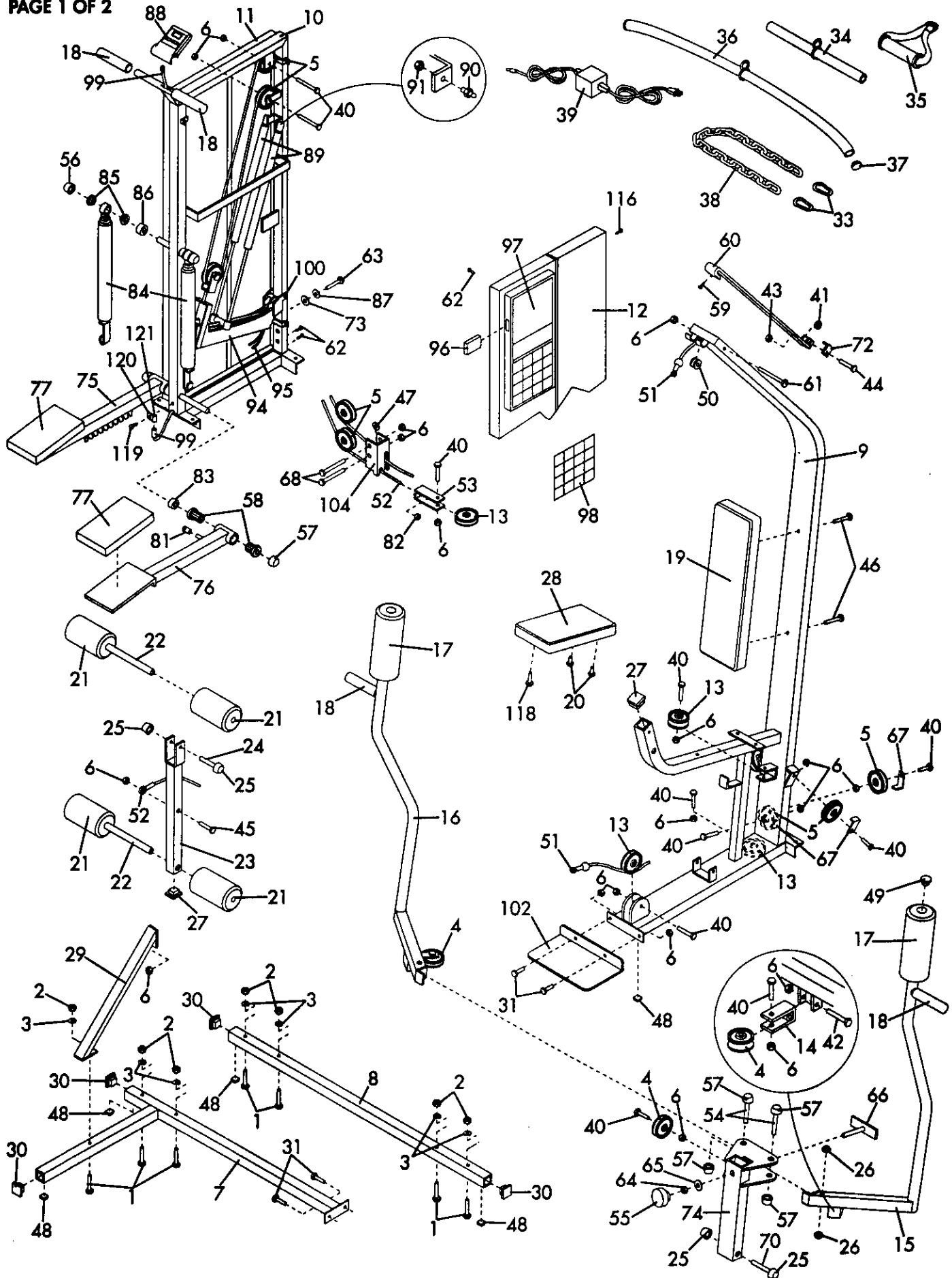


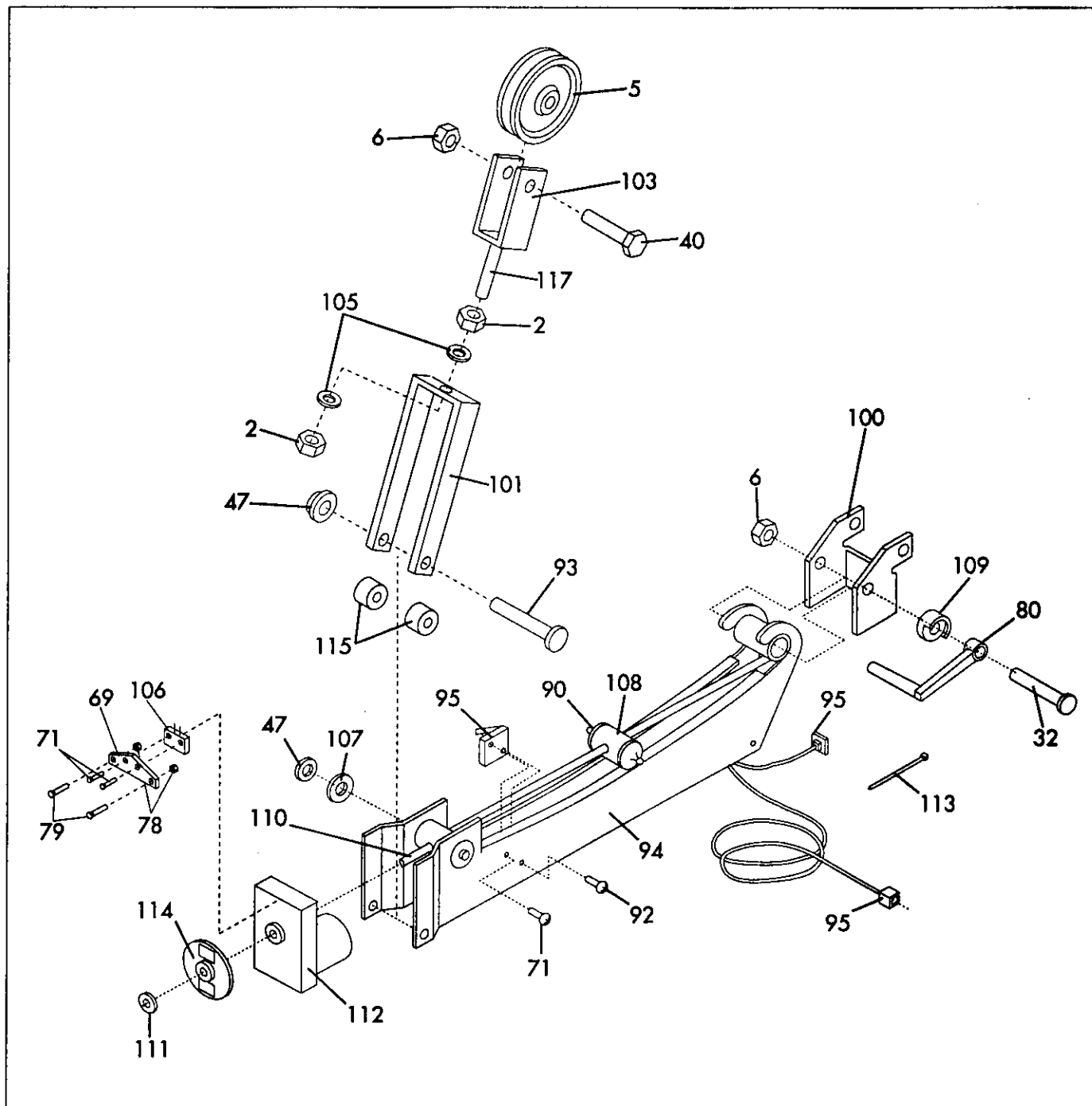
EXPLODED DRAWING—MODEL NO. DR852040

R494A

PAGE 1 OF 2



WEIGHT MECHANISM ASSEMBLY



MODEL NUMBER: DR85204
 VERSION: 00
 PRODUCT NAME: CROSS TRAINER
 PRODUCT DESC:

MODEL/PART BOOK LISTING

PAGE 1
 "INID23P1
 RUN DATE: 10/20/96
 RUN TIME: 13:47:23

KEY NUMBER	PART NUMBER	DESCRIPTION	QUANTITY
	.	PROFORM CROSS TRAINER	0
1	112003	3/8" X 2 1/2" CRG BOLT	8
2	112004	3/8" NUT	8
3	112006	3/8" LOCK WASHER	7
4	117737	2" PULLEY	2
5	115370	3 1/2" PULLEY	9
6	012149	3/8" NYLON NUT	24
7	117120	FRONT BASE	1
8	116746	REAR BASE	1
9	116742	UPRIGHT	1
10	NSP	TOWER FRAME	1
11	116912	LEFT SIDESHIELD W/DECAL	1
.	.	114893 LEFT SIDESHIELD	1
.	.	115553 SIDESHIELD DECAL	1
12	119584	RIGHT SIDESHIELD W/DECAL	1
.	.	118186 RIGHT SIDESHIELD	1
.	.	115553 SIDESHIELD DECAL	1
.	.	117508 DECAL, AI. DO NOT.	1
13	106480	2 3/4" PULLEY	4
14	117732	SWIVEL BRACKET	2
15	117908	LEFT BUTTERFLY ARM ASSY	1
.	.	117126 LT BUTTERFLY ARM	1
.	.	109989 BRASS BUSHING	2
.	.	103735 3/4" AXLECAP	2
.	.	111374 REPLACEMENT INSTR.	1
16	117909	RIGHT BUTTERFLY ARM ASSY	1
.	.	117124 RT BUTTERFLY ARM	1
.	.	109989 BRASS BUSHING	2
.	.	103735 3/4" AXLECAP	2
.	.	111374 REPLACEMENT INSTR.	1
17	114797	LARGE PAD	2
18	112560	VINYL GRIP	4
19	117104	BACKREST	1
20	013468	1/4" X 5/8" BOLT	2
21	114798	SMALL PAD	4
22	108726	PAD TUBE	2
23	117910	LEG EXTENSION ASSEMBLY	1
.	.	117130 LEG EXTENSION	1
.	.	103903 1/2" AXLECAP	2
.	.	111374 REPLACEMENT INSTR.	1
24	116913	1/2"X2 1/2" AXLE ASSEMBLY	1
.	.	100051 AXLE	1
.	.	103903 1/2" AXLECAP	2
.	.	111374 REPLACEMENT INSTR.	1
25	103903	1/2" AXLECAP	4
26	109989	3/4" BRASS BUSHING	4
27	103833	1 1/2" SQUARE ENDCAP	2
28	117099	SEAT	1
29	116149	STEPPER BRACE	1
30	108874	2" X 2" ENDCAP	4
31	117332	3/8" X 3/4" BOLT	4
32	106879	3/8 X 3" BOLT	1
33	103087	CABLE CLIP	2
34	107281	ROWER BAR	1

MODEL NUMBER: DR85204
 VERSION: 00
 PRODUCT NAME: CROSS TRAINER
 PRODUCT DESC:

MODEL/PART BOOK LISTING

PAGE 2
 INI023P1

RUN DATE: 10/23/96
 RUN TIME: 13:47:23

KEY NUMBER	PART NUMBER	DESCRIPTION	QUANTITY
35	115177	ANKLE STRAP	1
36	115115	LAT BAR	1
37	106526	3/4" ENDCAP	4
38	118004	CHAIN	1
39	109954	POWER CORD	1
40	013399	3/8" X 1 3/4" BOLT	14
41	115762	1" PULLEY	1
42	120003	3/8" X 3 1/2" BOLT	2
43	012139	1/4" NYLOC NUT	1
44	117106	1/4" X 1" SHOULDER BOLT	1
45	013578	3/8" X 2 1/4" BOLT	1
46	116185	1/4" X 2 1/2" BOLT	3
47	105496	3/8" PUSH NUT	3
48	129740	RUBBER BUMPER	5
49	115998	1 1/2" ROUND ENDCAP	2
50	117541	2" PULLEY	2
51	117927	MAIN CABLE	1
52	117926	WEIGHT CABLE	1
53	117260	ADJUSTMENT BRACKET	1
54	117913	3/4" X 4" AXLE ASSEMBLY	1
.	.	118117 AXLE	1
.	.	103735 3/4" AXLECAP	2
.	.	111374 REPLACEMENT INSTR.	1
55	117489	SELECTOR KNOB	1
.	.	NOTE: A 3MM ALLEN WRENCH	0
.	132283	#132283 MAY BE NEEDED	0
56	100151	5/8" AXLECAP	2
57	103735	3/4" AXLECAP	6
58	109867	PLASTIC BUSHING	4
59	013162	1/2" SCREW	1
60	116181	LONG PULLEY BRACKET	1
61	115260	3/8" X 6 1/2" BOLT	1
62	013322	3/4" SCREW	9
63	111064	3/8" X 2" FULL THREAD BOLT	1
64	012127	3/8" JAM NUT	1
65	114958	RUBBER WASHER	1
66	117127	SELECTOR PLATE	1
67	115257	CABLE TRAP BRACKET	4
68	013430	3/8" X 4" BOLT	2
69	116065	MECH REED SWITCH BRACKET	1
70	117904	1/2" X 4 1/2" AXLE ASSEMBLY	1
.	.	105277 1/2" X 4 1/2" AXLE	1
.	.	103903 1/2" AXLECAP	2
.	.	111374 REPLACEMENT INSTR.	1
71	113795	WEIGHT MECH FASTENER	4
72	116630	SMALL CABLE TRAP BRACKET	1
73	105133	3/8" NUT	1
74	117915	MOMENT ARM ASSEMBLY	1
.	.	117122 MOMENT ARM	1
.	.	103903 1/2" AXLECAP	2
.	.	103735 3/4" AXLECAP	4
.	.	117499 ARM DECAL	1
.	.	111374 REPLACEMENT INSTR.	1
75	117916	LEFT PEDAL ASSEMBLY	1

MODEL NUMBER: DR85204
 VERSION: 00
 PRODUCT NAME: CROSS TRAINER
 PRODUCT DESC:

MODEL/PART BOOK LISTING

PAGE 3
 INI023P1

RUN DATE: 10/23/96
 RUN TIME: 13:47:23

KEY NUMBER	PART NUMBER	DESCRIPTION	QUANTITY
.	.	117116 LEFT PEDAL	1
.	.	107148 PEDAL COVER	1
.	.	103735 AXLE CAP	1
.	.	100048 BUSHING	2
.	.	117538 PEDAL DECAL	1
.	.	105101 3/4" MTL SPCR	1
.	.	111374 REPLACEMENT INSTR.	1
76	117917	RIGHT PEDAL ASSEMBLY	1
.	.	117114 RIGHT PEDAL	1
.	.	107148 PEDAL COVER	1
.	.	103735 AXLECAP	1
.	.	100048 BUSHING	2
.	.	117538 PEDAL DECAL	1
.	.	105101 3/4" METAL SPACER	1
.	.	113349 MAGNET ASSY	1
.	.	111374 REPLACEMENT INSTR.	1
77	107148	PEDAL COVER ASSEMBLY	2
78	012135	NYLOC NUT	2
79	116109	7/8" SCREW	2
80	116048	ACTUATOR ARM	1
81	113349	MAGNET ASSEMBLY	1
82	012003	5/16" NUT	1
83	105101	3/4" METAL SPACER	2
84	116910	RESISTANCE CYLINDER	2
85	109872	5/8" BUSHING	4
86	117919	5/8" SPACER ASSEMBLY	2
.	.	116120 5/8" SPACER	1
.	.	100151 5/8" AXLECAP	1
.	.	111374 REPLACEMENT INSTR.	1
87	101149	3/8" FENDER WASHER	1
88	115126	STEPPER CONSOLE	1
89	107367	GAS SHOCK	2
90	105142	BALL JOINT FASTENER	4
91	012082	5/16" NYLOC NUT	2
92	013510	3/4" SELF-TAP SCREW	3
93	115100	3/8" X 3 1/2" CLEVIS PIN	1
94	117920	WEIGHT MECHANISM W/RI	1
.	.	117301 WEIGHT MECH	1
.	.	117884 REPLACEMENT INSTR.	1
94A	117303	MECH ARM	1
95	117921	WIRE HARNESS W/RI	1
.	.	117141 WIRE HARNESS	1
.	.	117885 REPLACEMENT INSTR.	1
96	115199	CUSTOM SMART CARD	1
97	117298	PERSONAL TRAINER COMPUTER	1
98	117323	POP-IN OVERLAY	1
99	117903	REED SWITCH WIRE	1
100	117305	MECH ADJUSTMENT BRACKET	1
101	117914	MECH CABLE BRACKET ASSY.	1
.	.	114634 MECH CABLE BRACKET	1
.	.	105496 3/8" PUSH NUT	1
.	.	111374 REPLACEMENT INSTR.	1
102	117037	FOOT PLATE	1
103	117263	U-BRACKET	1

MODEL NUMBER: DR85204
 VERSION: 00
 PRODUCT NAME: CROSS TRAINER
 PRODUCT DESC:

MODEL/PART BOOK LISTING

RUN DATE: 10/23/96
 RUN TIME: 13:47:23

KEY NUMBER	PART NUMBER	DESCRIPTION	QUANTITY
104	117881	CABLE STOP BRACKET	1
105	104345	STAR WASHER	2
106	115124	MECH REED SWITCH	1
107	014153	FLAT WASHER	1
108	109568	SLIDE NUT	1
109	116049	RETAINER CUP *	1
110	117905	LEAD SCREW ASSEMBLY	1
.	.	122273 LEAD SCREW	1
.	.	118167 RETAINER CLIP	1
.	.	118166 RETAINER WASHER	1
.	.	105119 CLIP RING	1
111	105122	5/16" PUSH NUT	1
112	115131	MECH MOTOR ASSEMBLY	1
.	.	115124 REED SWITCH WIRE	1
.	.	115123 MOTOR	1
.	.	115110 ENCODER DISK	1
113	016029	WIRE TIE	1
114	115110	MECH ENCODER DISK	1
115	019266	NYLON SPACER	2
116	117738	SIDE SHIELD FASTENER	8
117	123653	3/8" X 3" CARRIAGE BOLT	1
118	013498	1/4" X 2" BOLT	1
119	013300	3/4" SCREW	1
120	117701	REED SWITCH BRACKET	1
121	117900	REED SWITCH FASTENER	1
.	.	NON-ILLUSTRATED PARTS	0
#	132283	3MM ALLEN WRENCH	1
#	130897	SEAT TUBE HOLE FIX KIT	1
#	119828	UPRT NUT-SERT REPAIR KIT	1
#	115553	SIDESHIELD DECAL	2
#	117499	MOMENT ARM DECAL	1
#	117538	PEDAL DECAL	1
#	117508	DECAL, AI, DO NOT ..	1
#	NLA	LEG EXTENSION DECAL	1
#	113764	HOT! DO NOT TOUCH DECAL	1
#	033134	STEPPER CONSOLE BATTERY	2
#	106739	STEPPER CONSOLE CVR SCREW	2
#	119222	METAL SPACER	1
#	117837	VIDEO CASSETTE	1
#	111465	FITNESS JOURNAL	1
#	117164	OWNER'S MANUAL	1
#	117163	LITERATURE PACKET	1
.	.	117164 OWNER'S MANUAL	1
.	.	117912 PART LIST/EX DWG	1
.	.	115199 SMART CARD	1
.	.	116186 SMART CARD BROCHUR	1
.	.	117322 EXERCISES DECAL	1
.	.	111465 FITNESS JOURNAL	1
.	.	117837 VIDEO TRAIN GUIDE	1
.	.	117323 CUSTOM OVERLAY	1
#	117156	HARDWARE KIT-BLISTER PAK	1
.	.	112003 3/8"X2.5"CRG BOLT	7
.	.	118004 CHAIN	1
.	.	103087 CABLE CLIP	2

MODEL NUMBER: DR85204
 VERSION: 00
 PRODUCT NAME: CROSS TRAINER
 PRODUCT DESC:

MODEL/PART BOOK LISTING

PAGE # 5
 INI023P1

RUN DATE: 10/23/96
 RUN TIME: 13:47:23

KEY NUMBER	PART NUMBER	DESCRIPTION	QUANTITY
.	.	112004 3/8" NUT	7
.	.	012003 5/16" NUT	1
.	.	115177 STRAP	1
.	.	112006 3/8" LOCK WASHER	7
.	.	117332 3/8" X 3/4" SCREW	4
.	.	013468 1/4" X 5/8" SCREW	7
.	.	013498 1/4" X 2" SCREW	1
.	.	013399 3/8"X1 3/4" SCREW	7
.	.	115370 3 1/2" PULLEY	3
.	.	106480 2 3/4" PULLEY	1
.	.	117737 2" PULLEY	2
.	.	115257 CABLE TRAP BRACKET	3
.	.	019115 RUBBER BUMPER	5
.	.	118117 4" AXLE	2
.	.	103735 3/4" AXLECAP	5
.	.	013578 3/8"X2 1/4" SCREW	1
.	.	116185 1/4"X2 1/2" SCREW	2
.	.	012149 3/8" NUT	11
.	.	NOTE: THESE PREPROGRAMMED	0
.	.	SMART CARDS ARE AVAILABLE	0
.	.	FOR SEPARATE PURCHASE	0
.	.	DR80013 AGE 9-12 GENERAL	1
.	.	DR80023 AGE 13-16 MALE	1
.	.	DR80133 AGE 13-16 FEMALE	1
.	.	DR80033 AGE 17-35 MALE	1
.	.	DR80043 AGE 17-35 FEMALE	1
.	.	DR80053 AGE 36-55 MALE	1
.	.	DR80063 AGE 36-55 FEMALE	1
.	.	DR80073 AGE 56+ MALE	1
.	.	DR80083 AGE 56+ FEMALE	1
.	.	DR80093 RACKET SPORTS	1
.	.	DR80103 FIELD SPORTS	1
.	.	DR80113 TRACK SPORTS	1
.	.	DR80123 GOLF	1
.	.	*-THESE ARE ESTIMATED	0
.	.	COSTS!!!	0