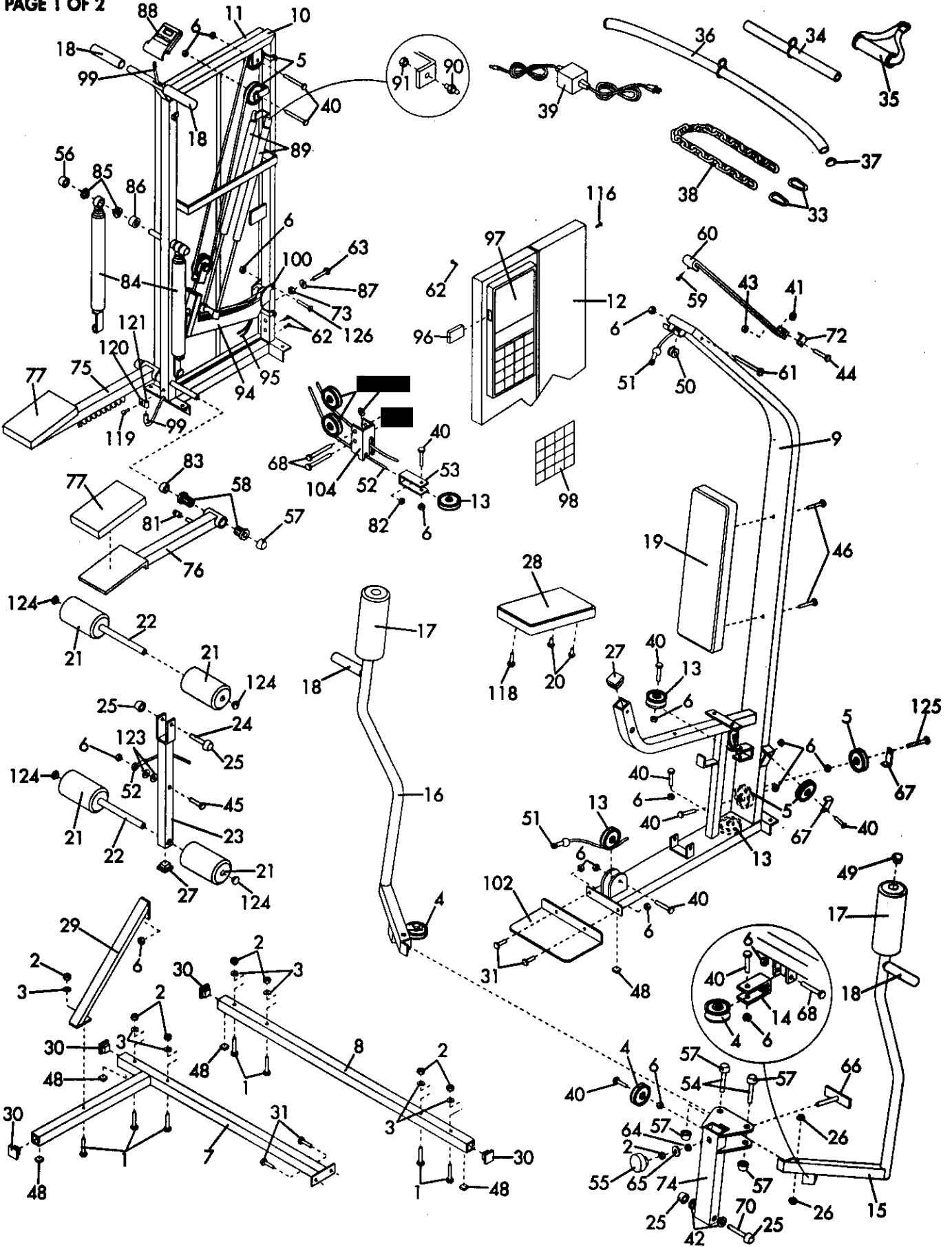


# EXPLODED DRAWING—MODEL NO. DR852044

R1294A

PAGE 1 OF 2

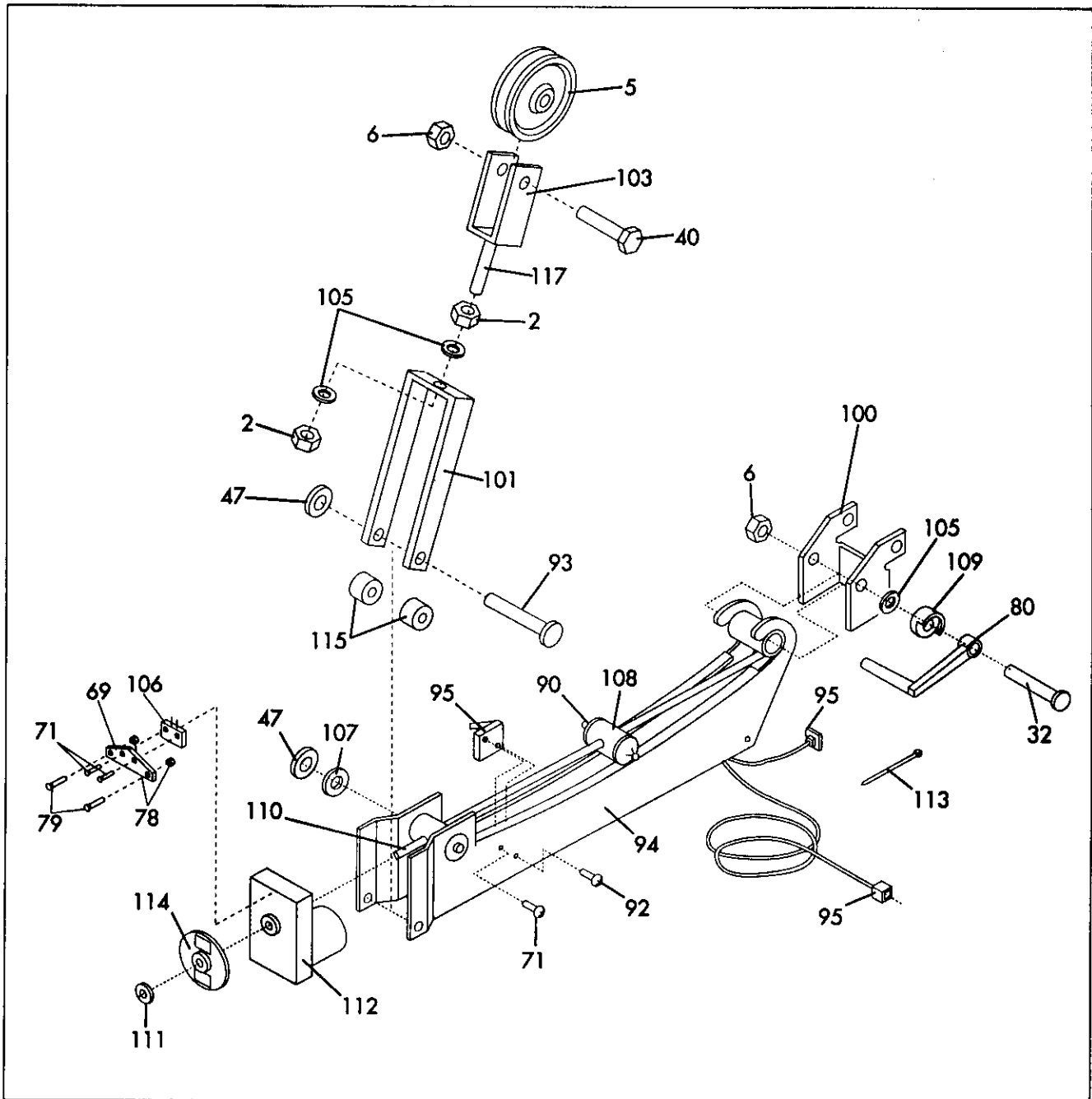


# EXPLODED DRAWING—MODEL NO. DR852044

R1294A

PAGE 2 OF 2

## WEIGHT MECHANISM ASSEMBLY



MODEL NUMBER: DR85204  
 VERSION: 04  
 PRODUCT NAME: CROSS TRAINER  
 PRODUCT DESC:

MODEL/PART BOOK LISTING

PAGE 1  
 INI023P1  
 RUN DATE: 10/23/96  
 RUN TIME: 13:48:05

KEY NUMBER	PART NUMBER	DESCRIPTION	QUANTITY
	.	PROFORM CROSS TRAINER	0
1	112003	3/8" X 2 1/2" CARR BOLT	7
2	112004	3/8" NUT	9
3	112006	3/8" LOCK WASHER	7
4	117737	2" PULLEY	3
5	115370	3 1/2" PULLEY	9
6	012149	3/8" NYLON NUT	25
7	117120	FRONT BASE	1
8	116746	REAR BASE	1
9	119827	UPRIGHT W/HARDWARE	1
10	NSP	TOWER FRAME	1
11	119583	LEFT SIDESHIELD W/DECAL	1
.	.	118187 LEFT SIDESHIELD	1
.	.	115553 SIDESHIELD DECAL	1
12	119584	RIGHT SIDESHIELD W/DECAL	1
.	.	118186 RIGHT SIDESHIELD	1
.	.	115553 SIDESHIELD DECAL	1
.	.	117508 DECAL, AI. DO NOT.	1
13	106480	2 3/4" PULLEY	4
14	117732	SWIVEL BRACKET	2
15	117908	LEFT COMBO ARM ASSEMBLY	1
.	.	117126 LEFT COMBO ARM	1
.	.	109989 BRASS BUSHING	2
.	.	103735 3/4" AXLECAP	2
.	.	111374 REPLACEMENT INSTR.	1
16	117909	RIGHT COMBO ARM ASSEMBLY	1
.	.	117124 RIGHT COMBO ARM	1
.	.	109989 BRASS BUSHING	2
.	.	103735 3/4" AXLECAP	2
.	.	111374 REPLACEMENT INSTR.	1
17	114797	LARGE PAD	2
18	112560	VINYL GRIP	4
19	117104	BACKREST	1
20	013468	1/4" X 5/8" BOLT	2
21	114798	SMALL PAD	4
22	108726	PAD TUBE	2
23	117910	LEG EXTENSION ASSEMBLY	1
.	.	117130 LEG EXTENSION	1
.	.	103903 1/2" AXLECAP	2
.	.	111374 REPLACEMENT INSTR.	1
24	116913	1/2"X2 1/2" AXLE ASSEMBLY	1
.	.	100051 AXLE	1
.	.	103903 1/2" AXLECAP	2
.	.	111374 REPLACEMENT INSTR.	1
25	103903	1/2" AXLECAP	4
26	109989	3/4" BRASS BUSHING	4
27	103833	1 1/2" X 1 1/2" SQ ENDCAP	2
28	117099	SEAT	1
29	116149	STEPPER BRACE	1
30	108874	2" X 2" ENDCAP	4
31	117332	3/8" X 3/4" BOLT	4
32	106879	3/8 X 3" BOLT	1
33	103087	CABLE CLIP	2
34	107281	ROWER BAR	1

MODEL NUMBER: DR85204  
 VERSION: 04  
 PRODUCT NAME: CROSS TRAINER  
 PRODUCT DESC:

MODEL/PART BOOK LISTING

RUN DATE: 10/23/96  
 RUN TIME: 13:48:05

KEY NUMBER	PART NUMBER	DESCRIPTION	QUANTITY
35	115177	ANKLE STRAP	1
36	115115	LAT BAR	1
37	106526	1 1/4" ENDCAP	4
38	118004	CHAIN	1
39	109954	POWER CORD	1
40	013399	3/8" X 1 3/4" BOLT	12
41	115762	1" PULLEY	1
42	111000	1/2" BRASS BUSHING	2
43	012090	1/4" NYLON LOCKNUT	1
44	117106	1/4" X 1" SHOULDER BOLT	1
45	013581	3/8" X 2 1/2" BOLT	1
46	116185	1/4" X 2 1/2" BOLT	3
47	105496	3/8" PUSH NUT	4
48	129740	RUBBER BUMPER	5
49	115998	1 1/2" ROUND ENDCAP	2
50	117541	2" THICK PULLEY	2
51	117927	MAIN CABLE	1
52	117926	WEIGHT CABLE	1
53	117260	ADJUSTMENT BRACKET	1
54	117913	3/4" X 4" L AXLE ASSEMBLY	1
.	.	118117 AXLE	1
.	.	103735 3/4" AXLECAP	2
.	.	111374 REPLACEMENT INSTR.	1
55	117489	SELECTOR KNOB	1
.	.	NOTE: A 3MM ALLEN WRENCH	1
.	132283	#132283 MAY BE NEEDED.	0
56	100151	5/8" AXLECAP	2
57	103735	3/4" AXLECAP	6
58	100048	PLASTIC BUSHING	4
59	013162	1/2" SCREW	3
60	116181	LONG PULLEY BRACKET	1
61	115260	3/8" X 6 1/2" BOLT	1
62	013322	3/4" SCREW	10
63	116215	3/8" X 1 1/2" FLL THRD BLT	1
64	014132	3/8" FLAT WASHER	1
65	114958	RUBBER WASHER	1
66	117127	SELECTOR PLATE	1
67	115257	CABLE TRAP BRACKET	4
68	013430	3/8" X 4" BOLT	2
69	116065	MECH REED SWITCH BRACKET	1
70	120825	1/2" X 4 1/2" AXLE ASSY	1
.	.	118118 AXLE	1
.	.	111000 1/2" BUSHING	2
.	.	103903 1/2" AXLECAP	2
.	.	111374 REPLACEMENT INSTR.	1
71	113795	WEIGHT MECH FASTENER	4
72	116630	SMALL CABLE TRAP BRACKET	1
73	105133	3/8" ZINC NYLOC JAM NUT	1
74	119865	MOMENT ARM ASSEMBLY	1
.	.	118470 MOMENT ARM	1
.	.	103903 1/2" AXLECAP	2
.	.	103735 3/4" AXLECAP	4
.	.	117499 ARM DECAL	1
.	.	111374 REPLACEMENT INSTR.	1

MODEL NUMBER: DR85204  
VERSION: 04  
PRODUCT NAME: CROSS TRAINER  
PRODUCT DESC:

MODEL/PART BOOK LISTING

PAGE 3  
INI023P1  
RUN DATE: 10/23/96  
RUN TIME: 13:48:05

KEY NUMBER	PART NUMBER	DESCRIPTION	QUANTITY
75	117916	LEFT PEDAL ASSEMBLY	1
.	.	117116 LEFT PEDAL	1
.	.	107148 PEDAL COVER	1
.	.	103735 AXLECAP	1
.	.	100048 BUSHING	2
.	.	117538 PEDAL DECAL	1
.	.	105101 3/4" MTL SPCR	1
.	.	111374 REPLACEMENT INSTR.	1
76	117917	RIGHT PEDAL ASSEMBLY	1
.	.	117114 RIGHT PEDAL	1
.	.	107148 PEDAL COVER	1
.	.	103735 AXLECAP	1
.	.	100048 BUSHING	2
.	.	117538 PEDAL DECAL	1
.	.	105101 3/4" METAL SPACER	1
.	.	113349 MAGNET ASSY	1
.	.	111374 REPLACEMENT INSTR.	1
77	107148	PEDAL COVER ASSEMBLY	2
78	012135	NYLOC NUT	2
79	116109	7/8" SCREW	2
80	116048	ACTUATOR ARM	1
81	113349	MAGNET ASSEMBLY	1
82	012003	5/16" NUT	1
83	105101	3/4" METAL SPACER	2
84	116910	RESISTANCE CYLINDER ASSY	2
.	.	109398 RESIST. CYLINDER	1
.	.	100151 AXLECAP	1
.	.	111374 REPLACEMENT INSTR.	1
85	109872	5/8" BUSHING W/AXLECAP	4
.	.	109399 BUSHING	1
.	.	100151 AXLECAP	1
86	116120	5/8" SPACER ASSEMBLY	2
87	101149	3/8" FENDER WASHER	1
88	115126	STEPPER CONSOLE	1
89	105136	GAS SHOCK	2
90	105142	BALL JOINT FASTENER	4
91	012082	5/16" NYLOC NUT	2
92	013510	3/4" SELF-TAP SCREW	3
93	115100	3/8" X 4" CLEVIS PIN	1
94	117920	WEIGHT MECHANISM W/RI	1
.	.	117301 WEIGHT MECH	1
.	.	117884 REPLACEMENT INSTR.	1
94A	117303	MECH ARM	1
95	117921	WIRE HARNESS W/RI	1
.	.	117141 WIRE HARNESS	1
.	.	117885 REPLACEMENT INSTR.	1
96	115199	CUSTOM SMART CARD	1
97	117298	PERSONAL TRAINER COMPUTER	1
98	117323	POP-IN OVERLAY	1
99	117903	REED SWITCH WIRE	1
100	117305	MECH ADJUSTMENT BRACKET	1
101	117914	MECH CABLE BRACKET ASSY.	1
.	.	114634 MECH CABLE BRACKET	1
.	.	105496 3/8" PUSH NUT	1

MODEL NUMBER: DR85204  
 VERSION: 04  
 PRODUCT NAME: CROSS TRAINER  
 PRODUCT DESC:

MODEL/PART BOOK LISTING

RUN DATE: 10/23/96  
 RUN TIME: 13:48:05

KEY NUMBER	PART NUMBER	DESCRIPTION	QUANTITY
.	.	111374 REPLACEMENT INSTR.	1
102	117037	FOOT PLATE	1
103	117262	U-BRACKET	1
104	123537	CABLE BRACKET	1
105	104345	STAR WASHER	2
106	115124	MECH REED SWITCH	1
107	014153	FLAT WASHER	1
108	109568	SLIDE NUT	1
109	116049	RETAINER CUP	1
110	123954	LEAD SCREW ASSEMBLY	1
.	.	122273 LEAD SCREW	1
.	.	109568 SLIDE NUT	1
.	.	118167 THRUST CLIP	1
.	.	118166 THRUST WASHER	1
.	.	122406 BRAKE CLIP	1
.	.	117462 THRUST WASHER	1
111	105122	5/16" PUSH NUT	1
112	115123	MECH MOTOR	1
113	016029	WIRE TIE	1
114	115110	MECH ENCODER DISK	1
115	019266	NYLON SPACER	2
116	117738	SIDE SHIELD FASTENER	8
117	123653	3/8" X 3" CARRIAGE BOLT	1
118	013498	1/4" X 2" BOLT	1
119	013300	3/4" SCREW	0
120	117900	REED SWITCH BRACKET	1
121	117701	REED SWITCH FASTENER	1
122	122629	3/4" X 1 1/4" SPACER	1
123	106832	FLAT NYLON WASHER	1
124	116571	3/4" ENDCAP	4
125	104049	3/8" X 3 1/2" BOLT	1
126	112001	3/8" X 3" BOLT	1
.	.	NON-ILLUSTRATED PARTS:	0
#	132283	3MM ALLEN WRENCH	1
#	130897	SEAT TUBE HOLE FIX KIT	1
#	119828	UPRT NUT-SERT REPAIR KIT	1
#	115553	SIDESHIELD DECAL	2
#	117499	MOMENT ARM DECAL	1
#	117538	PEDAL DECAL	1
#	117508	DECAL,AI,DO NOT ..	1
#	NLA	LEG EXTENSION DECAL	1
#	113764	HOT! DO NOT TOUCH DECAL	1
#	107622	DON'T ADJUST BOLT DECAL	1
#	120014	CAUTION LAT BAR DECAL	1
#	033134	STEPPER CONSOLE BATTERY	2
#	106739	STEPPER CONSOLE CVR SCREW	2
#	119585	VIDEO CASSETTE	1
#	111465	FITNESS JOURNAL	1
#	123540	PART LIST/EXPLODED DWG	1
#	116186	SMART CARD LITERATURE	1
#	123539	OWNER'S MANUAL	1
#	123545	LITERATURE PACKET	1
.	.	123539 OWNER'S MANUAL	1
.	.	115199 SMART CARD	1

MODEL NUMBER: DR85204  
 VERSION: 04  
 PRODUCT NAME: CROSS TRAINER  
 PRODUCT DESC:

MODEL/PART BOOK LISTING

PAGE 5  
 INI023P1

RUN DATE: 10/23/96  
 RUN TIME: 13:48:05

KEY NUMBER	PART NUMBER	DESCRIPTION	QUANTITY
.	.	116186 SMART CARD LIT	1
.	.	117322 DECAL SHEET-CUSTOM	1
.	.	111465 FITNESS JOURNAL	1
.	.	123540 PART LIST/DIAGRAM	1
.	.	117323 POP-IN OVERLAY	1
.	.	119585 VIDEO TRAINING	1
.	.	119953 CN-WRONG BOLT	1
.	118468	HARDWARE KIT-BLISTER PAK	1
.	.	112003 3/8"X2.5"CRG. BOLT	7
.	.	118004 CHAIN	1
.	.	103087 CABLE CLIP	2
.	.	112004 3/8" NUT	7
.	.	012003 5/16" NUT	1
.	.	115177 ANKLE STRAP	1
.	.	112006 3/8" LOCK WASHER	7
.	.	117332 3/8" X 3/4" SCREW	4
.	.	013399 3/8" X 1 3/4" SCRW	6
.	.	115370 3 1/2" PULLEY	3
.	.	106480 2 3/4" PULLEY	1
.	.	117737 2" PULLEY	3
.	.	115257 CABLE TRAP BRACKET	2
.	.	019115 RUBBER BUMPER	5
.	.	118117 4" AXLE	2
.	.	103735 3/4" AXLECAP	4
.	.	013581 3/8"X2.5" SCREW	1
.	.	116185 1/4"X2 1/2" SCREW	2
.	.	012149 3/8" NUT	11
.	.	013468 1/4" X 5/8" SCREW	2
.	.	013498 1/4" X 2" SCREW	1
.	.	121636 LIT,AXLECAP ASSY	1
.	.	106832 FLAT WASHER	2
#	.	NOTE: PARTS BOX IS NSP	0
#	.	PARTS MUST BE ORDERED	0
#	.	INDIVIDUALLY!!!!	0
.	.	HARDWARE KIT/PARTS BOX	0
.	.	112560 VINYL GRIP	2
.	.	117126 LEFT ARM COMBO	1
.	.	117124 RIGHT ARM COMBO	1
.	.	117732 SIVEL BRACKET	2
.	.	116149 STEPPER BRACKET	1
.	.	107281 ROWING ARM	1
.	.	115115 LAT BAR	1
.	.	013430 3/8" X 4" SCREW	2
.	.	012149 3/8" NYLON LOCKNUT	2
.	.	114797 FOAM PAD	2
.	.	114798 FOAM PAD	4
.	.	117099 SEAT	1
.	.	117037 FOOT PLATE	1
.	.	116571 3/4" ENDCAP	2
.	.	117104 BACKREST	1
.	.	109954 POWER CORD	1
.	.	106526 1.25" ENDCAP	2
.	.	115998 1.5" ENDCAP	2
.	.	108726 PAD TUBE	2

MODEL NUMBER: DR85204  
 VERSION: 04  
 PRODUCT NAME: CROSS TRAINER  
 PRODUCT DESC:

MODEL/PART BOOK LISTING

PAGE 6  
 INI023P1  
 RUN DATE: 10/23/96  
 RUN TIME: 13:48:05

KEY NUMBER	PART NUMBER	DESCRIPTION	QUANTITY
.	.	NOTE: THESE PREPROGRAMMED	0
.	.	SMART CARDS ARE AVAILABLE	0
.	.	FOR SEPARATE PURCHASE	0
.	.	DR80013 AGE 9-12 GENERAL	1
.	.	DR80023 AGE 13-16 MALE	1
.	.	DR80133 AGE 13-16 FEMALE	1
.	.	DR80033 AGE 17-35 MALE	1
.	.	DR80043 AGE 17-35 FEMALE	1
.	.	DR80053 AGE 36-55 MALE	1
.	.	DR80063 AGE 36-55 FEMALE	1
.	.	DR80073 AGE 56+ MALE	1
.	.	DR80083 AGE 56+ FEMALE	1
.	.	DR80093 RACKET SPORTS	1
.	.	DR80103 FIELD SPORTS	1
.	.	DR80113 TRACK SPORTS	1
.	.	DR80123 GOLF	1
.	.	*--THESE ARE ESTIMATED	0
.	.	COSTS!!!	0