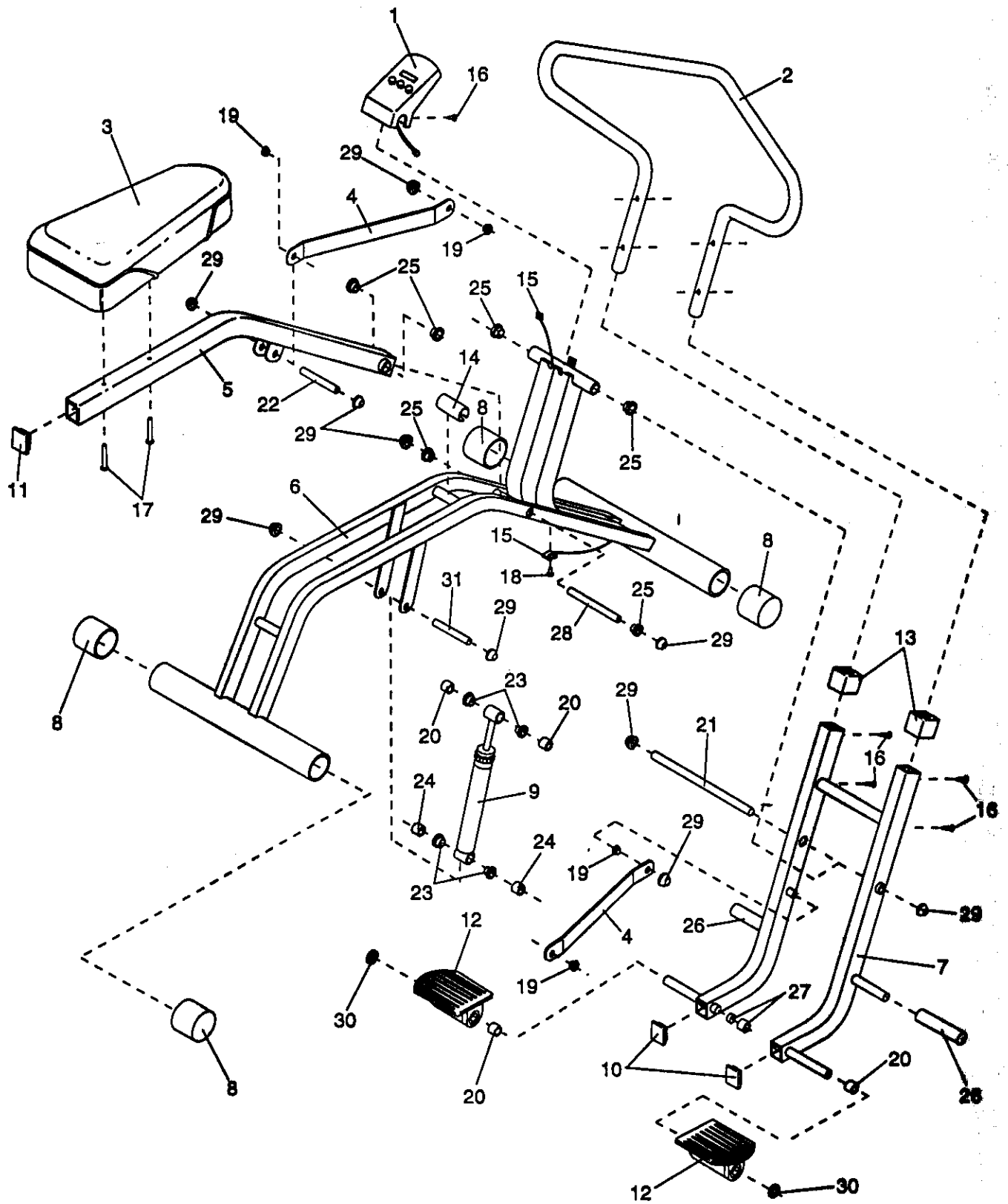


EXPLODED DRAWING—Model No. DRMC00344

R0305A



MODEL NUMBER: DRMC0034
 VERSION: 04
 PRODUCT NAME: CARDIO GLIDE
 PRODUCT DESC:

MODEL/PART BOOK LISTING

RUN DATE: 1/12/97
 RUN TIME: 19:36:51

KEY NUMBER	PART NUMBER	DESCRIPTION	QUANTITY
	.	CARDIO GLIDE	0
1	127104	MONITOR	1
2	117529	HANDLEBAR	1
3	117511	SEAT	1
4	126341	LINK ARM W/HARDWARE	2
5	127757	SEAT TUBE W/HARDWARE	1
6	NSP	FRAME	1
7	124733	PEDAL FRAME ASSEMBLY	1
.	.	122379 PEDAL FRAME	1
.	.	124732 CN-ASSY INSTR.	1
.	.	012155 PUSHNUT	2
.	.	103903 AXLECAP	4
.	.	111374 CN-AXLECAP	1
8	130656	ENDCAP	4
9	123216	RESISTANCE CYLINDER ASSY	1
.	.	117555 RESISTANCE CYL.	1
.	.	103903 AXLECAP	4
.	.	121636 LIT, AXLECAP	1
10	117545	1 1/4" X 1 1/4" ENDCAP	2
11	117544	1 1/2" X 2" ENDCAP	1
12	126286	PEDAL	2
13	125390	DOMED ENDCAP	2
14	122296	BUMPER	1
15	124434	REED SWITCH/SENSOR WIRE	1
16	013162	#8 X 1/2" SCREW	5
17	013498	1/4" X 2" SCREW	2
18	013300	#8 X 3/4" SCREW	1
19	103677	1/2" LINK ARM BUSHING	4
20	117509	3/8" SPACER	4
21	128165	1/2" X 11.5" ROD W/HDWR	1
22	127758	1/2" X 3 1/2" ROD W/HDWR	1
23	106876	1/2" CYLINDER BUSHING	2
24	117510	15/16" SPACER	2
25	110576	1/2" PIVOT BUSHING	6
26	118904	FOOT PEG GRIP	2
27	113349	MAGNET/RETAINER	1
28	124341	1/2" X 6.5" AXLE W/HDWR	1
29	103903	1/2" DOME AXLECAP	6
30	012155	1/2" PUSH NUT	2
.	.	NOTE: IF PEDAL TOOL IS	0
.	.	NEEDED SEND ASSY# 127781.	0
31	127781	1/2" X 4" AXLE W/HDWR	1
.	.	NON-ILLUSTRATED PARTS	0
#	132272	BATTERY COVER	1
#	125453	PEDAL TOOL	1
#	136086	CAUTION DECAL	1
#	109591	CAUTION HOT! DECAL	1
#	118144	DIAL RESISTANCE DECAL	1
#	118102	STABILIZER DECAL	1
#	104838	GREASE	1
#	106739	CONSOLE SCREW	2
#	119236	WORKOUT CHART	1
#	123703	OWNERS' S MANUAL	1
#	123802	HARDWARE KIT	1

MODEL NUMBER: DRMC0034
VERSION: 04
PRODUCT NAME: CARDIO GLIDE
PRODUCT DESC:

MODEL/PART BOOK LISTING

PAGE 2
INI023P1
RUN DATE: 2/22/97
RUN TIME: 19:36:51

KEY NUMBER	PART NUMBER	DESCRIPTION	QUANTITY
.	.	103903 AXLECAP	5
.	.	013162 SCREW	5
.	.	125453 PEDAL TOOL	1
.	.	012155 PUSH NUT	4
.	.	104838 GREASE	1
.	.	110576 BUSHING	2
.	.	117552 PIVOT ROD	1
.	.	117509 PLASTIC SPACER	2
.	.	121636 LIT, AXLECAP	1
.	.	125390 ENDCAP	2
#	123708	LITERATURE PACKET	1
.	.	123703 OWNER'S MANUAL	1
.	.	119236 WORKOUT CHART	1