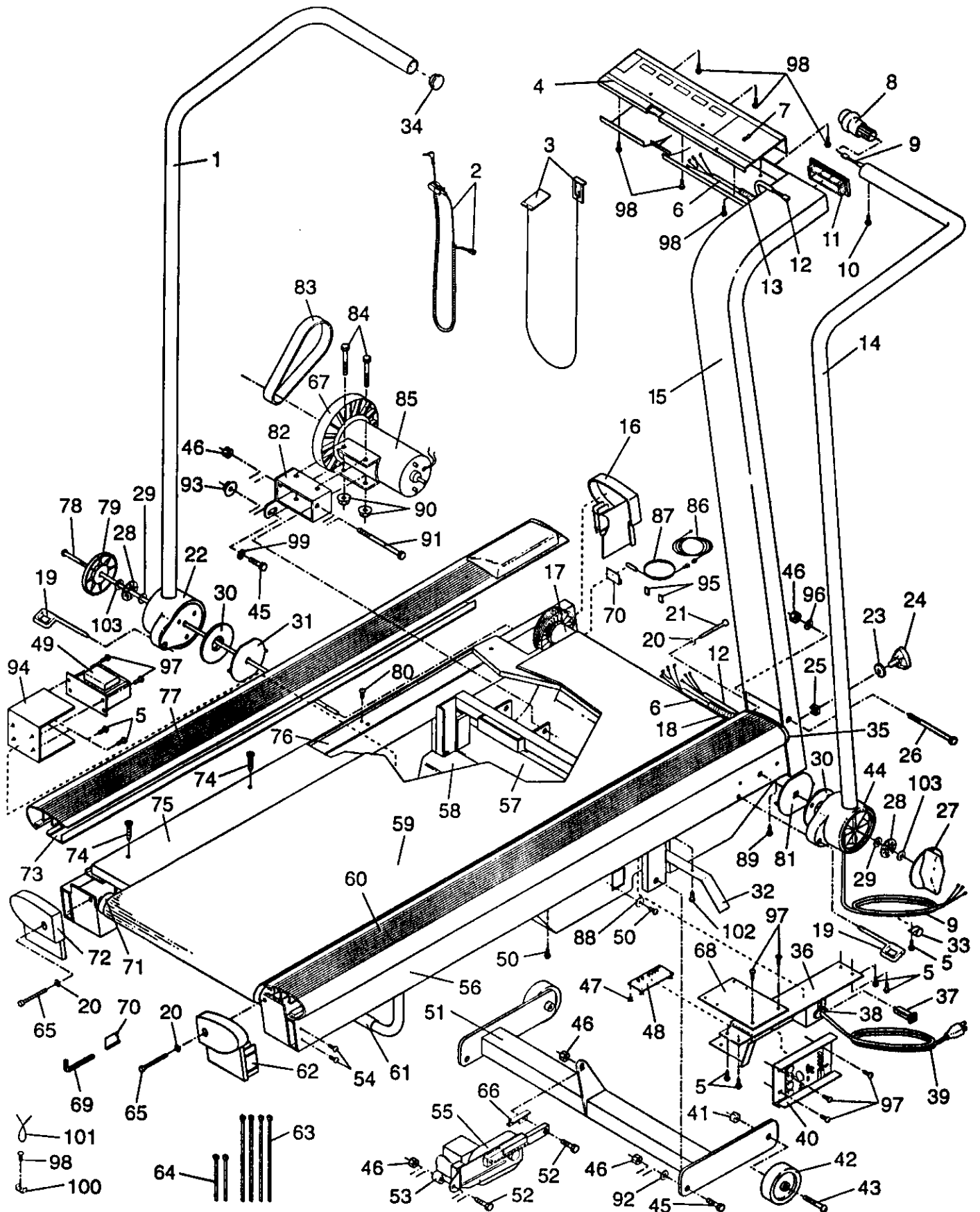


EXPLODED DRAWING—Model No. DRTL00740

R295A



MODEL NUMBER: DRTL0074
VERSION: 00
PRODUCT NAME: CROSSWALK PLUS
PRODUCT DESC:

MODEL/PART BOOK LISTING

PAGE 1
INI023P1
RUN DATE: 3/07/97
RUN TIME: 20:37:57

KEY NUMBER	PART NUMBER	DESCRIPTION	QUANTITY
.	.	CROSS WALK PLUS	0
1	120448	LT DUAL ACTION ARM/HOUSNG	1
.	.	116637 LEFT SIDERAIL	1
.	.	122989 FRICTION CUP	1
2	119946	PULSE EARCLIP/CLOTHES CLP	1
3	114265	SAFETY KEY/CLIP	1
4	120436	CONSOLE ASSEMBLY	1
.	.	116564 CONSOLE	1
.	.	120435 REPLACEMENT INSTR.	1
.	.	031108 SWITCH	1
5	108080	SCREW	6
6	115856	POWER SWITCH WIRE	1
7	031108	INCLINE CONTROL SWITCH	1
8	116569	SPEED CONTROL	1
9	118156	SPEED CONTROL WIRE	1
10	121204	SPEED KNOB SCREW	1
11	118140	UPRIGHT ENDCAP	1
12	120966	LIFT WIRE	1
13	109520	6" CABLE LOOM	1
14	120449	RT DUAL ACTION ARM/HOUSNG	1
.	.	116638 RIGHT SIDERAIL	1
.	.	122990 FRICTION CUP	1
15	116671	UPRIGHT	1
16	116599	FRONT LEFT ENDCAP	1
17	120847	FRONT ROLLER/PULLEY W/RI	1
.	.	120846 FR RLR/PULY ASSY	1
.	.	120444 REPLACEMENT INSTR.	1
18	103643	12" CABLE LOOM	1
19	122946	LOCK PIN	2
20	014127	ROLLER ADJUST WASHER	3
21	013186	FRONT ROLLER ADJUST BOLT	1
22	122989	LEFT HOUSING ASSEMBLY	1
23	014156	UPRIGHT KNOB WASHER	1
24	017088	UPRIGHT KNOB	1
25	111869	CAGE NUT	1
26	013485	HINGE BOLT	1
27	118089	RESISTANCE CONTROL	1
28	106896	THRUST BEARING	2
29	102973	THRUST WASHER	3
30	122811	LEATHER FRICTION PLATE	2
31	116673	LEFT FRICTION PLATE	1
32	118148	BELT GUIDE	1
33	115872	STRAIN RELIEF	1
34	114005	DUAL ACTION ARM ENDCAP	1
35	116649	FRONT RIGHT ENDCAP	1
36	117941	ELECTRONICS MOUNTING BKT	1
37	109382	CIRCUIT BREAKER	1
38	019084	POWER CORD GROMMET	1
39	031229	POWER CORD	1
40	136255	CONTROLLER W/RI	1
41	012056	FRONT WHEEL NUT	2
42	052014	FRONT WHEEL	2
43	117806	WHEEL BOLT	2
44	122990	RIGHT HOUSING ASSEMBLY	1

MODEL NUMBER: DRTL0074
VERSION: 00
PRODUCT NAME: CROSSWALK PLUS
PRODUCT DESC:

MODEL/PART BOOK LISTING

PAGE 2
INI023P1

RUN DATE: 3/07/97
RUN TIME: 20:37:57

KEY NUMBER	PART NUMBER	DESCRIPTION	QUANTITY
45	013547	INCLINE LEG/MTR LOCK BOLT	3
46	012149	LOCK NUT	6
47	125819	PLASTIC STAND-OFF	4
48	111205	LIFT BOARD ASSEMBLY	1
.	.	105988 CIRCUIT BOARD	1
.	.	125819 LOCK PIN	4
.	.	112097 REPLACEMENT INSTR.	1
49	109365	CHOKER	1
50	013162	BELLY PAN SCREW	14
51	116677	INCLINE LEG	1
52	119375	INCLINE MOTOR BOLT	2
53	114270	LIFT MOTOR SPACER	1
54	013028	REAR ENDCAP SCREW	4
55	115523	INCLINE MOTOR	1
56	NSP	FRAME	1
57	122312	FRONT SAFETY COVER	1
58	123731	BACK SAFETY COVER ASSY	1
.	.	116679 BACK SAFETY COVER	1
.	.	123753 WIRE DIAGRAM	1
59	130475	WALKING BELT W/RI	1
60	116762	RIGHT FOOT RAIL	1
61	110407	REAR LEG PAD	1
62	116601	RIGHT REAR ENDCAP	1
63	016057	8" CABLE TIE	1
64	016029	4" CABLE TIE	2
65	105444	REAR ROLLER ADJUST BOLT	2
66	118049	INCLINE MOTOR BRACKET	1
67	108277	PULLEY/FLYWHEEL/FAN	1
68	119651	METAL PLATE	1
69	126040	ALLEN WRENCH	1
70	016028	WRENCH CLIP	2
71	109788	REAR ROLLER W/RI	1
.	.	105264 REAR ROLLER	1
.	.	103847 REPLACEMENT INSTR.	1
72	116600	LEFT REAR ENDCAP	1
73	123730	FOOT RAIL MOUNTING TRACK	2
.	.	122327 BRACKET	1
.	.	127860 NAIL	6
.	.	120442 REPLACEMENT INSTR.	1
74	100691	PLATFORM SCREW	8
75	123728	WALKING PLATFORM ASSY	1
.	.	116642 WALKING PLATFORM	1
.	.	118571 BRACKET	2
.	.	127860 NAIL	12
.	.	120325 REPLACEMENT INSTR.	1
76	118571	PLATFORM SHIM	2
77	120452	LEFT FOOT RAIL ASSEMBLY	1
.	.	116761 GUARD	1
.	.	119128 COVER	1
.	.	013516 SCREW	4
78	116681	RESISTANCE BOLT	1
79	118088	RESISTANCE HOUSING CAP	1
80	013088	SHIM SCREW	8
81	116672	RIGHT FRICTION PLATE	1

MODEL NUMBER: DRTL0074
 VERSION: 00
 PRODUCT NAME: CROSSWALK PLUS
 PRODUCT DESC:

MODEL/PART BOOK LISTING

PAGE 3
 INI023P1
 RUN DATE: 3/07/97
 RUN TIME: 20:37:57

KEY NUMBER	PART NUMBER	DESCRIPTION	QUANTITY
82	122644	MOTOR MOUNTING BKT W/RI	1
.	.	121588 MOTOR SWIVEL BKT	1
.	.	120739 REPLACEMENT INSTR.	1
83	118016	BELT	1
84	123385	MOTOR BOLT	2
85	120713	MOTOR W/RI	1
.	.	124184 MOTOR	1
.	.	120712 REPLACEMENT INSTR.	1
85A	123732	MOTOR/PULLEY/FAN/FLYWHEEL	1
.	.	124184 MOTOR	1
.	.	108277 PULLEY/FAN/FLYWHEL	1
.	.	120712 REPLACEMENT INSTR.	1
86	118152	REED SWTCH EXTENSION WIRE	1
87	118153	REED SWITCH WIRE	1
88	104188	SAFETY COVER WASHER	2
89	013300	LONG SAFETY COVER SCREW	1
90	105477	MOTOR NUT	2
91	107503	MOTOR SWIVEL BOLT	1
92	014086	FLAT WASHER	3
93	120867	MOTOR LOCK NUT	1
94	120909	CHOKE BRACKET	1
95	054023	WIRE CLIP	2
96	014132	UPRIGHT PIVOT WASHER	1
97	120866	ELECTRONICS SCREW	7
98	013141	CONSOLE SCREW	6
99	122812	HARDENED WASHER	2
100	116927	TIE HOLDER	1
101	116926	TIE	1
102	120630	BELT GUIDE SCREW	3
103	122812	RESISTANCE WASHER	2
.	.	NON-ILLUSTRATED PARTS	0
#	NLA	BATTERY	2
#	129416	POTENTIOMETER	1
#	110402	BATTERY COVER	1
#	115869	14" BLUE WIRE, MALE/FEMALE	1
#	112083	8" BLUE WIRE, 2 FEMALE	1
#	118204	8" BLUE WIRE, MALE/FEMALE	1
#	120872	14" WHITE WIRE, 2MALE/FEML	1
#	101897	14" WHITE WIRE, 2 FEMALE	1
#	120873	14" BLACK WIRE, MALE/FEMAL	1
#	101799	9" BLACK WIRE, MALE/FEMALE	1
#	118201	8" RED WIRE, MALE/FEMALE	1
#	118163	LEFT FRAME DECAL	1
#	118164	RIGHT FRAME DECAL	1
#	123753	WIRE DIAGRAM DECAL	1
#	113203	CABLE GUARD	1
#	119622	OWNER'S MANUAL	1
.	119624	LITERATURE PACKET	1
.	.	119622 OWNER'S MANUAL	1
.	.	112589 PULSE/CLOTHES CLIP	1
.	.	122946 LOCK PIN	2
.	.	017088 KNOB	1
.	.	123598 HARDWARE KIT	1
.	.	016028 CLAMP	1

MODEL NUMBER: DRTL0074
VERSION: 00
PRODUCT NAME: CROSSWALK PLUS
PRODUCT DESC:

MODEL/PART BOOK LISTING

PAGE 4
INI023P1

RUN DATE: 3/07/97
RUN TIME: 20:37:57

KEY NUMBER	PART NUMBER	DESCRIPTION	QUANTITY
.	.	126040 3/16" ALLEN WRNCH	1
.	.	014156 FLAT WASHER	1