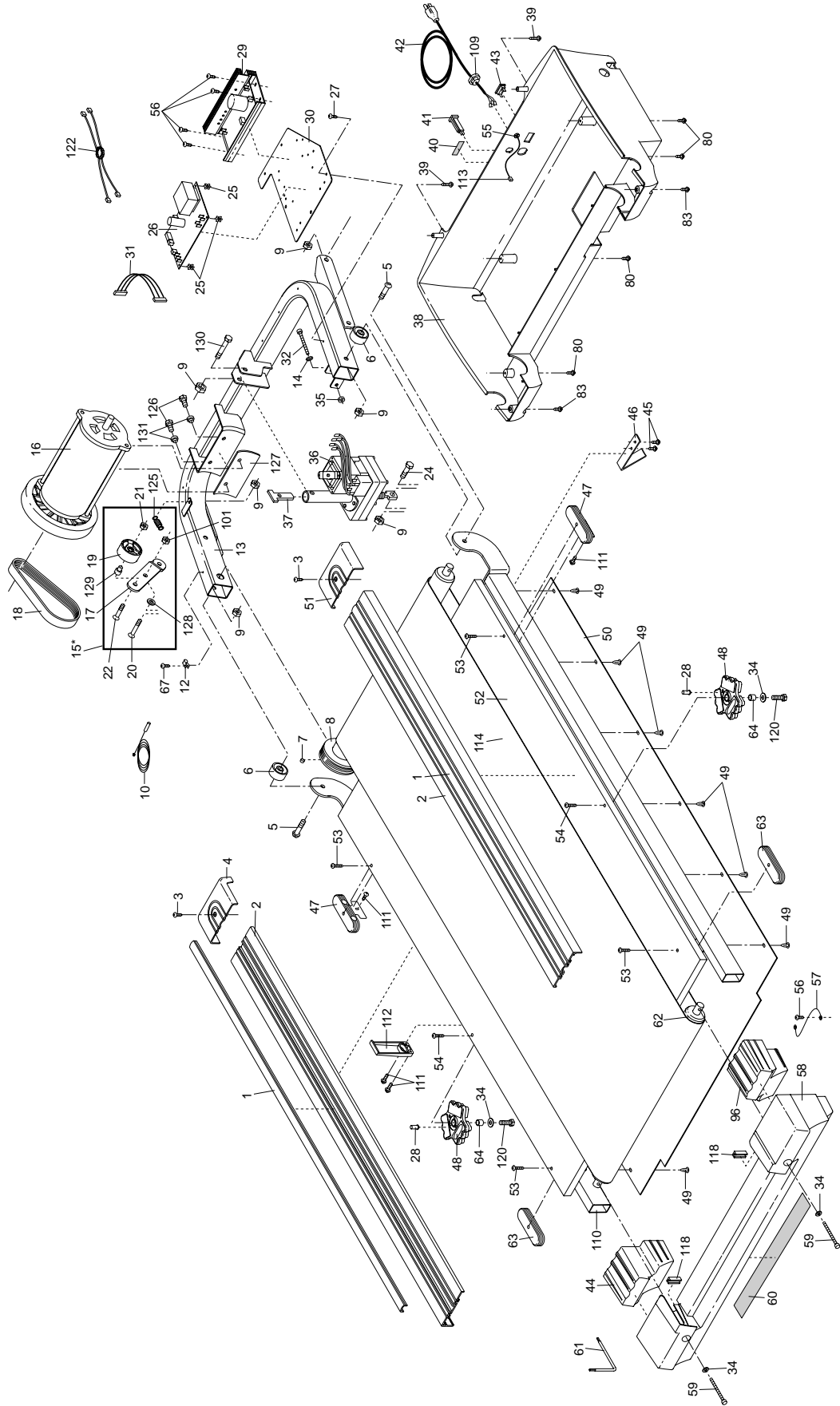


# EXPLODED DRAWING—Model No. DRTL13720

R1202A



To identify the parts shown on this exploded drawing, see the PART LIST on page 23 of the USER'S MANUAL.

# EXPLODED DRAWING—Model No. DRTL13720

R1202A

