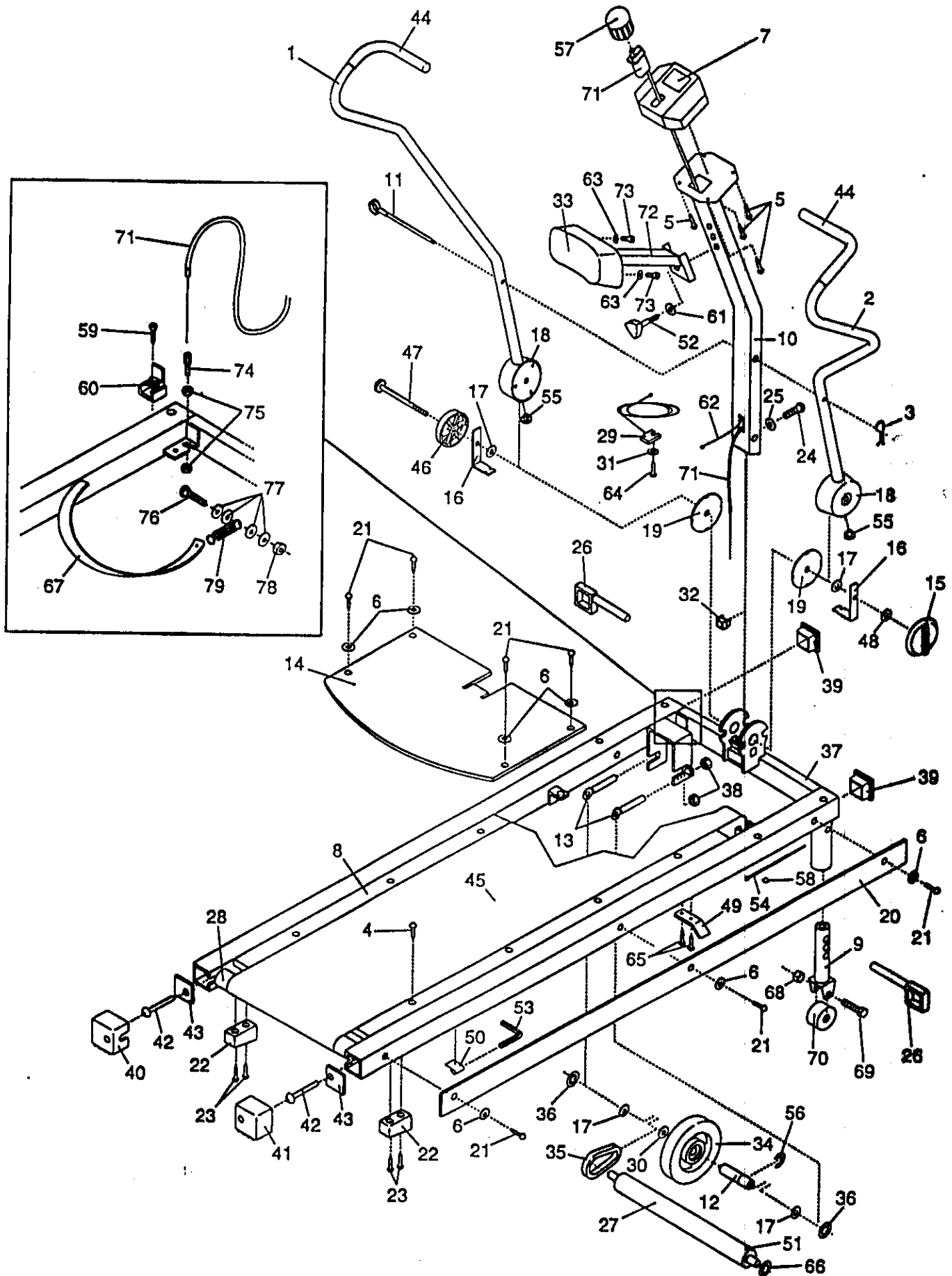


EXPLODED DRAWING—Model No. DRTL15050

Rev. 10/95



MODEL NUMBER: DRTL1505
VERSION: 00
PRODUCT NAME: WESLO CARDIO WALK
PRODUCT DESC:

MODEL/PART BOOK LISTING

INI023P1
RUN DATE: 4/29/96
RUN TIME: 17:35:01

KEY NUMBER	PART NUMBER	DESCRIPTION	QUANTITY
	.	WESLO CARDIO WALK	0
1	126487	LT UPPER BODY ARM W/FOAM	1
2	126548	RT UPPER BODY ARM W/FOAM	1
3	015044	HAIRPIN COTTER	1
4	126034	PLATFORM SCREW	8
5	013576	SCREW	4
6	125328	#8 FINISH WASHER	10
7	127631	CONSOLE	1
8	126547	WALKING BOARD W/FASTENERS	1
9	127358	INCLINE LEG	2
10	126549	UPRIGHT	1
11	121544	LOCK PIN	1
12	128198	FLYWHEEL AXLE W/HARDWARE	1
13	104536	EYEBOLT	2
14	126550	HOOD	1
15	116693	ARM RESISTANCE CONTROL	1
16	110193	FRICITION BRACKET	2
17	014087	WASHER	4
18	126397	UPPER BODY ARM HOUSING	2
19	116673	FRICITION PLATE	2
20	125486	SIDE TRIM	2
21	125705	#8 FLAT HEAD SCREW	10
22	125213	REAR FOOT	2
23	125214	REAR FOOT SCREW	4
24	013583	UPRIGHT BOLT	1
25	104188	UPRIGHT FLAT WASHER	1
26	122946	INCLINE PIN	2
27	126388	FRONT ROLLER	1
28	126389	REAR ROLLER	1
29	126937	REED SWITCH/SENSOR WIRE	1
30	014168	NYLON WASHER	2
31	014088	STAR WASHER	1
32	125708	CAGE NUT	1
33	125467	ABDOMINAL PAD	1
34	128108	FLYWHEEL	1
35	125191	FLYWHEEL BELT	1
36	105496	RETAINER	2
37	NSP	FRAME	1
38	012139	NUT	2
39	108874	FRAME CAP	2
40	124964	LEFT ENDCAP	1
41	124965	RIGHT ENDCAP	1
42	013206	REAR ROLLER ADJ BOLT	2
43	124993	ADJUSTMENT PLATE	2
44	125721	FOAM GRIP	2
45	126551	WALKING BELT W/FASTENERS	1
46	121269	FRICITION COVER	1
47	124987	PIVOT BOLT	1
48	014156	CONTROL WASHER	1
49	109265	BELT GUIDE	2
50	016028	WRENCH CLIP	1
51	100498	MAGNET	1
52	017088	PAD KNOB	1
53	126040	ALLEN WRENCH	1

MODEL NUMBER: DRTL1505
VERSION: 00
PRODUCT NAME: WESLO CARDIO WALK
PRODUCT DESC:

MODEL/PART BOOK LISTING

PAGE 2
INI023P1

RUN DATE: 4/29/96
RUN TIME: 17:35:01

KEY NUMBER	PART NUMBER	DESCRIPTION	QUANTITY
54	016057	CABLE TIE	1
55	112013	ARM CAP	2
56	125679	E-RING	1
57	128697	SPEED CONTROL	1
58	016017	CABLE TIE CLIP	1
59	013162	RESISTANCE CLAMP SCREW	1
60	050001	RESISTANCE CLAMP	1
61	105495	KNOB WASHER	1
62	118332	REED SWITCH EXT WIRE	2
63	014126	ABDOMINAL PAD WASHER	2
64	108080	REED SWITCH SCREW	1
65	120630	BELT GUIDE SCREW	4
66	125823	ROLLER PUSH NUT	1
67	127633	RESISTANCE BELT	1
68	012149	INCLINE WHEEL NUT	2
69	013399	INCLINE WHEEL BOLT	2
70	052012	INCLINE WHEEL	2
71	.	SEE KEY# 57	1
72	125462	ABDOMINAL PAD EXTENSION	1
73	013505	ABDOMINAL PAD BOLT	2
74	013326	CABLE ADJUSTMENT SCREW	1
75	012009	CABLE ADJUSTMENT NUT	2
76	013009	CABLE CLAMP BOLT	1
77	014003	CABLE CLAMP WASHER	4
78	012003	CABLE CLAMP NUT	1
79	105434	RESISTANCE SPRING	1
.	.	NON-ILLUSTRATED PARTS	0
#	129741	BATTERY COVER	1
#	125075	USER'S MANUAL	1
#	125076	LITERATURE PACKET	1
.	.	125075 USER'S MANUAL	1
#	125548	HARDWARE KIT	1
.	.	122946 LOCKING PIN	2
.	.	017088 LOCK KNOB	1
.	.	105495 3/8" WASHER	1
.	.	104188 1/4" WASHER	1
.	.	013583 3/4" SCREW	1
.	.	123355 WRENCH	1
.	.	016028 WRENCH CLIP	1
.	.	121544 LOCK PIN	1
.	.	015044 HAIRPIN COTTER	1