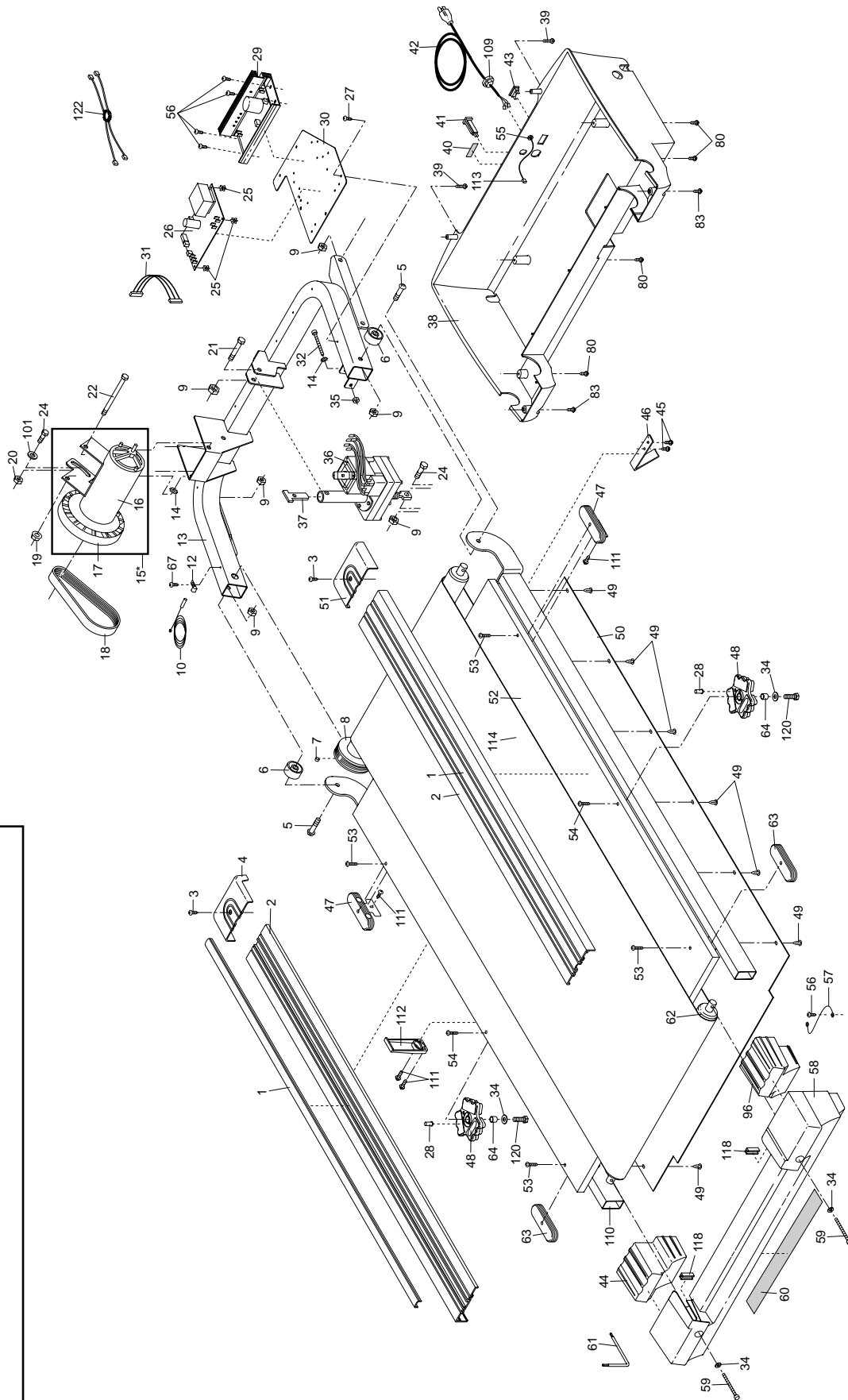


EXPLODED DRAWING—Model No. DRTL99720

R1102A



To identify the parts shown on this exploded drawing, see the PART LIST on page 23 of the USER'S MANUAL.

EXPLODED DRAWING—Model No. DRTL99720

R1102A

