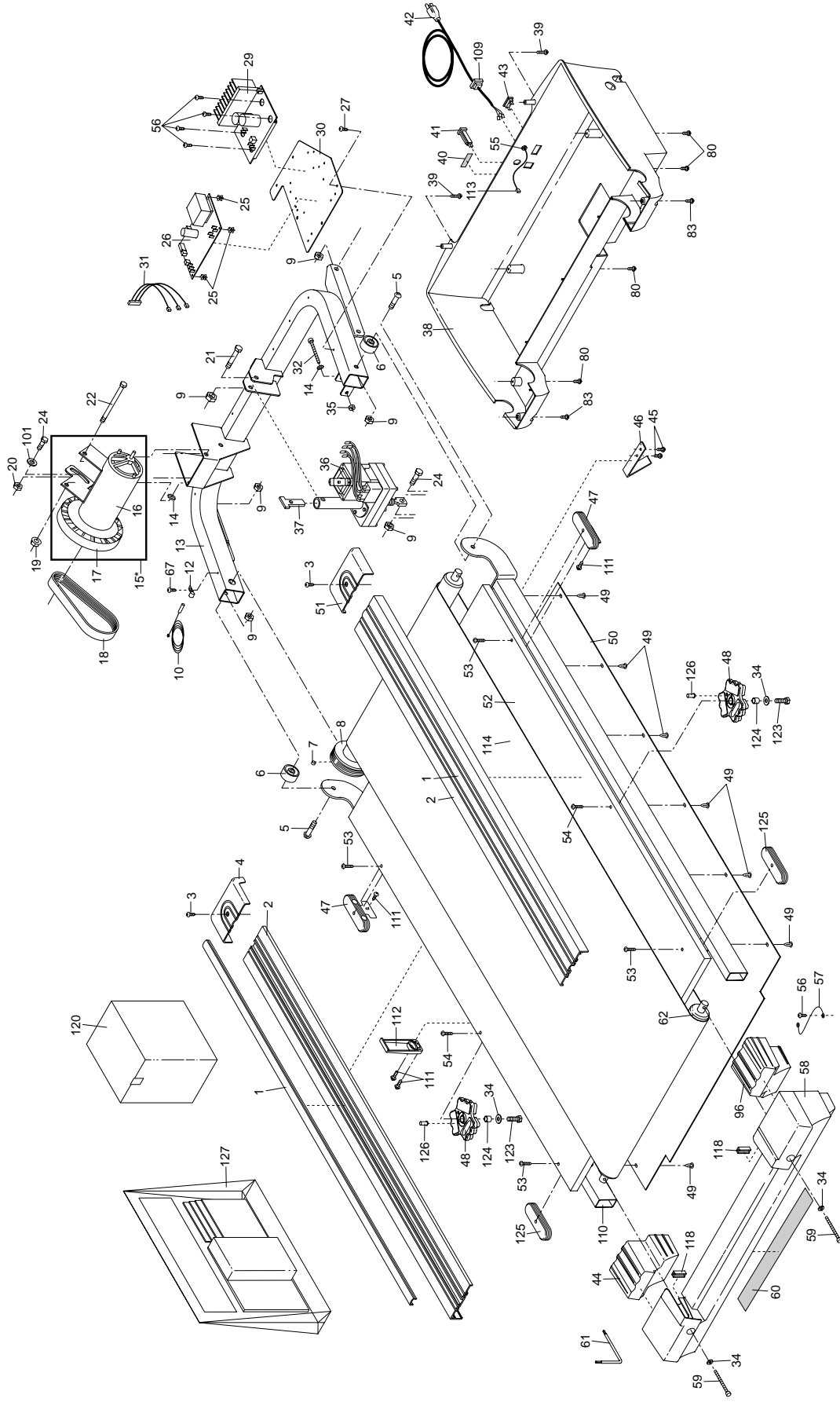


# EXPLODED DRAWING—Model No. DRTL99810

R0102A



# EXPLODED DRAWING—Model No. DRTL99810

R0102A

