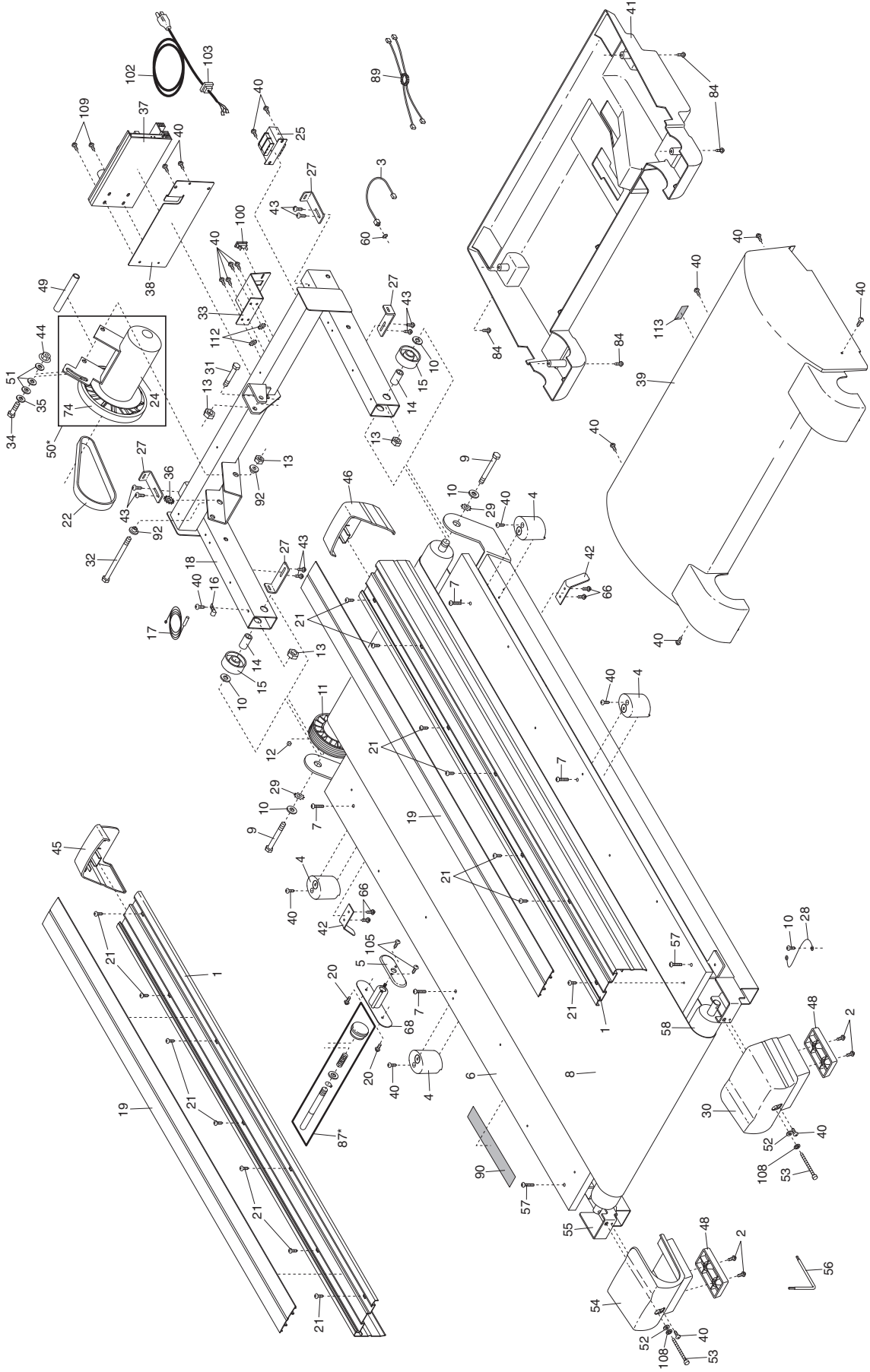


EXPLODED DRAWING—Model No. DTL73942

R0304A



EXPLODED DRAWING—Model No. DTL73942

R0304A

