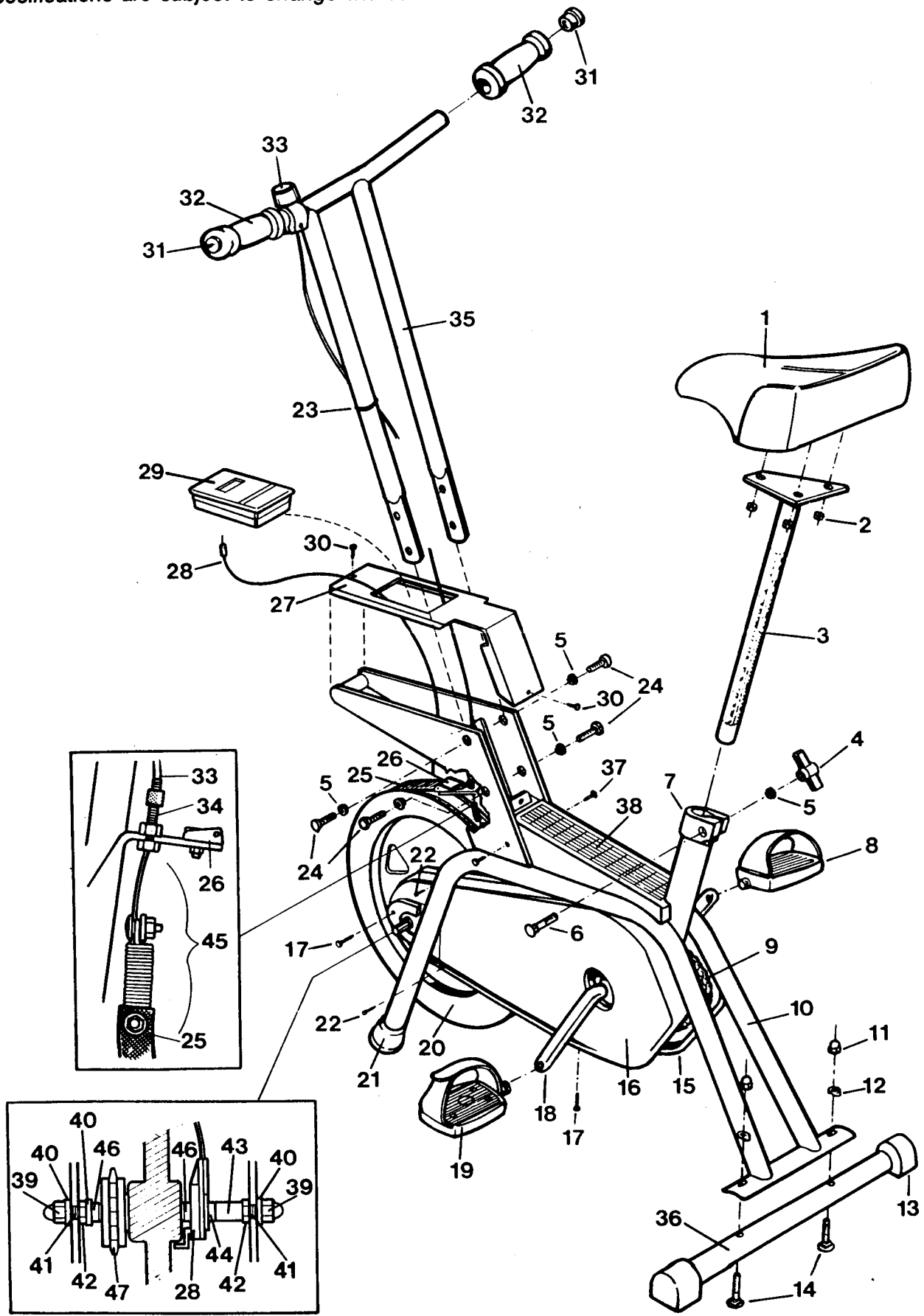


EXPLODED DRAWING - Model No. EB730

*Specifications are subject to change without notice.



PART LIST - Model No. EB730

Key No.	Qty.	Description	Key No.	Qty.	Description
1	1	Seat	26	1	Tension Buckle
2	3	Seat Nut	27	1	Console Hood
3	1	Seat Post	28	1	Monitor Wire w/Drive
4	1	T-Wingnut	29	1	Electric Console
5	5	Step Washer	30	2	Console Hood Screw
6	1	Clamp Bolt	31	2	Handgrip Cap
7	1	Aluminum Clamp	32	2	Handrip
8	1	Right Pedal	33	1	Resistance Control Knob w/Cable
9	1	Chain	34	1	Hollow Bolt
10	1	Frame	35	1	Handlebar
11	2	Acorn Nut	36	1	Rear Leg
12	2	Molded Washer	37	2	Hood Screw
13	2	Rear Rubber Cap	38	1	Plastic Hood
14	2	Carriage Bolt	39	2	Acorn Nut
15	1	Right Chain Guard	40	3	Washer
16	1	Left Chain Guard	41	1	Axle
17	4	Chain Guard Screw	42	2	Thin Nut
18	1	Crank w/Sprocket	43	1	Large Spacer
19	1	Left Pedal	44	1	Spacer
20	1	Flywheel	45	1	Tension Strap Assembly
21	2	Front Rubber Cap	46	2	Tapered Spacer
22	4	Small Chain Guard Screw	47	1	Small Sprocket
23	1	Cable Clip		1	Owner's Manual
24	4	Handlebar Screw		1	Electronic Operation Guide
25	1	Tension Belt			

Replacement parts can be ordered by calling our Customer Service Department toll-free at **1-800-999-3756**, (in Canada **1-800-824-8949**), during regular business hours: Monday - Friday, 6 a.m. - 6 p.m., Mountain Time. When ordering parts, please refer to the product name and model number, and the key number and description of the part needed.

ADJUSTMENTS

SEAT HEIGHT ADJUSTMENT

Proper seat height is important for efficient exercise. When you pedal the bike, there should be a slight bend in your knees when the pedals are at their lowest position. To adjust the seat height:

1. Turn the t-wingnut on the seat clamp counterclockwise until the seat post can be raised or lowered.
2. Adjust the seat to the desired height. The seat post must be inserted a minimum of 2 inches.
3. Firmly retighten the t-wingnut.