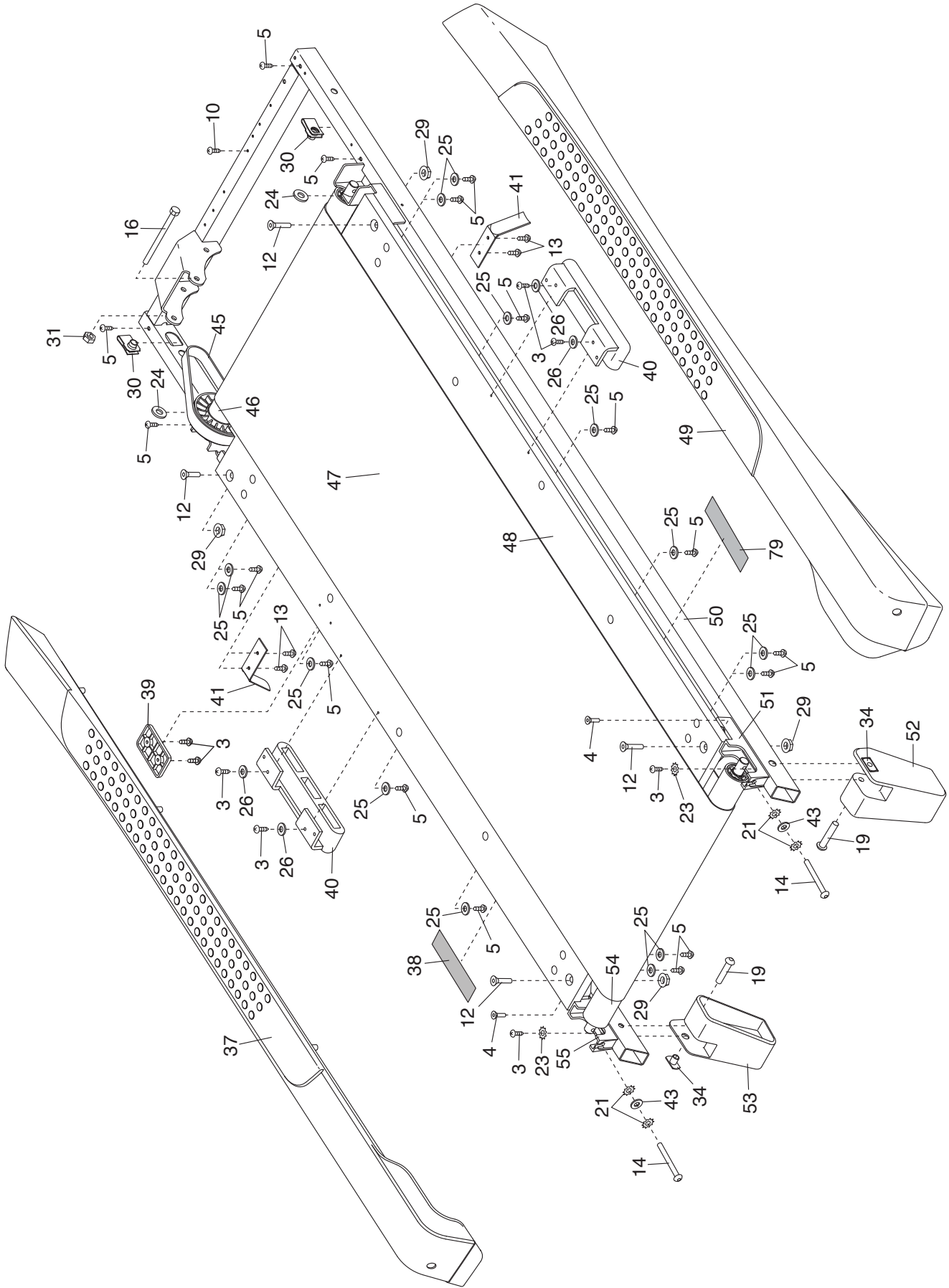


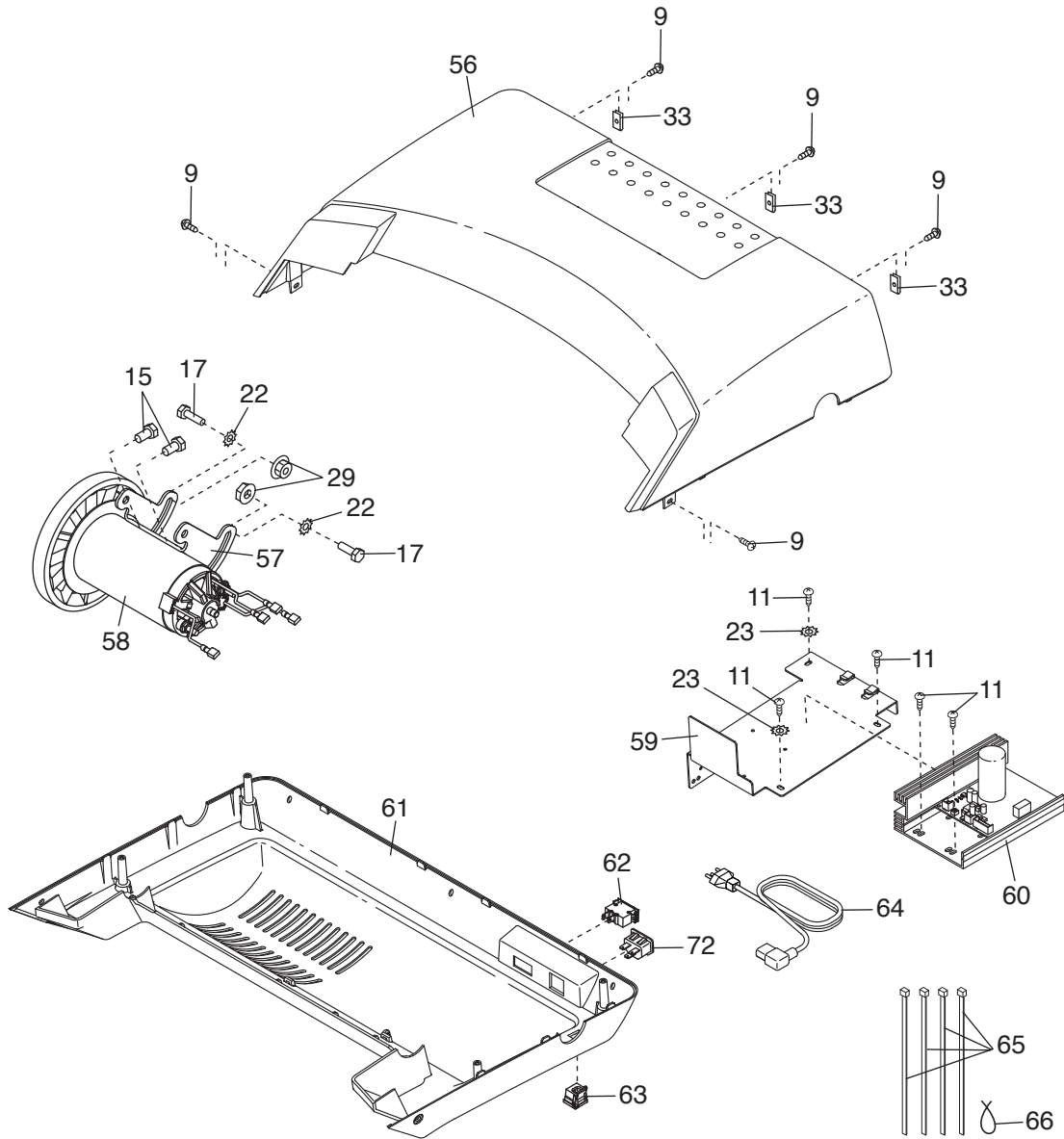
# EXPLODED DRAWING A

Model No. EBRETL29614.1 R0414A



# EXPLODED DRAWING B

Model No. EBRETL29614.1 R0414A



# EXPLODED DRAWING C

Model No. EBRETL29614.1 R0414A

