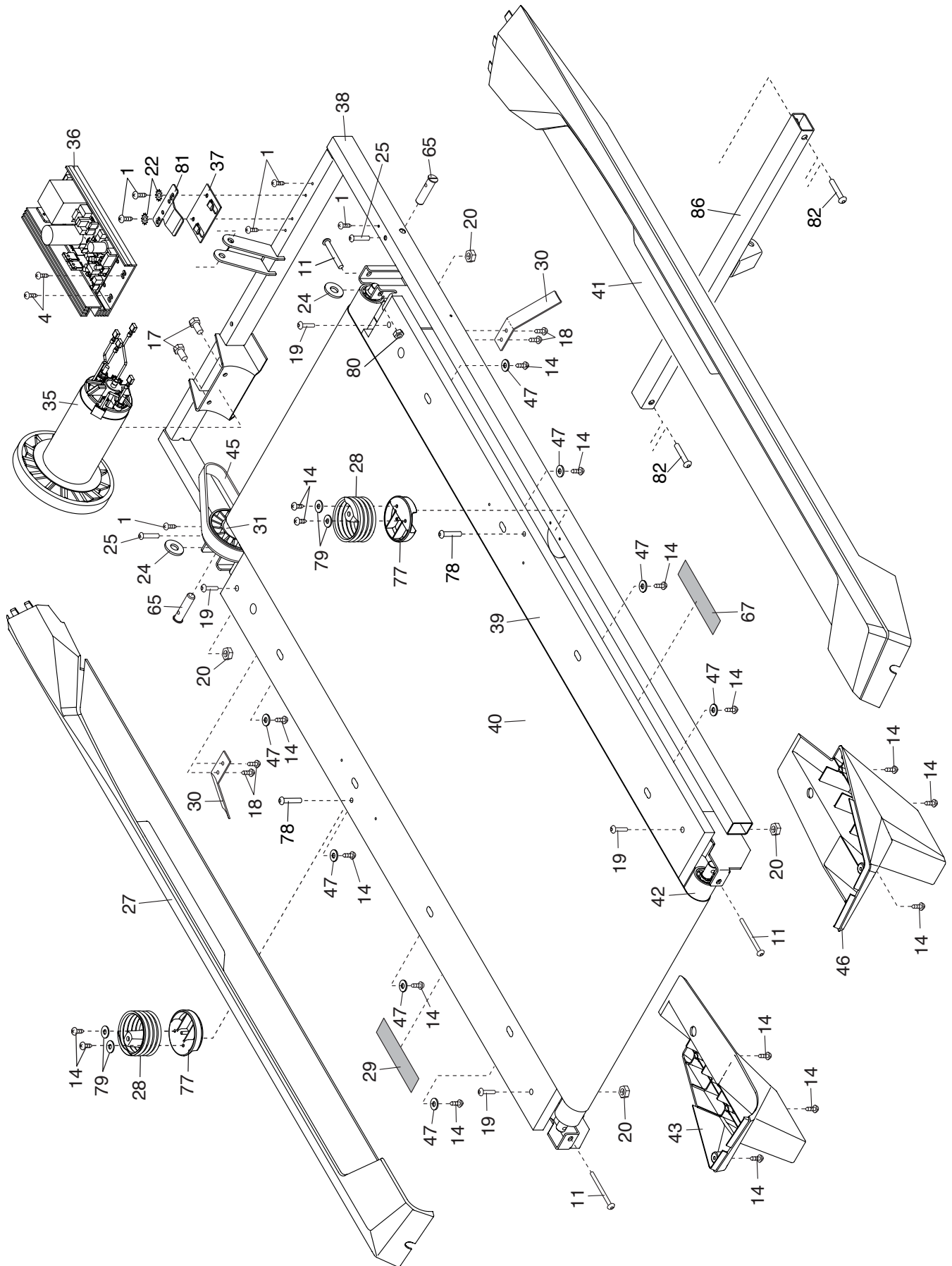


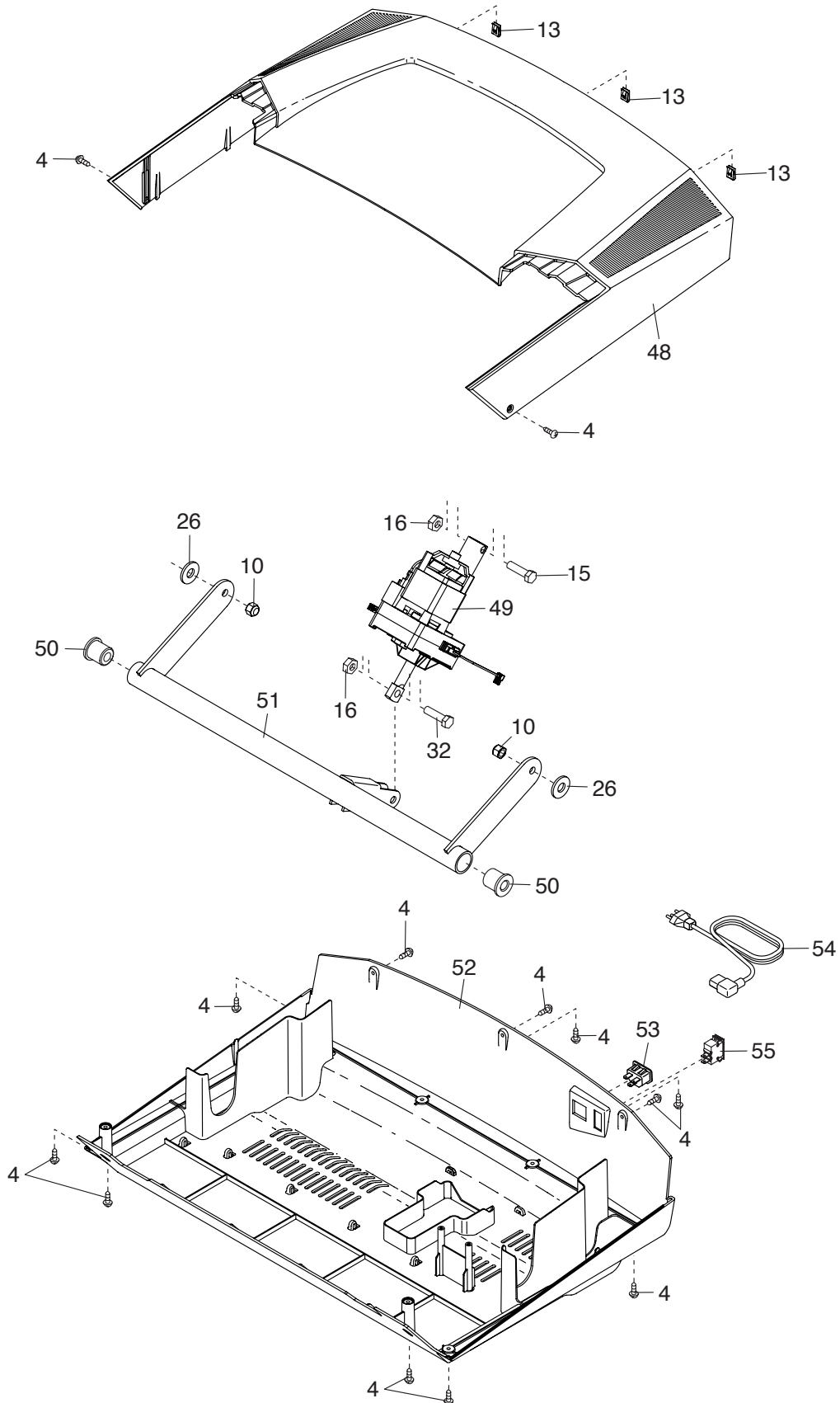
EXPLODED DRAWING A

Model No. EBRETL39515.1 R1114A



EXPLODED DRAWING B

Model No. EBRETL39515.1 R1114A



EXPLODED DRAWING C

Model No. EBRETL39515.1 R1114A

