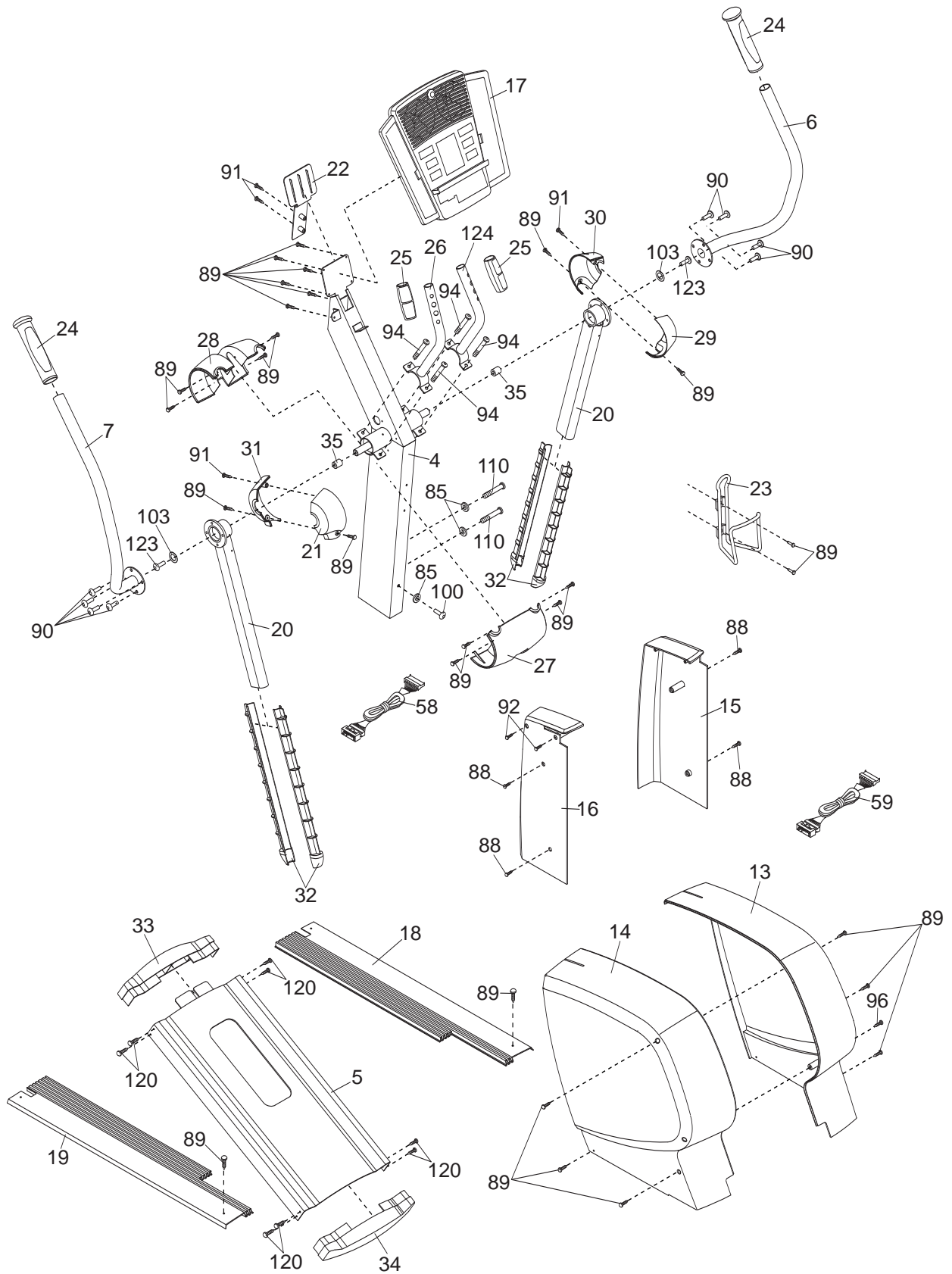


EXPLODED DRAWING A—Model No. EPEL0995.0

R1105A



EXPLODED DRAWING B—Model No. EPEL0995.0

R1105A

