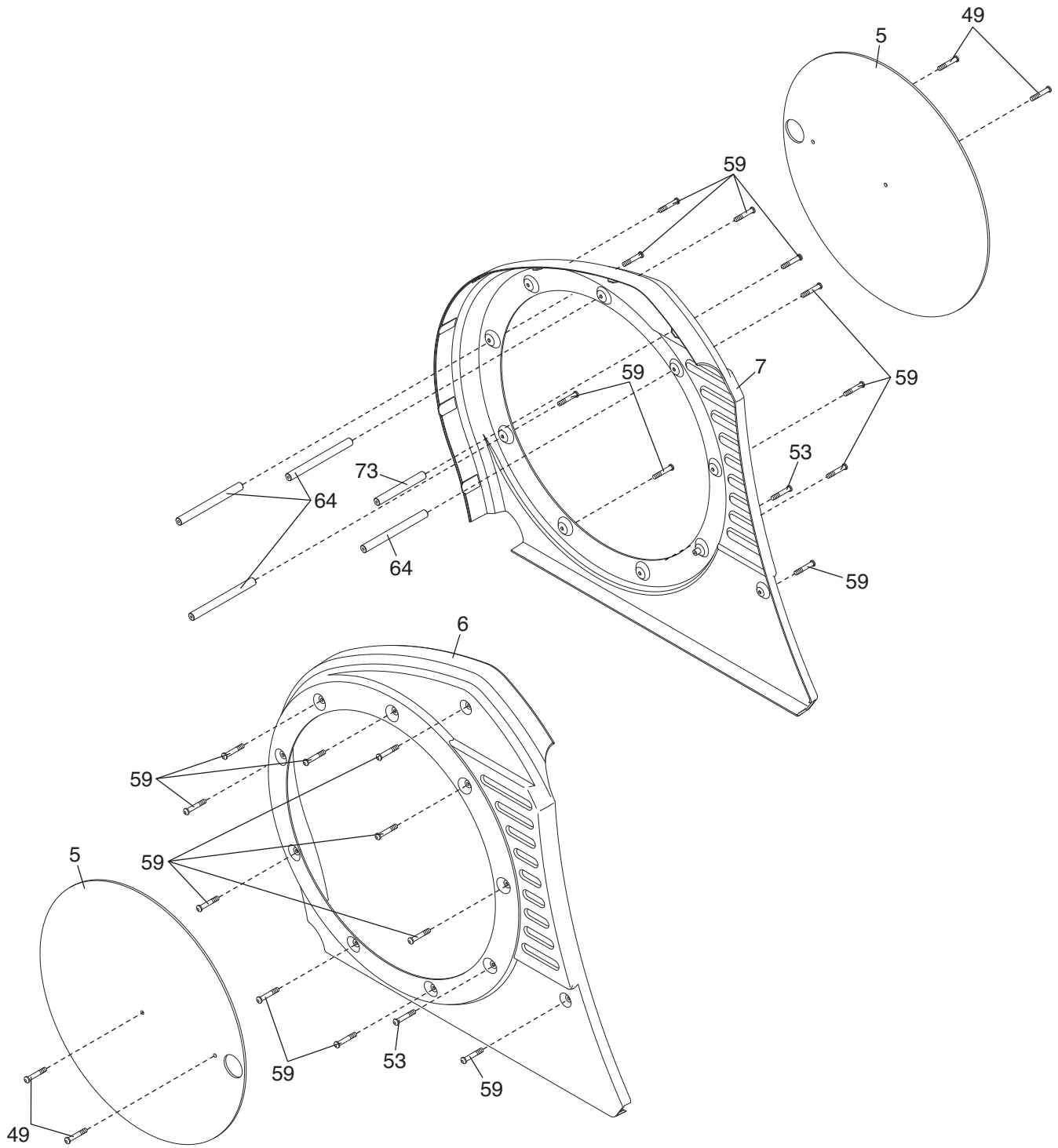




# EXPLODED DRAWING B—Model No. EPEL69908.0

R0808A



# EXPLODED DRAWING C—Model No. EPEL69908.0

R0808A

