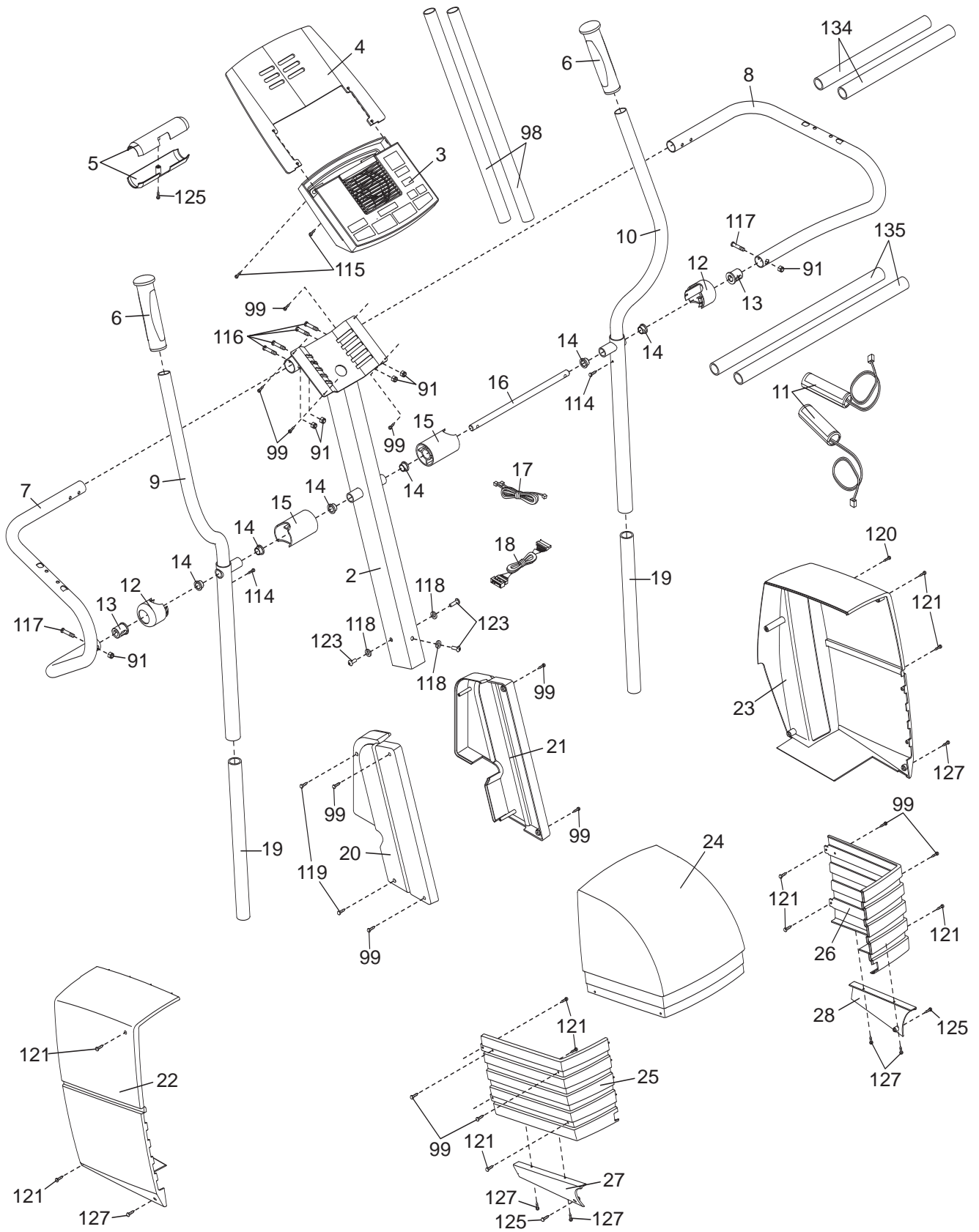


# EXPLODED DRAWING A—Model No. EPEL7975.0

R1005A



# EXPLODED DRAWING B—Model No. EPEL7975.0

R1005A

