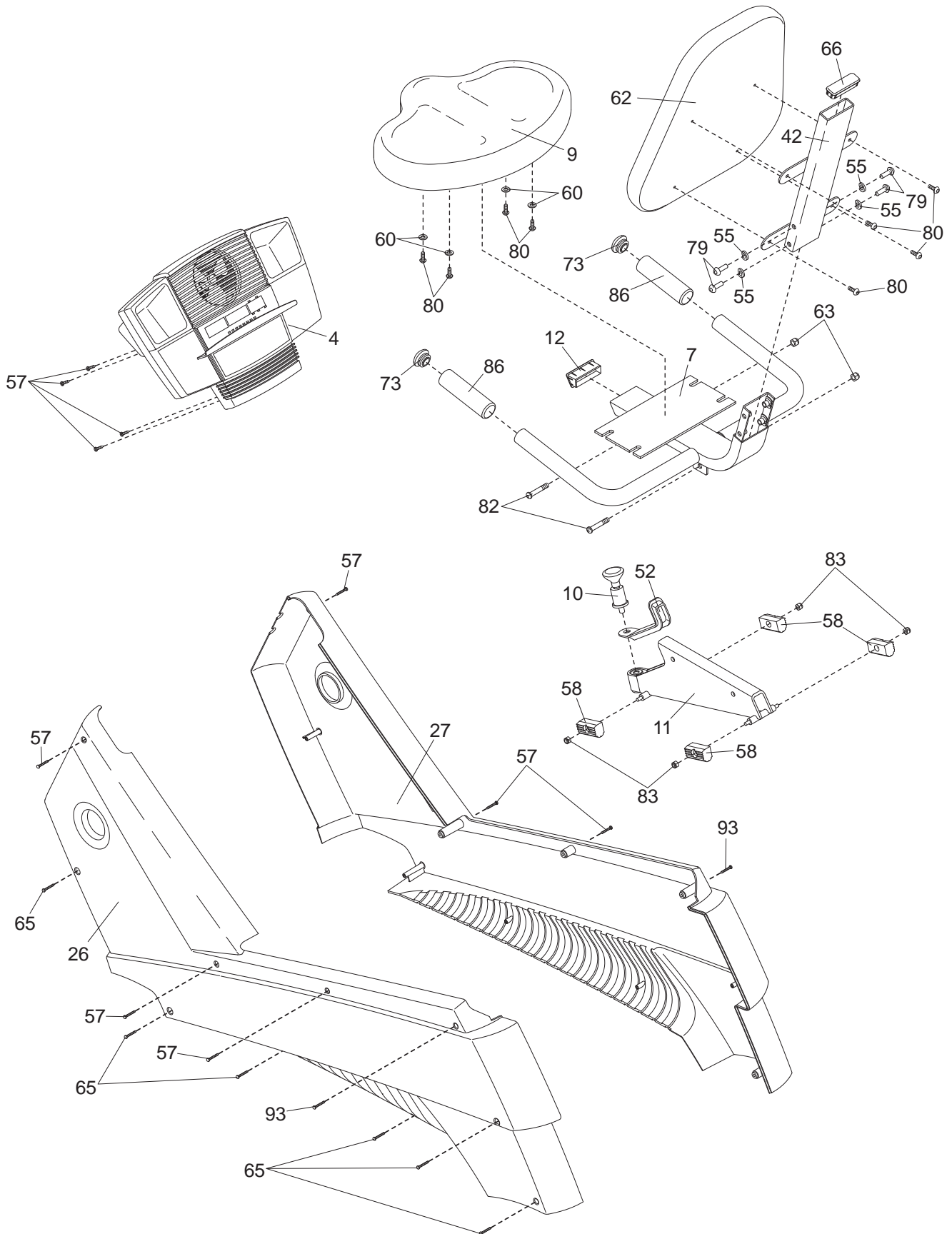


# EXPLODED DRAWING A—Model No. EPEX4905.0

R1005A



# EXPLODED DRAWING B—Model No. EPEX4905.0

R1005A

