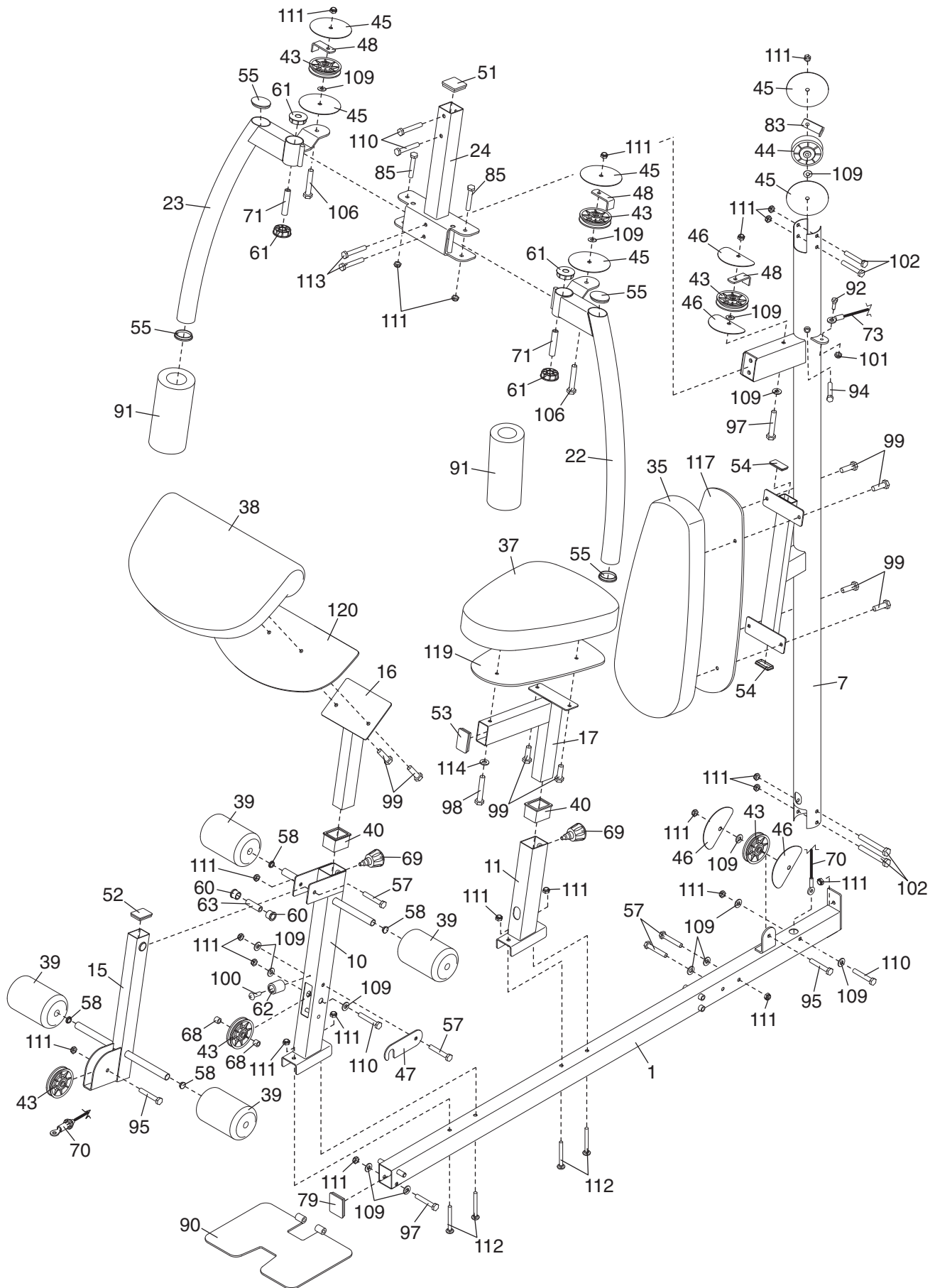


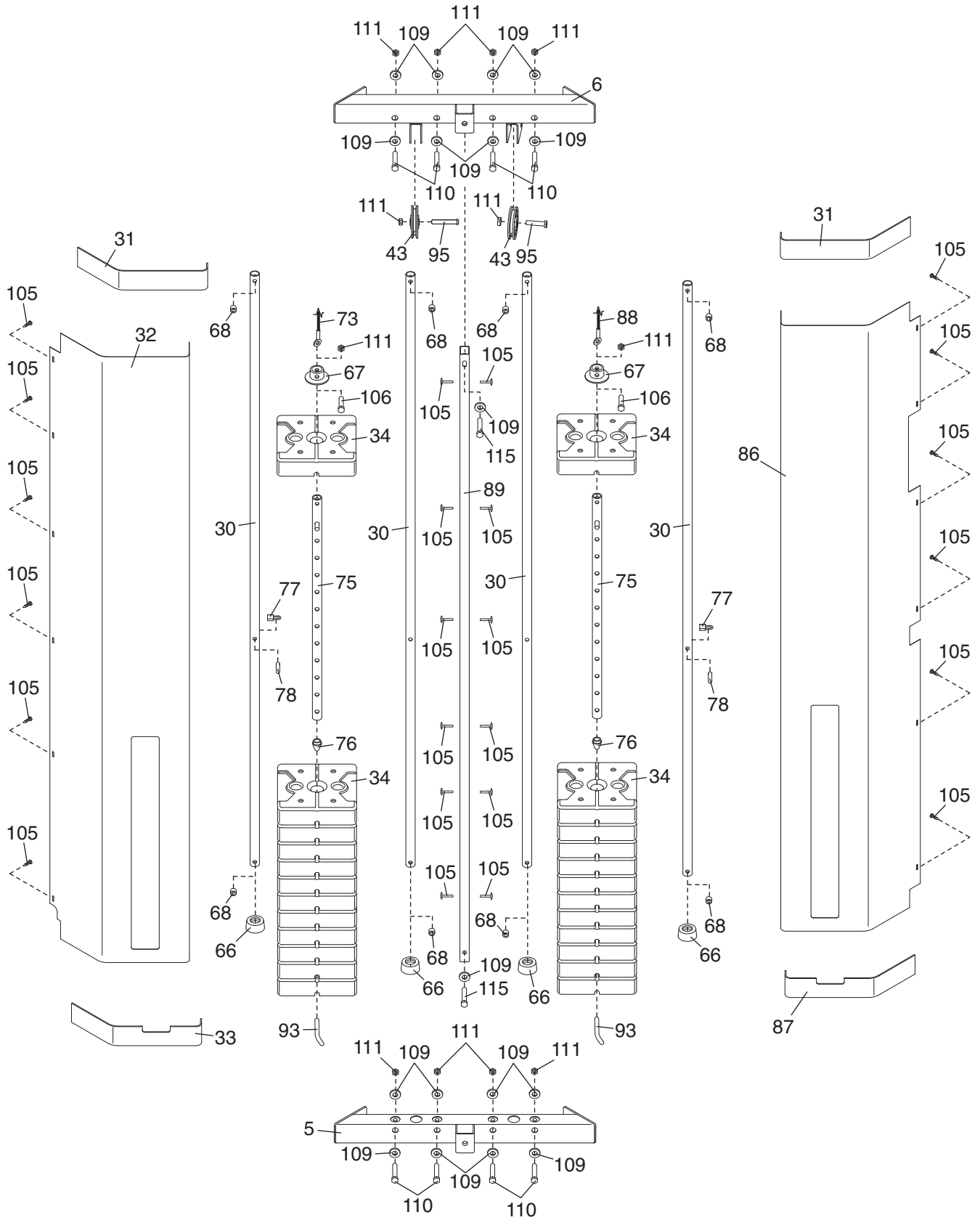
EXPLODED DRAWING A—Model No. EPSY5015.0

R0506A



EXPLODED DRAWING C—Model No. EPSY5015.0

R0506A



EXPLODED DRAWING D—Model No. EPSY5015.0

R0506A

