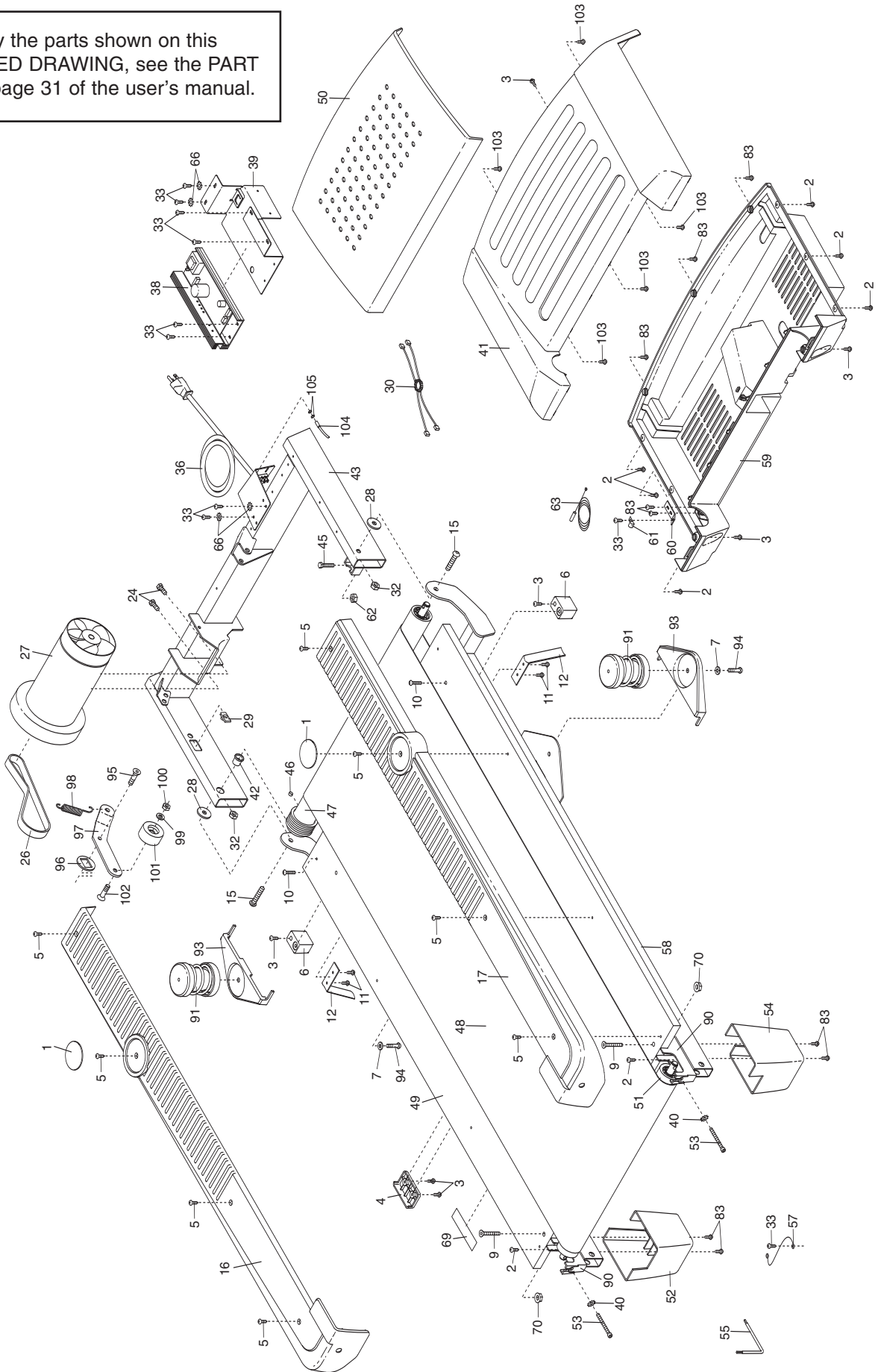


EXPLODED DRAWING—Model No. EPTL09106.2

R1207A

To identify the parts shown on this EXPLODED DRAWING, see the PART LIST on page 31 of the user's manual.



EXPLODED DRAWING—Model No. EPTL09106.2

R1207A

