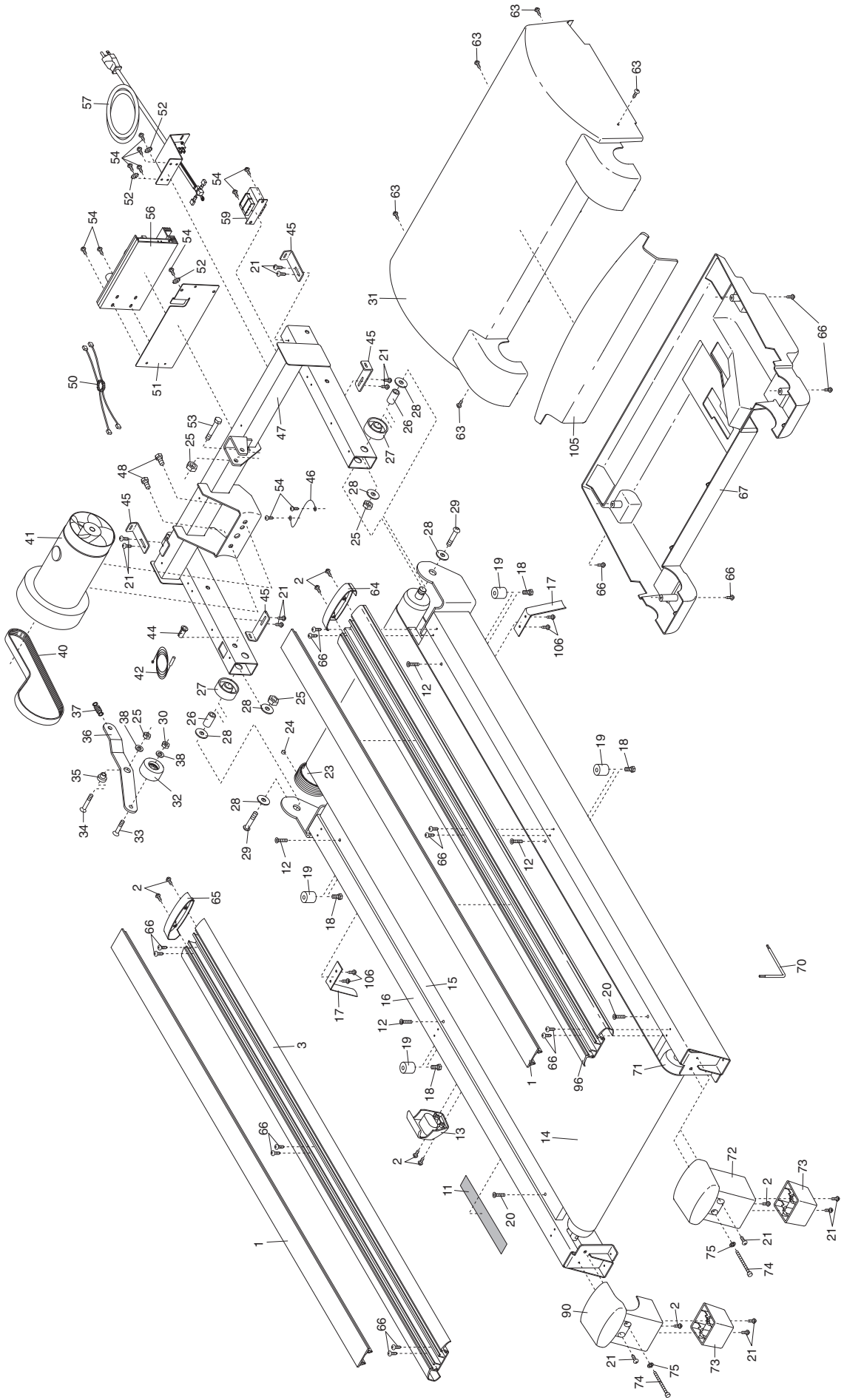


EXPLODED DRAWING—Model No. EPTL09605.1

R0306A



EXPLODED DRAWING—Model No. EPTL09605.1

R0306A

