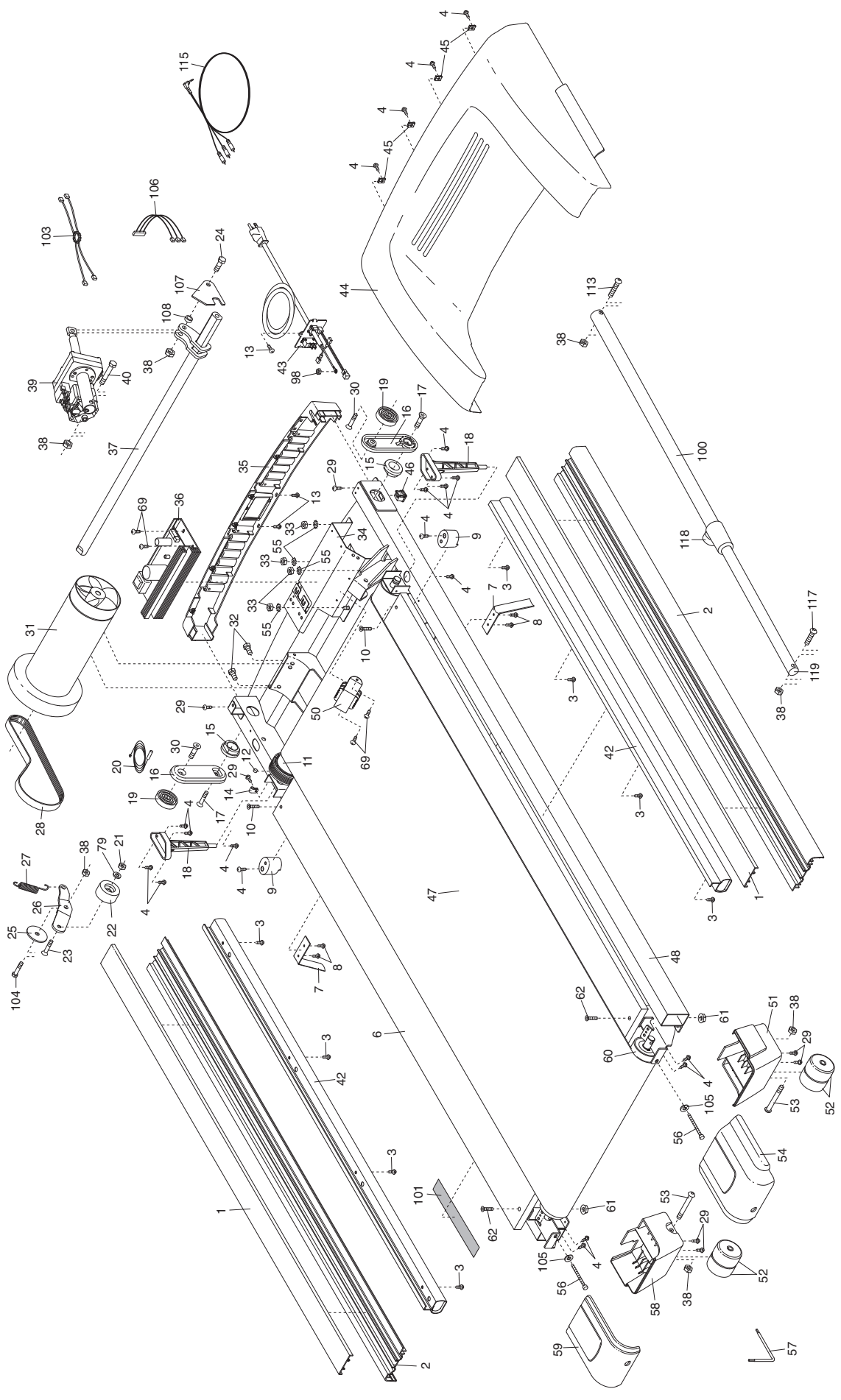


EXPLODED DRAWING—Model No. EPTL09706.0

R0906C



EXPLODED DRAWING—Model No. EPTL09706.0

R0906C

