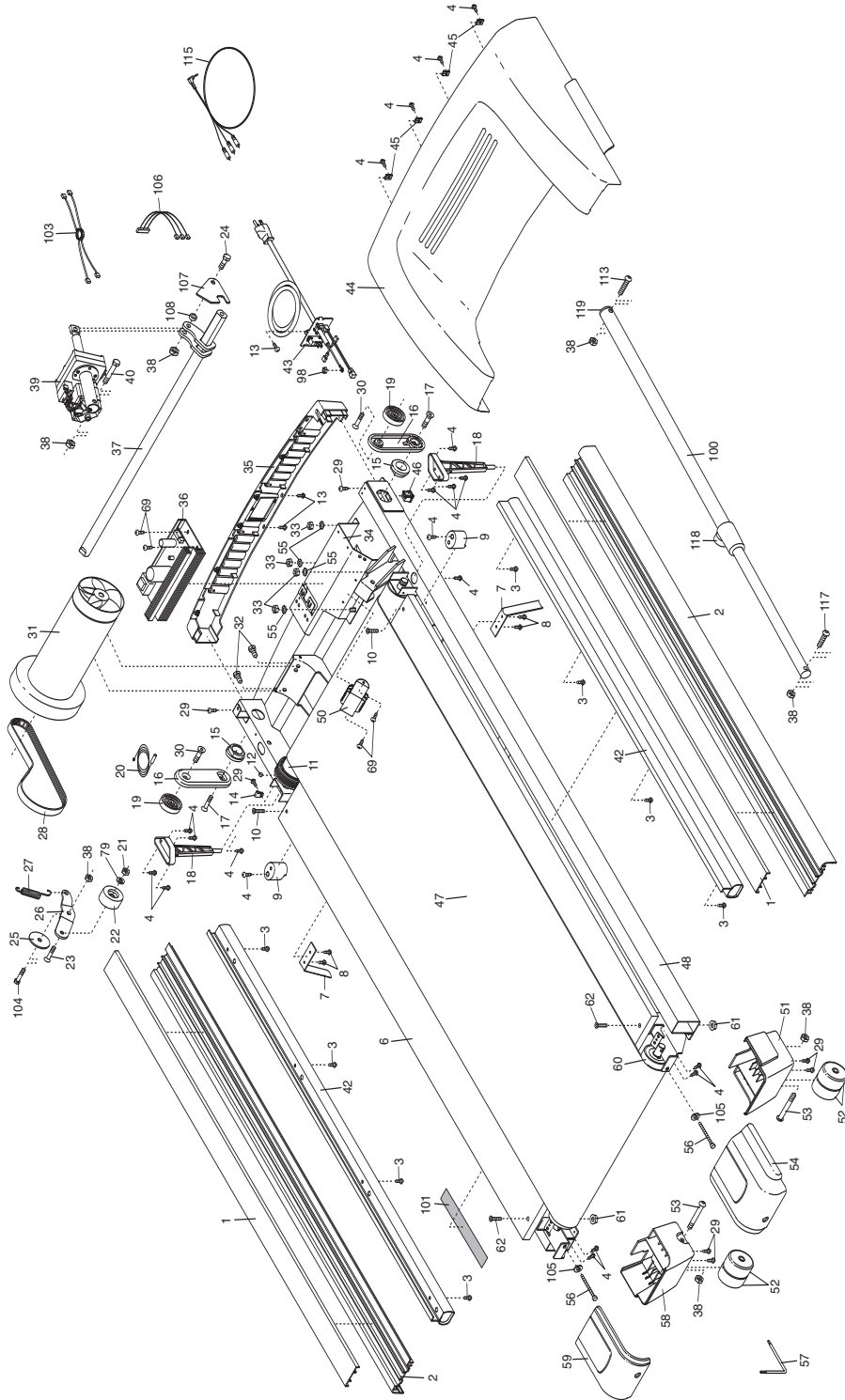


# EXPLODED DRAWING—Model No. EPTL09706.1

R0107A



To identify the parts shown on this EXPLODED DRAWING, see the PART LIST on pages 26 and 27.

# EXPLODED DRAWING—Model No. EPTL09706.1

R0107A

