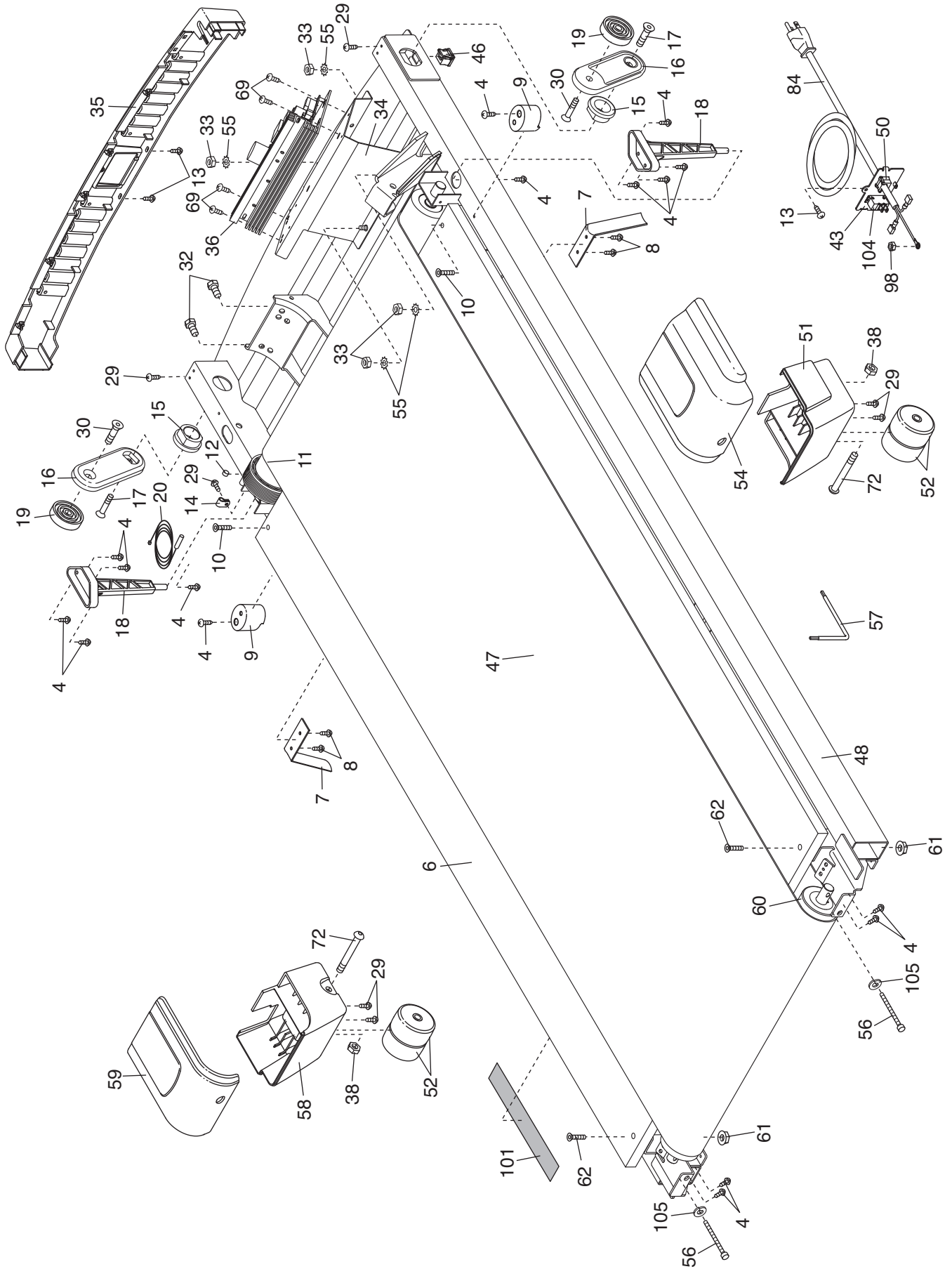


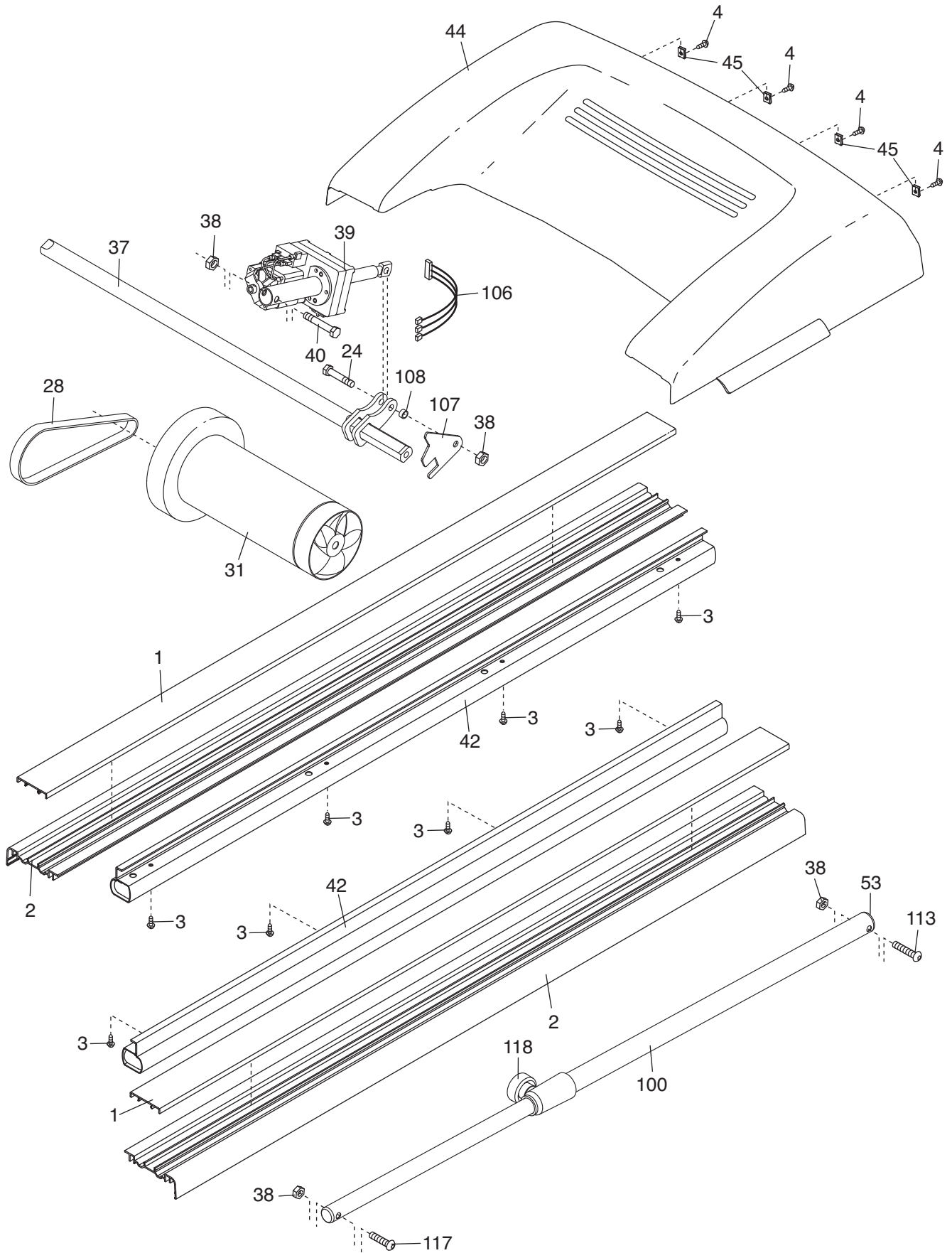
EXPLODED DRAWING A—Model No. EPTL09708.1

R0509A



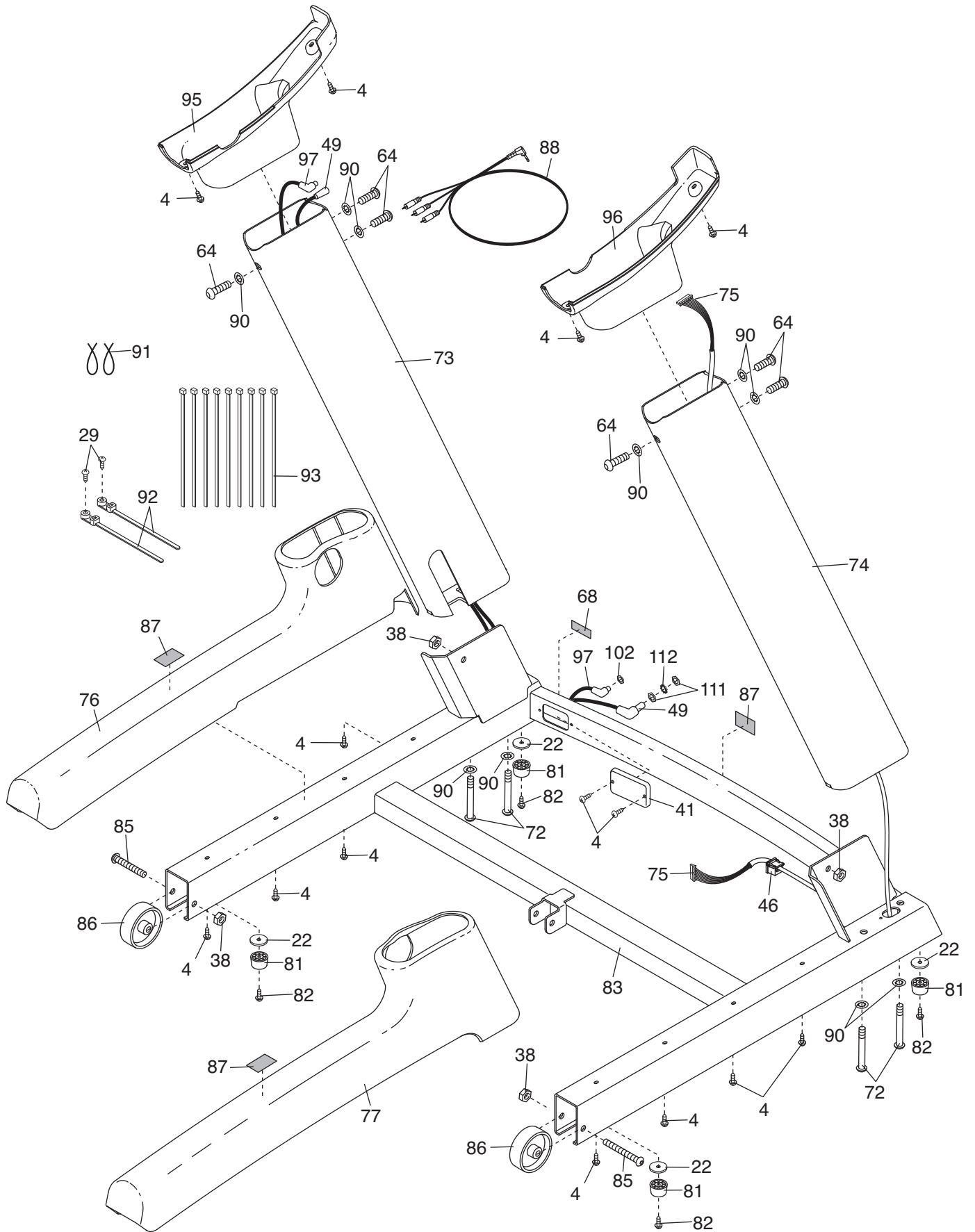
EXPLODED DRAWING B—Model No. EPTL09708.1

R0509A



EXPLODED DRAWING C—Model No. EPTL09708.1

R0509A



EXPLODED DRAWING D—Model No. EPTL09708.1

R0509A

