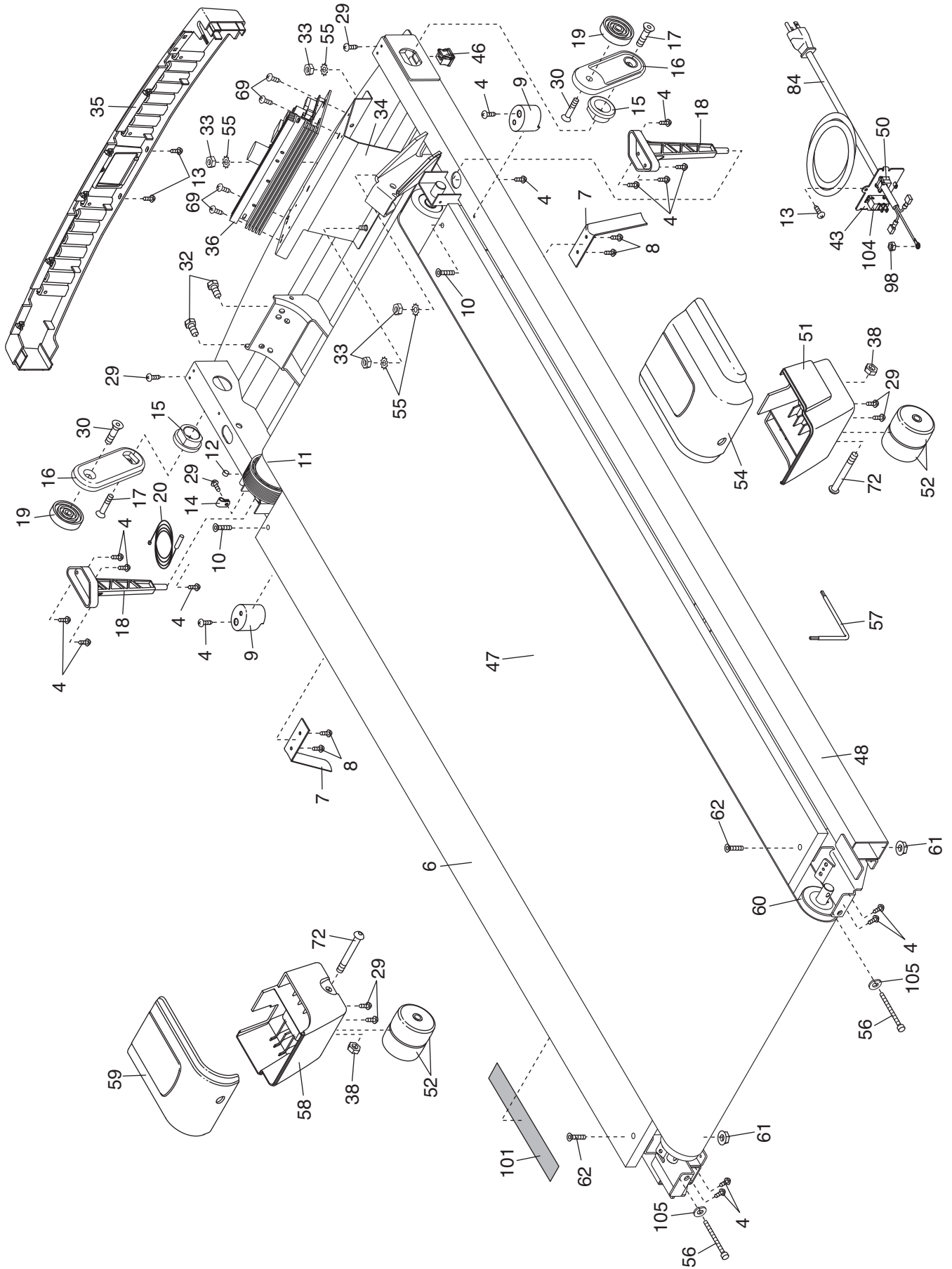


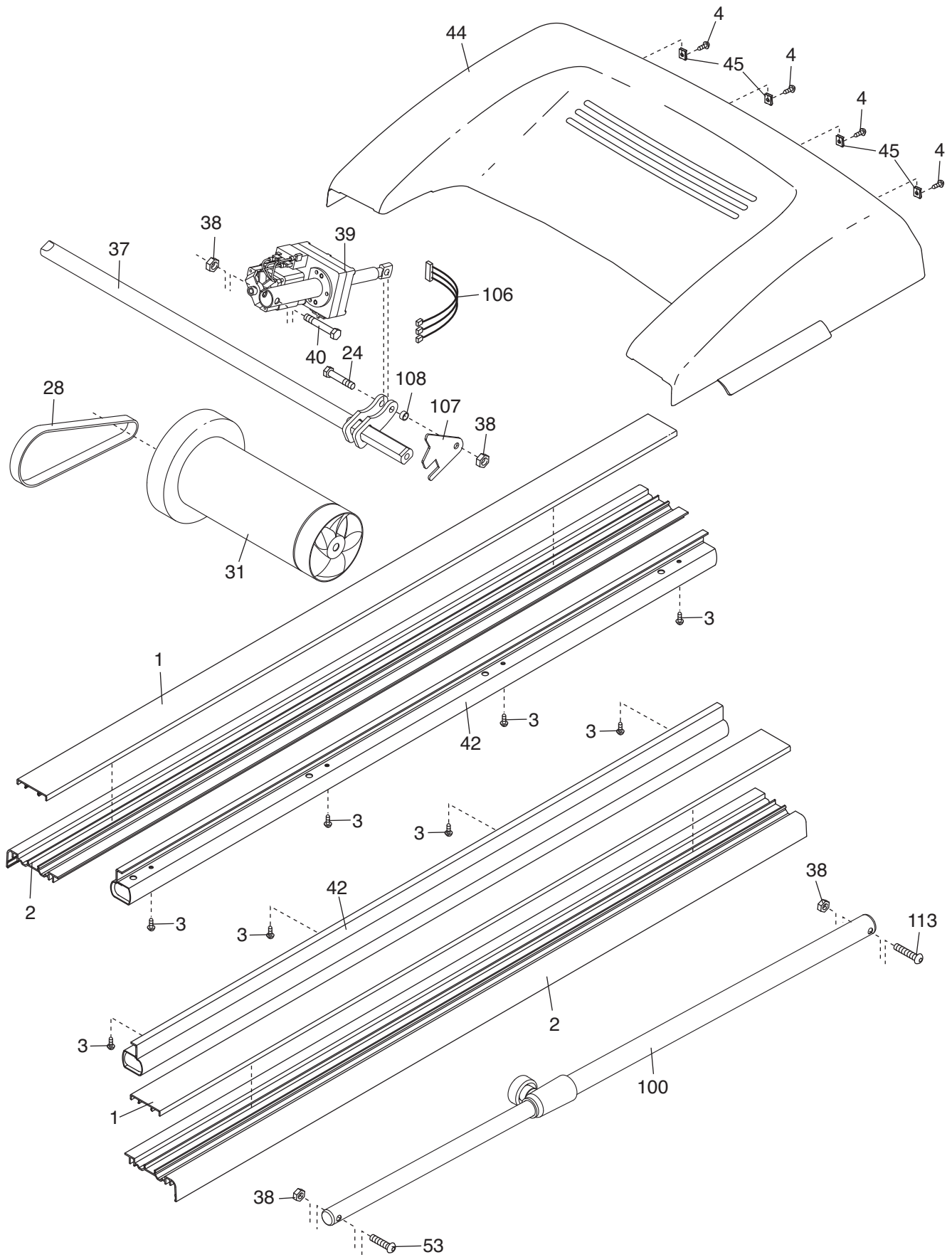
EXPLODED DRAWING A—Model No. EPTL09708.2

R0310A



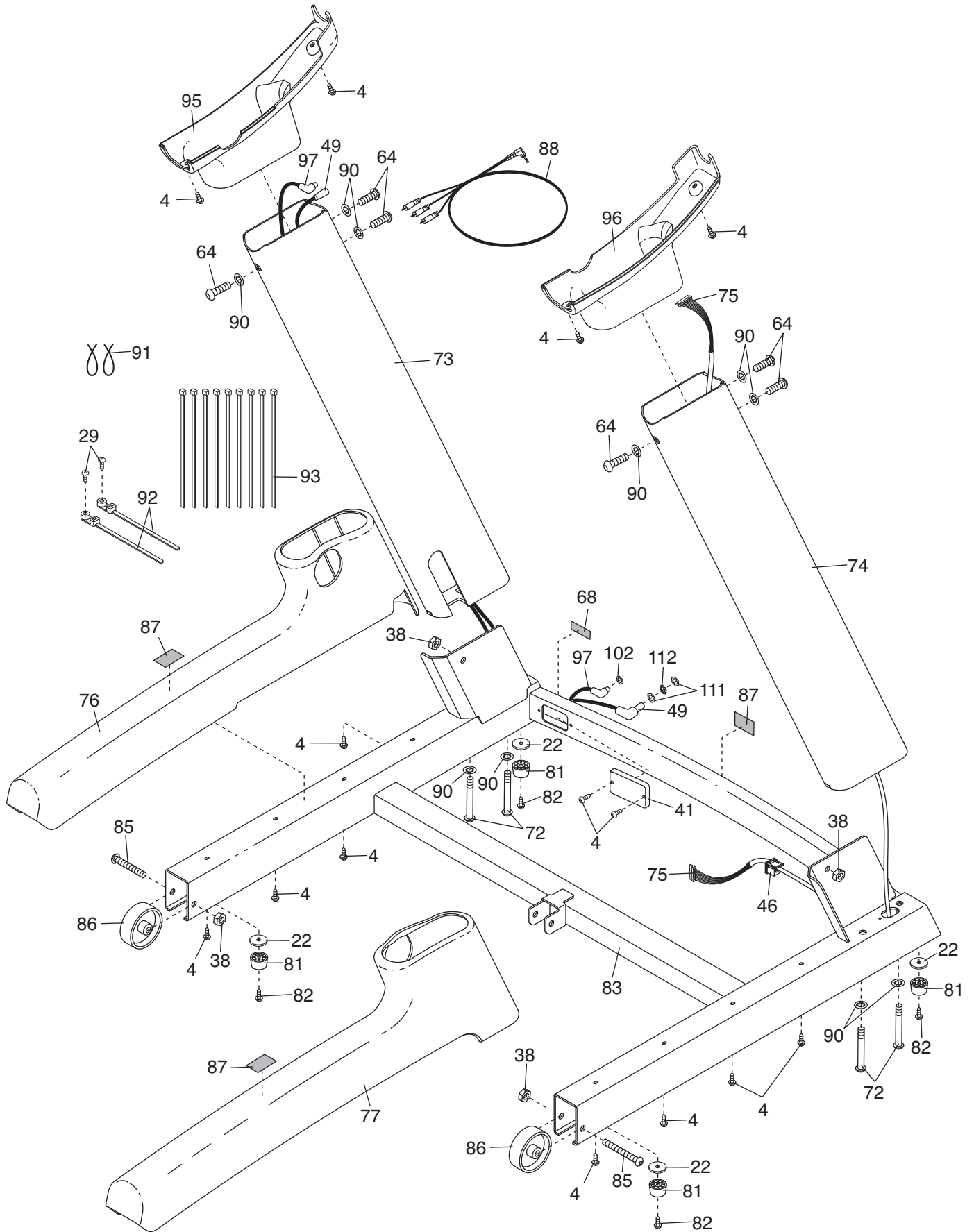
EXPLODED DRAWING B—Model No. EPTL09708.2

R0310A



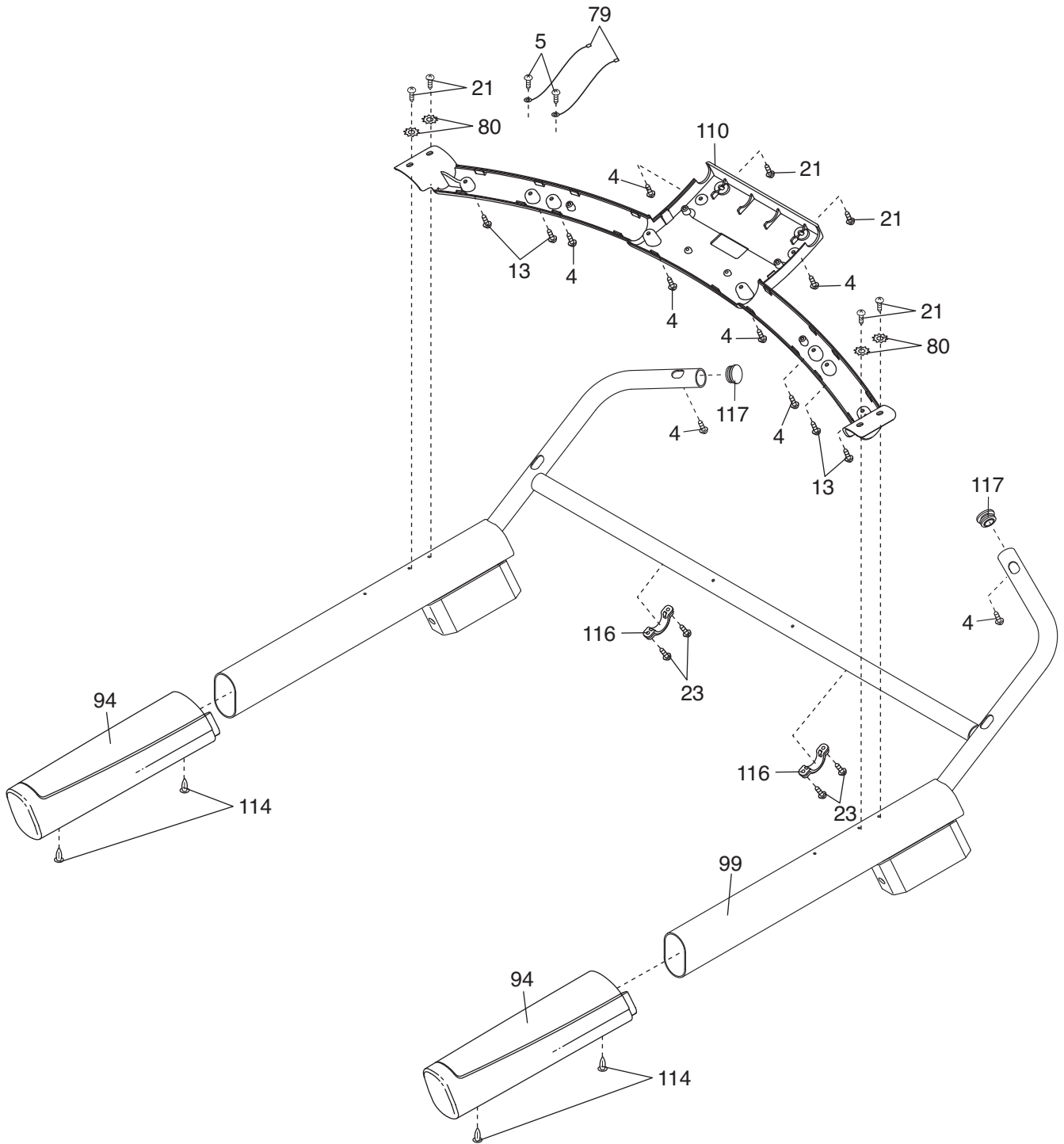
EXPLODED DRAWING C—Model No. EPTL09708.2

R0310A



EXPLODED DRAWING D—Model No. EPTL09708.2

R0310A



EXPLODED DRAWING E—Model No. EPTL09708.2

R0310A

