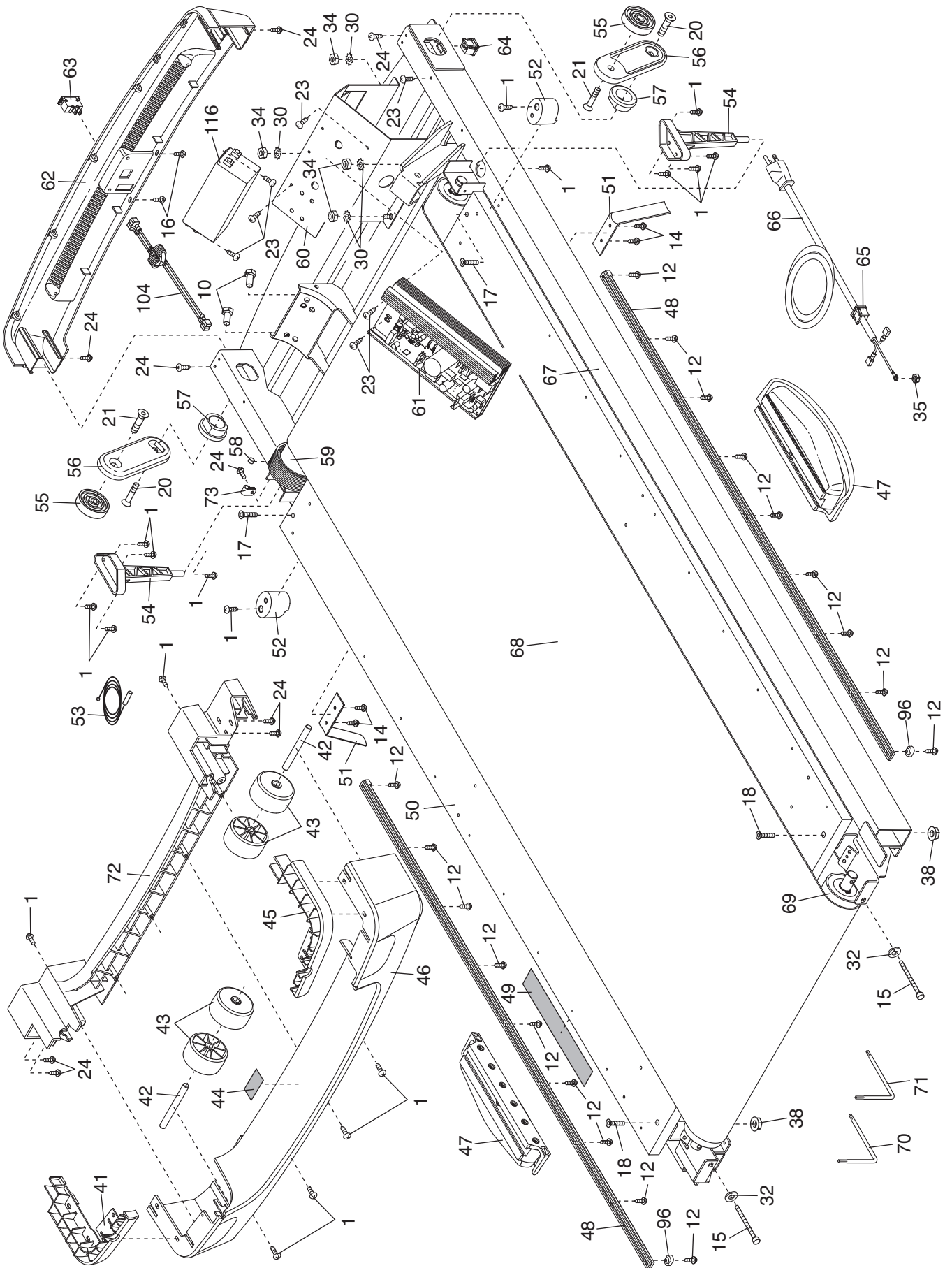


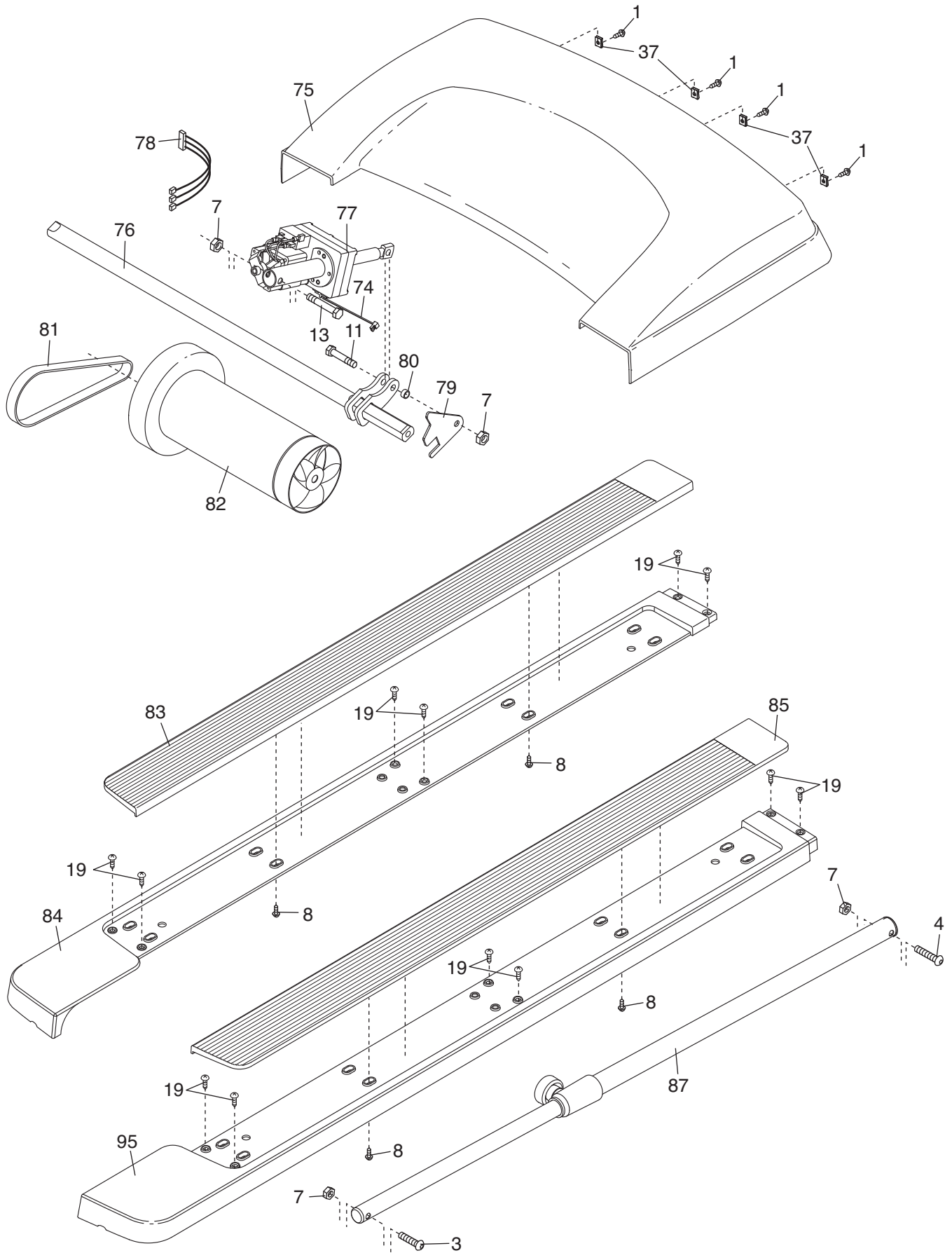
EXPLODED DRAWING A

Model No. EPTL12010.0 R0212A



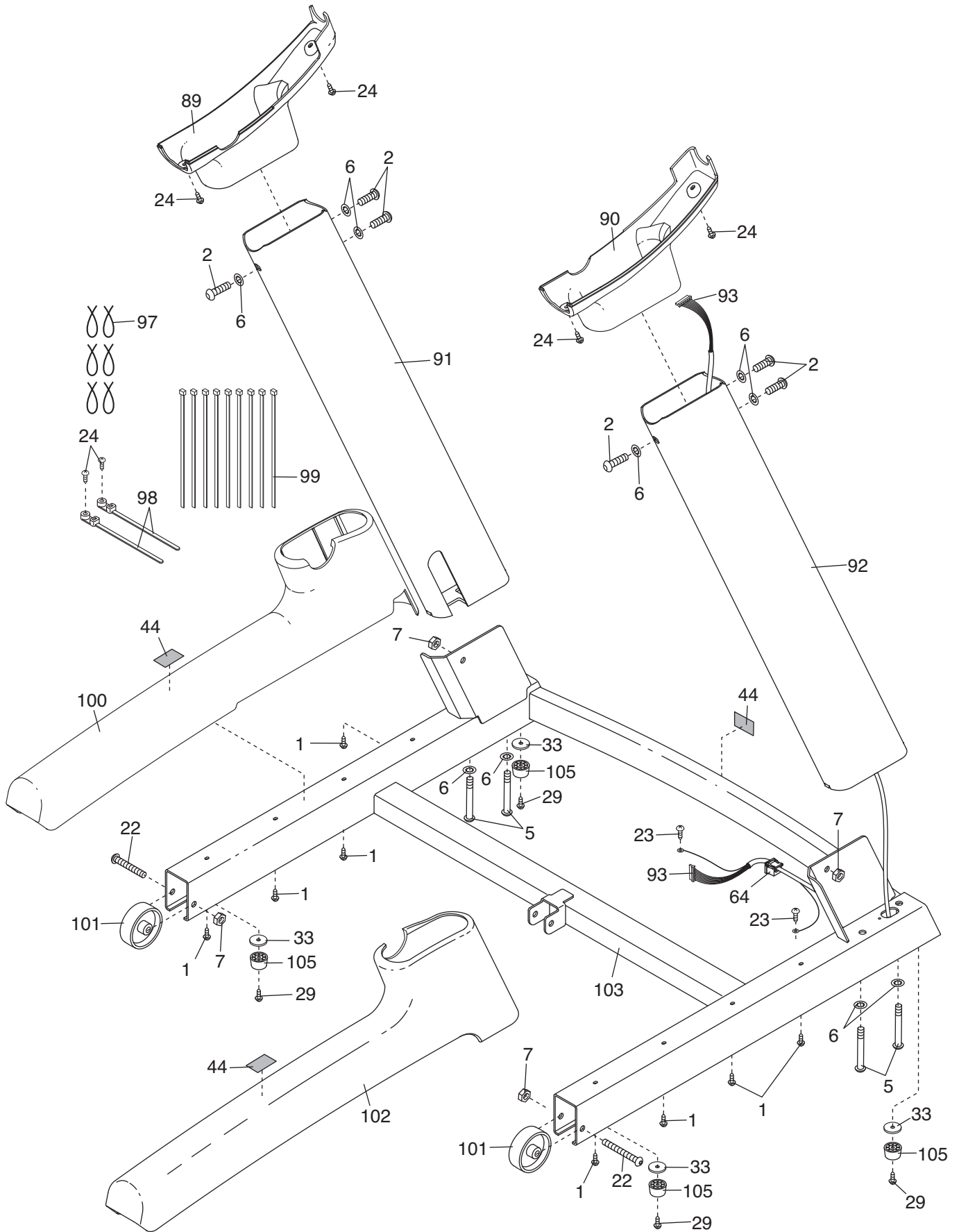
EXPLODED DRAWING B

Model No. EPTL12010.0 R0212A



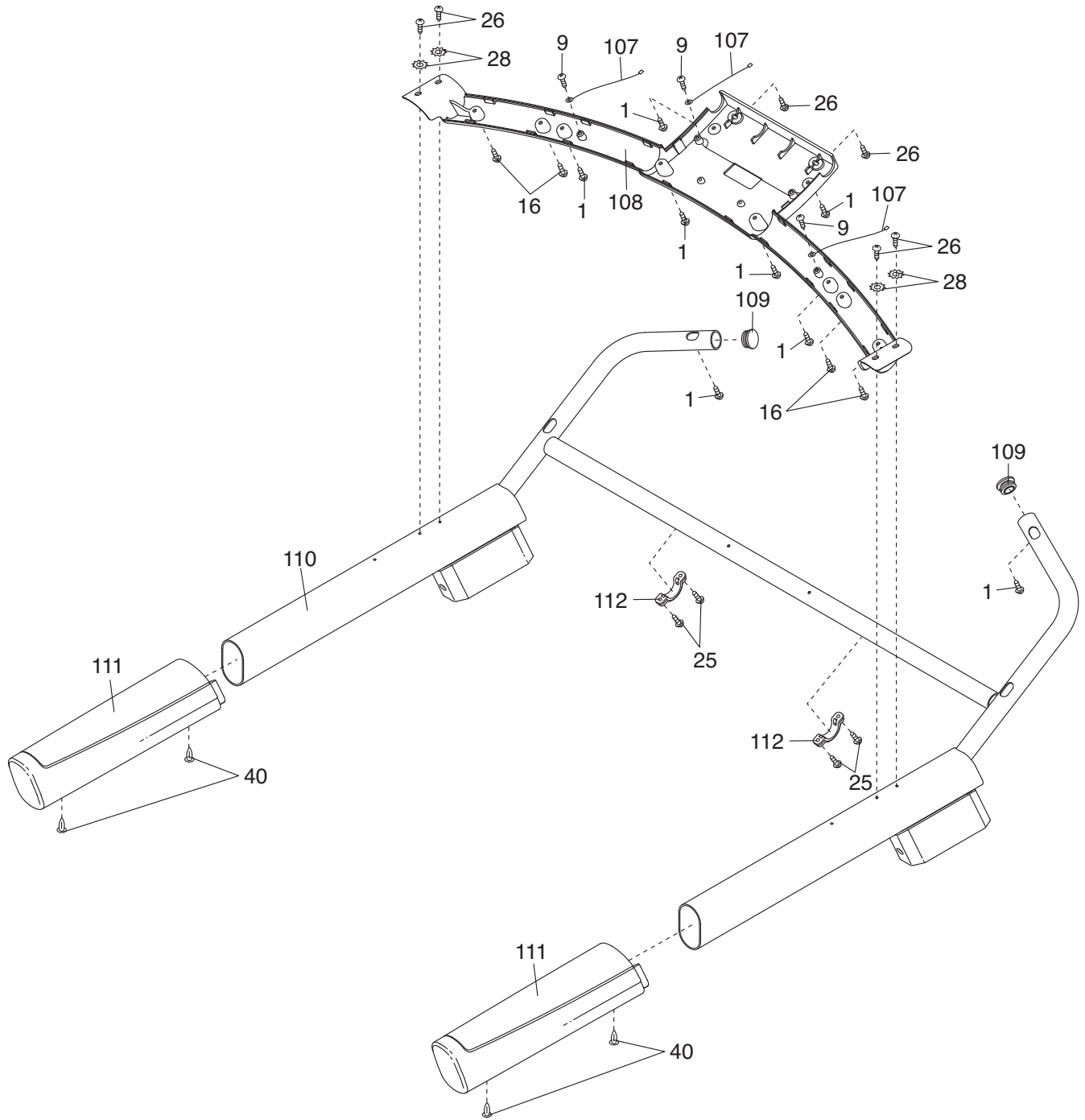
EXPLODED DRAWING C

Model No. EPTL12010.0 R0212A



EXPLODED DRAWING D

Model No. EPTL12010.0 R0212A



EXPLODED DRAWING E

Model No. EPTL12010.0 R0212A

