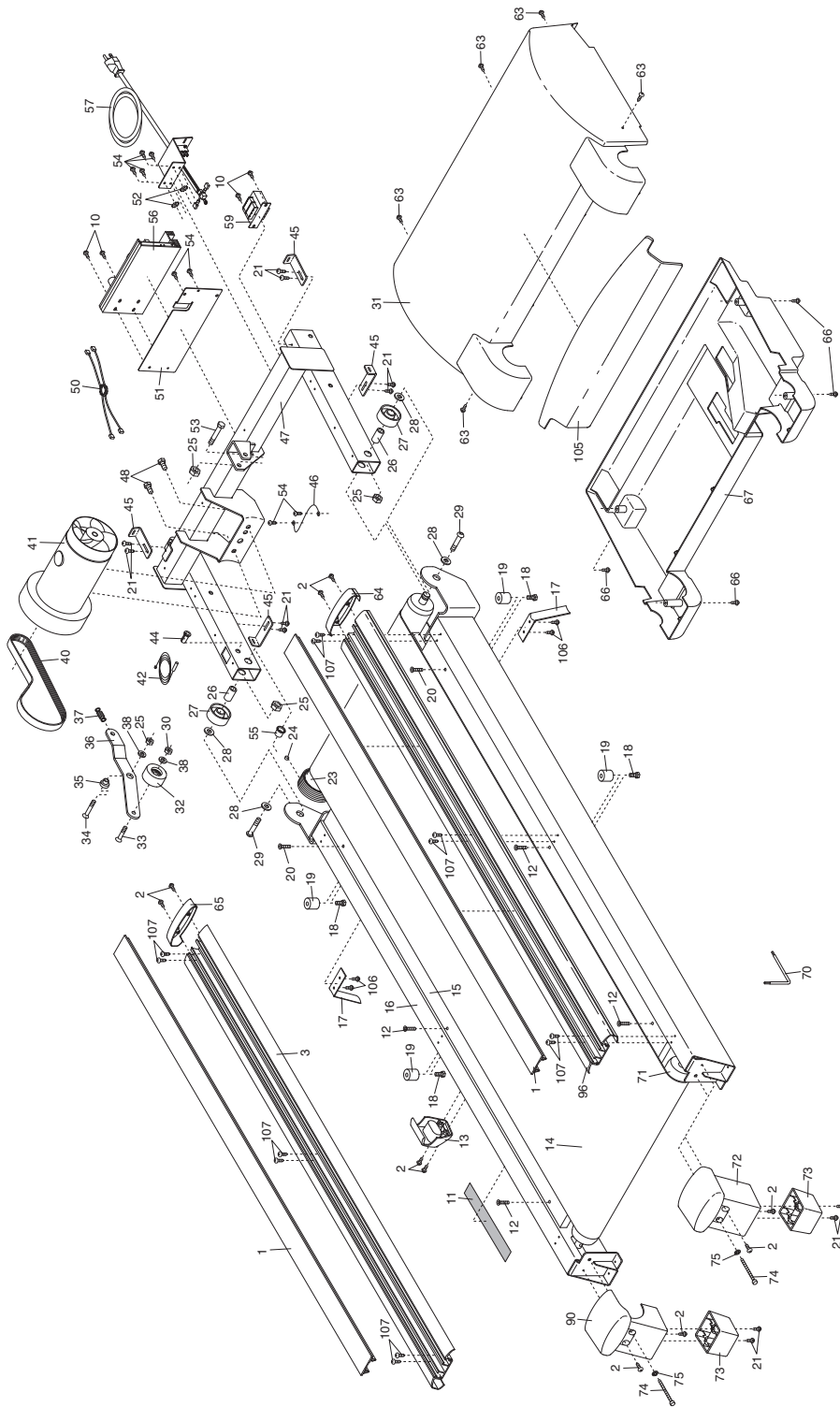


# EXPLODED DRAWING—Model No. EPTL12605.0

R0306A



To identify the parts shown on this EXPLODED DRAWING, see the PART LIST on page 27.

# EXPLODED DRAWING—Model No. EPTL12605.0

R0306A

