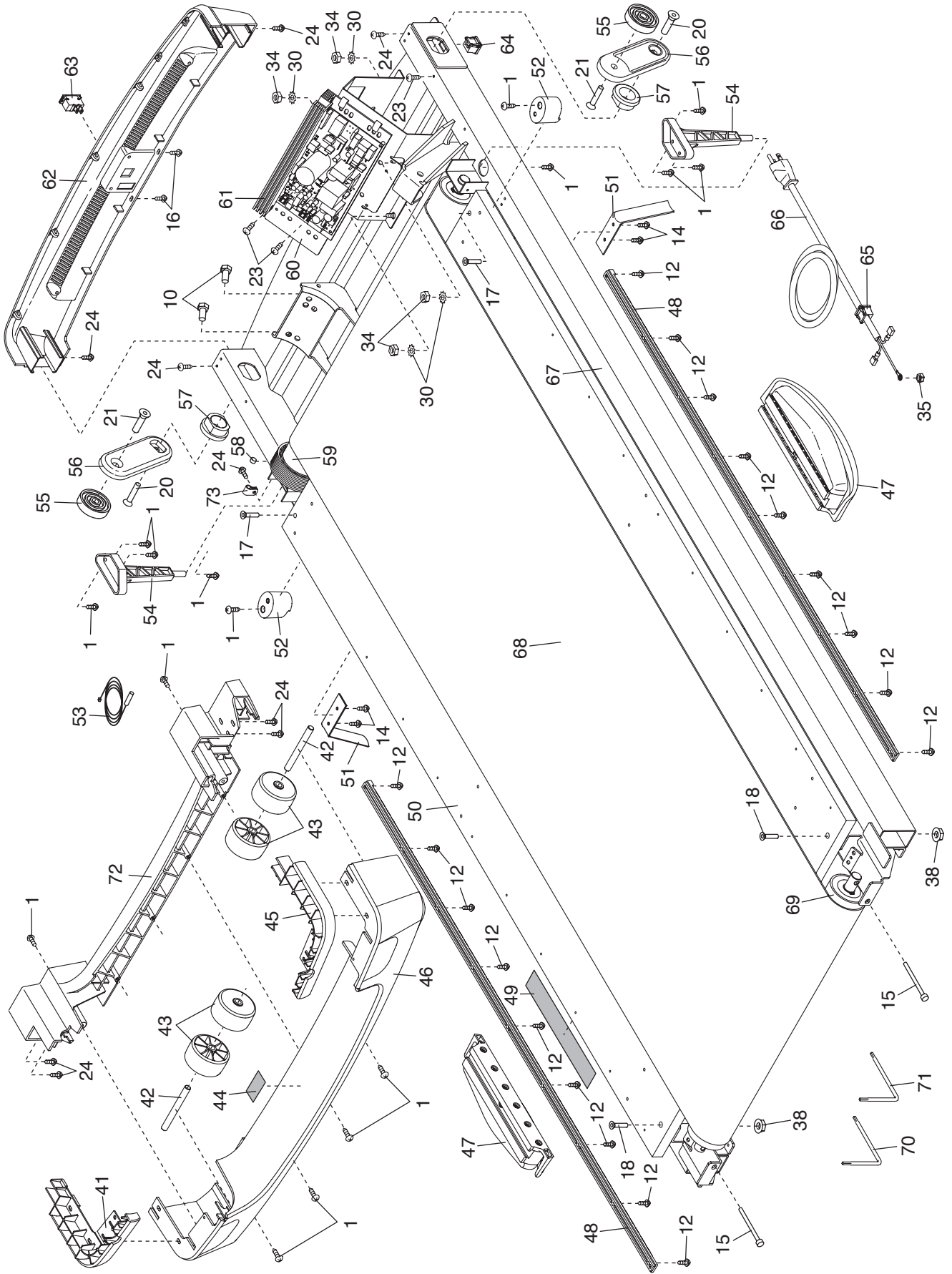


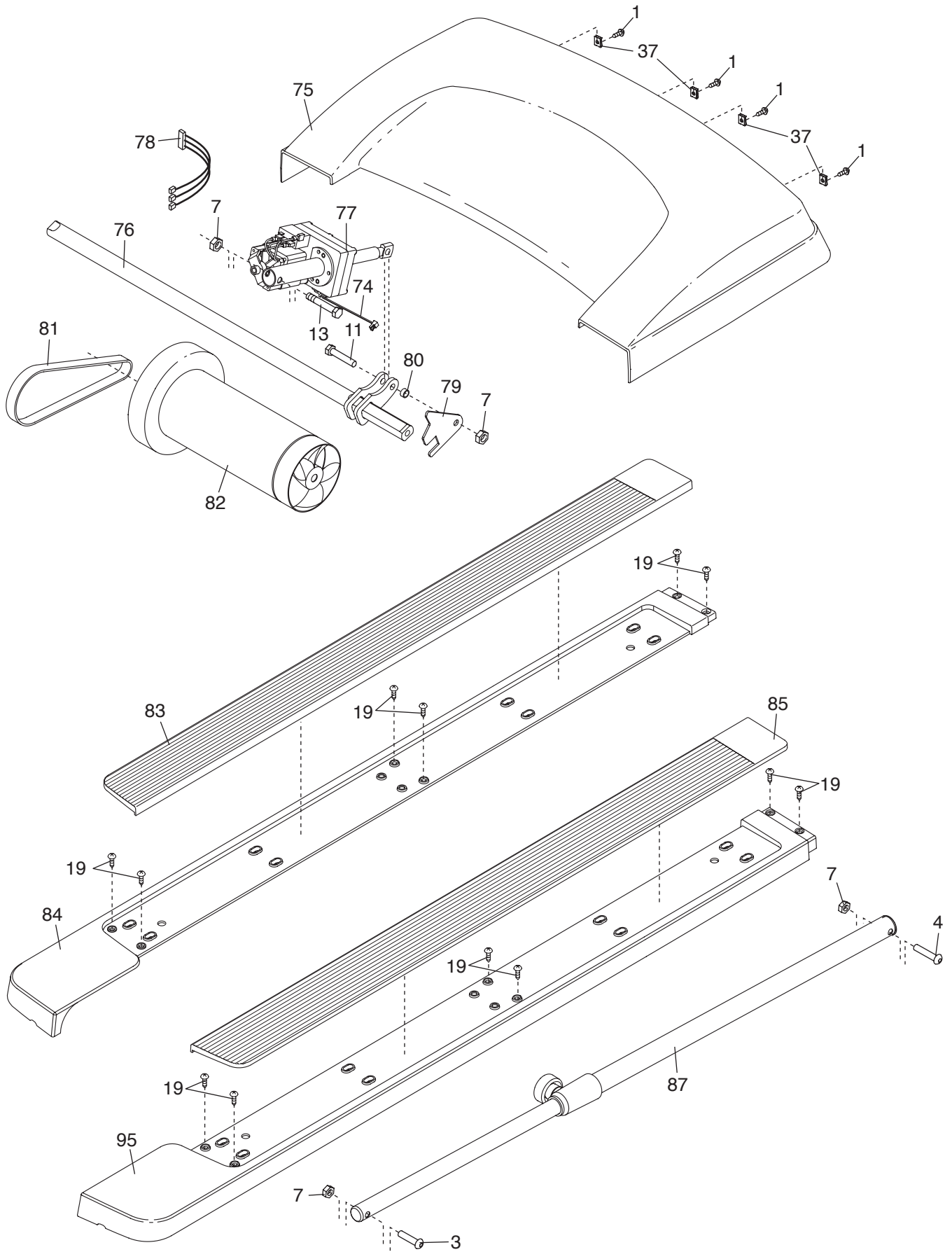
EXPLODED DRAWING A

Model No. EPTL14211.0 R0911A



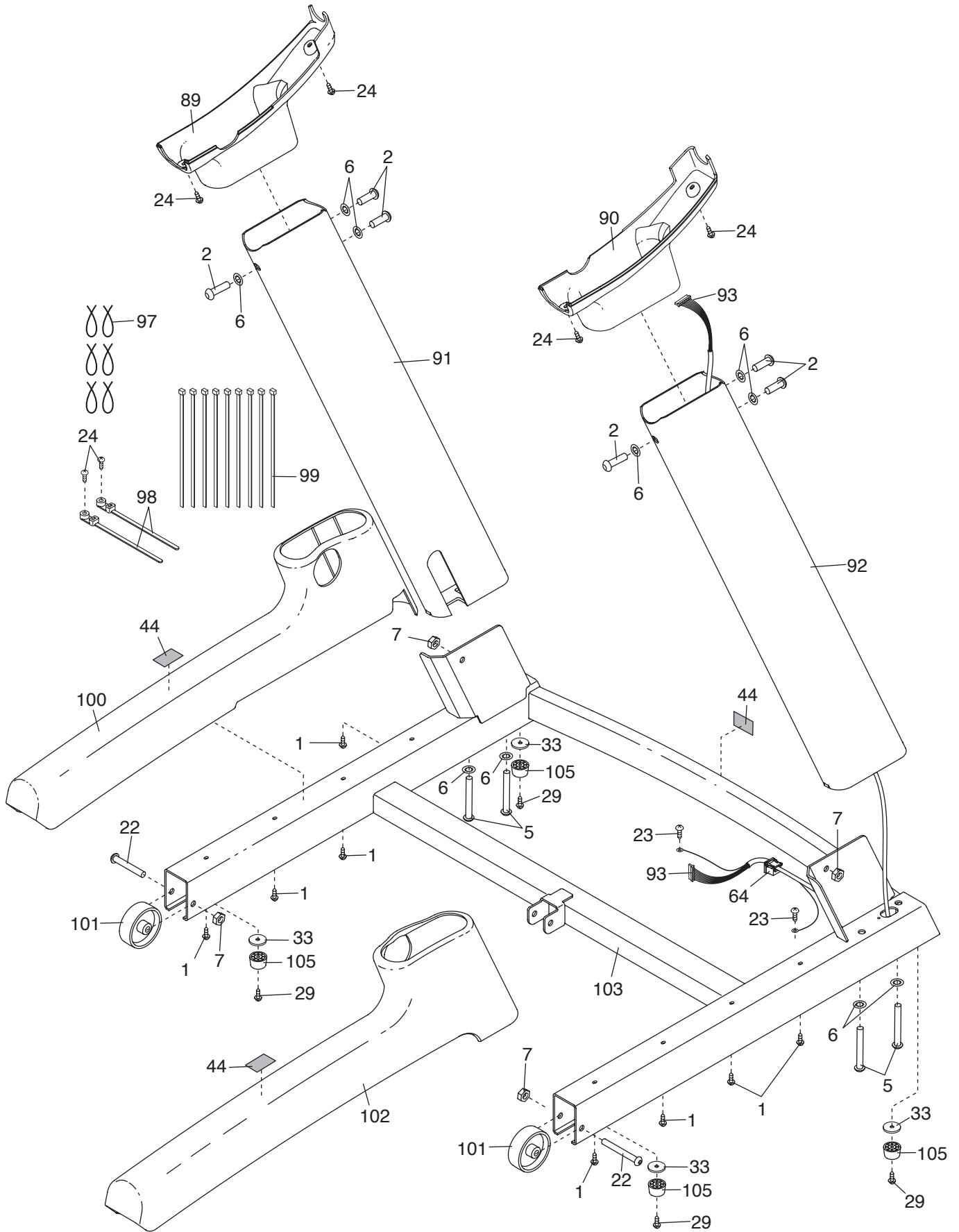
EXPLODED DRAWING B

Model No. EPTL14211.0 R0911A



EXPLODED DRAWING C

Model No. EPTL14211.0 R0911A



EXPLODED DRAWING D

Model No. EPTL14211.0 R0911A

