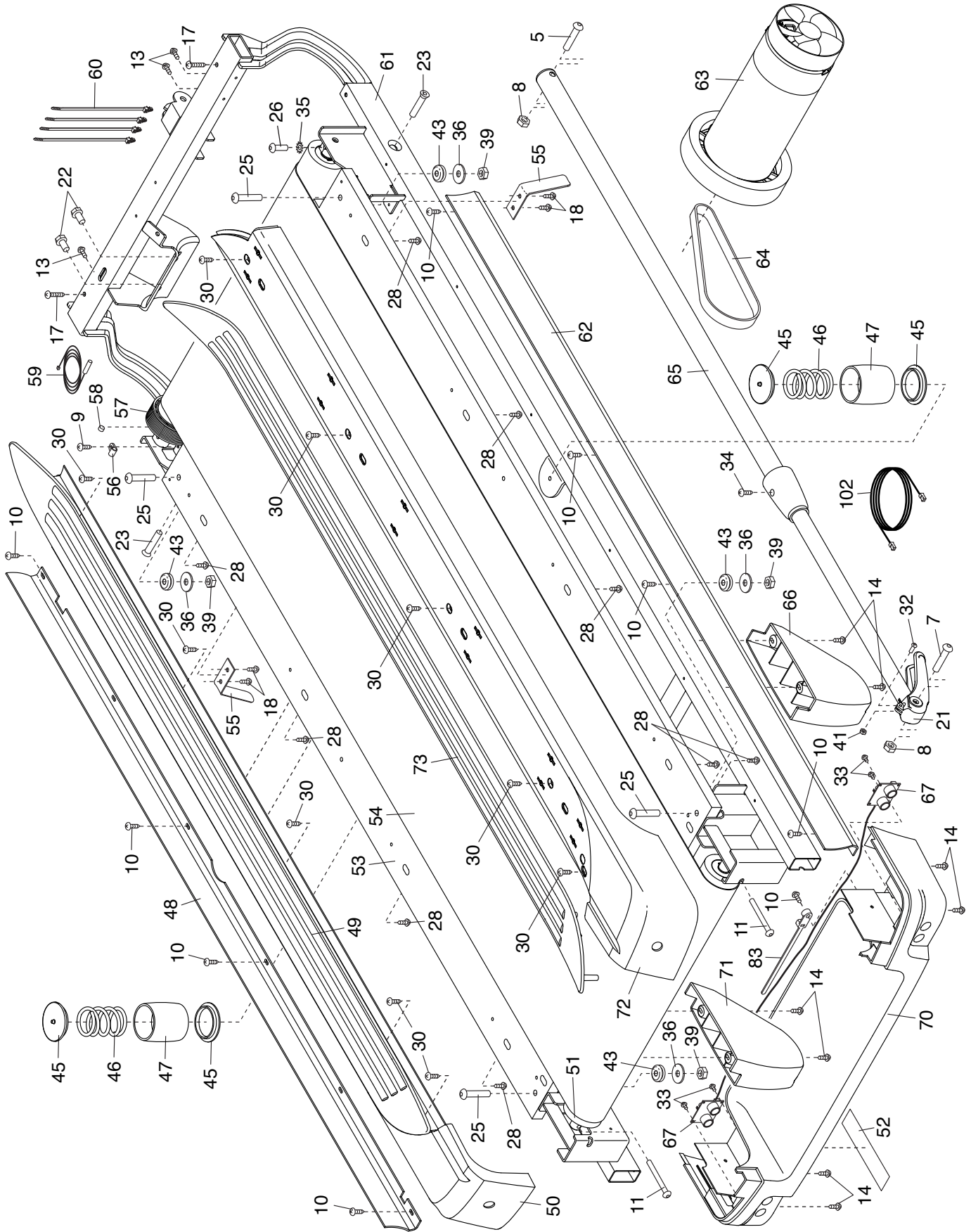


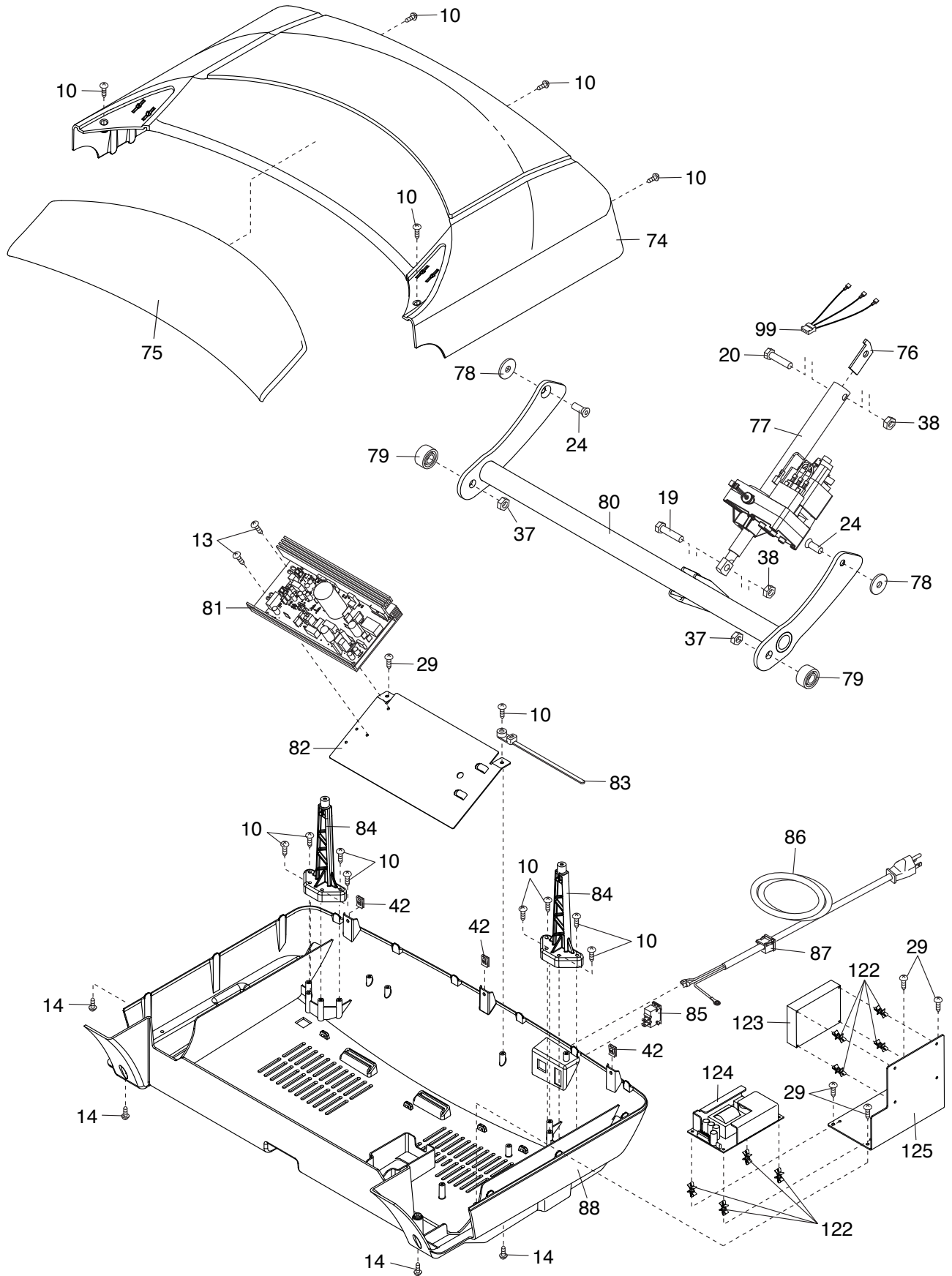
EXPLODED DRAWING A

Model No. EPTL19012.0 R1112A



EXPLODED DRAWING B

Model No. EPTL19012.0 R1112A



EXPLODED DRAWING E

Model No. EPTL19012.0 R1112A

