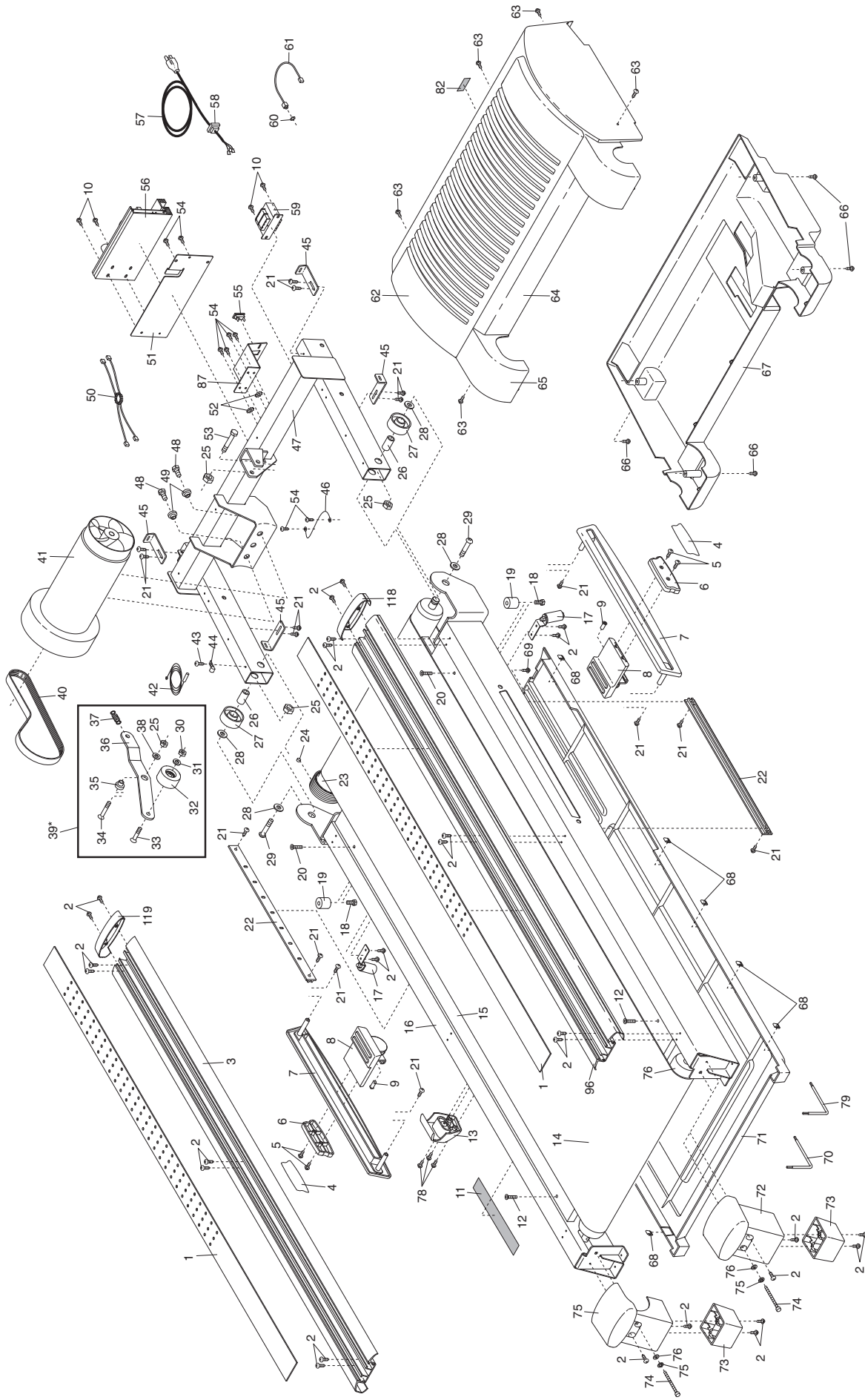


EXPLODED DRAWING—Model No. EPTL818040

R1004A



EXPLODED DRAWING—Model No. EPTL818040

R1004A

