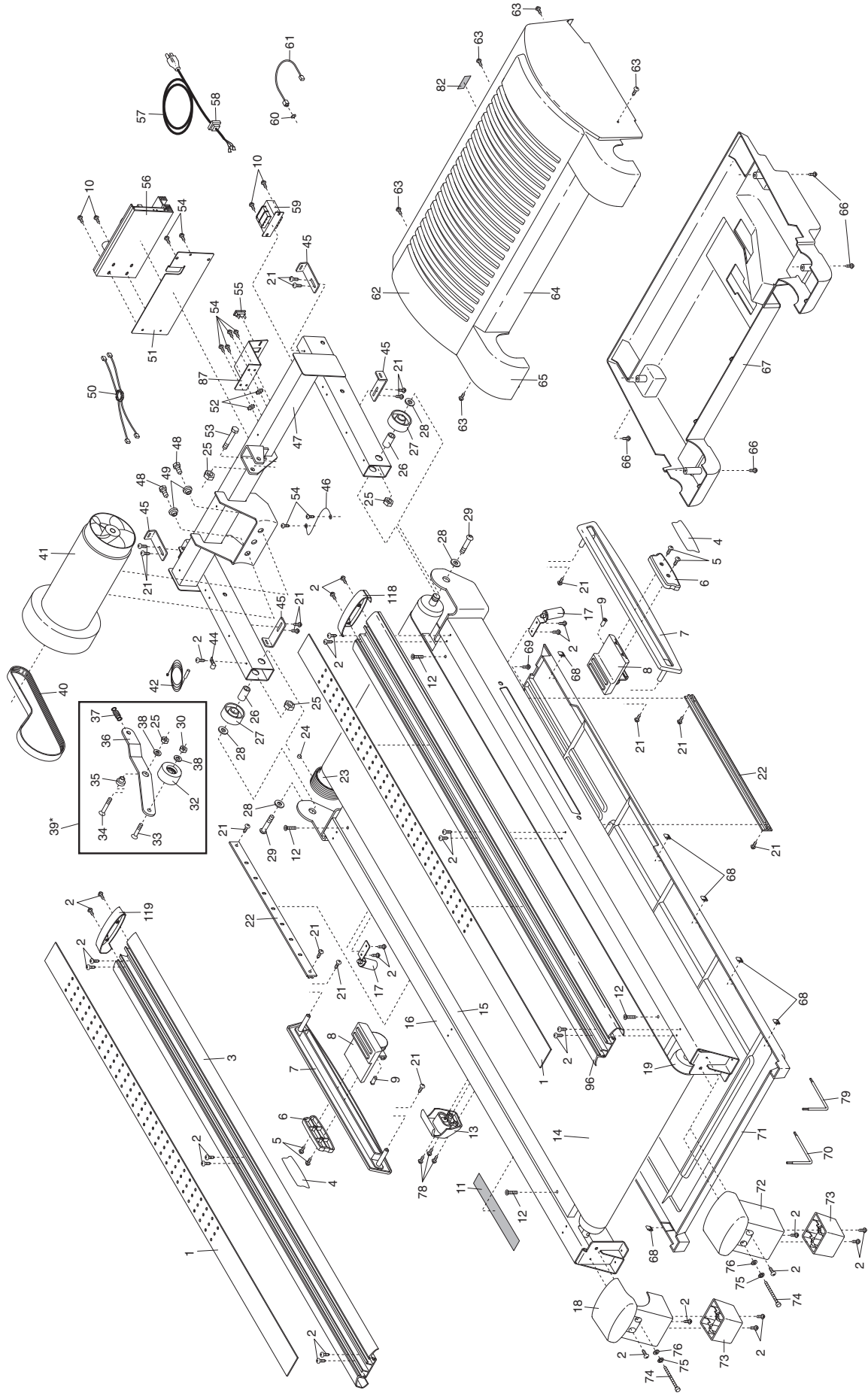


# EXPLODED DRAWING—Model No. EPTL818041

R1204A



# EXPLODED DRAWING—Model No. EPTL818041

R1204A

