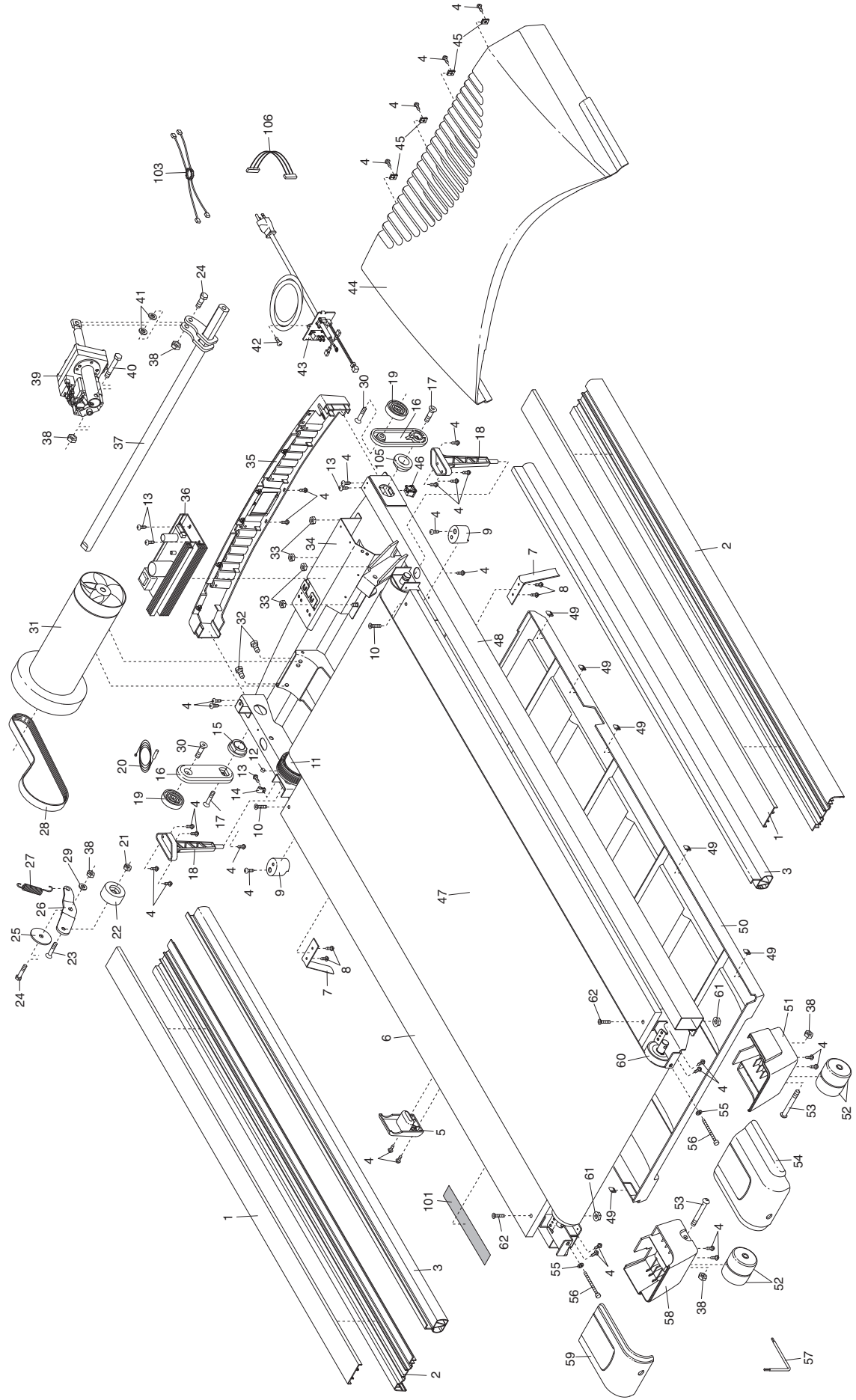


# EXPLODED DRAWING—Model No. EPTL88105.0

R0905D



# EXPLODED DRAWING—Model No. EPTL88105.0

R0905D

