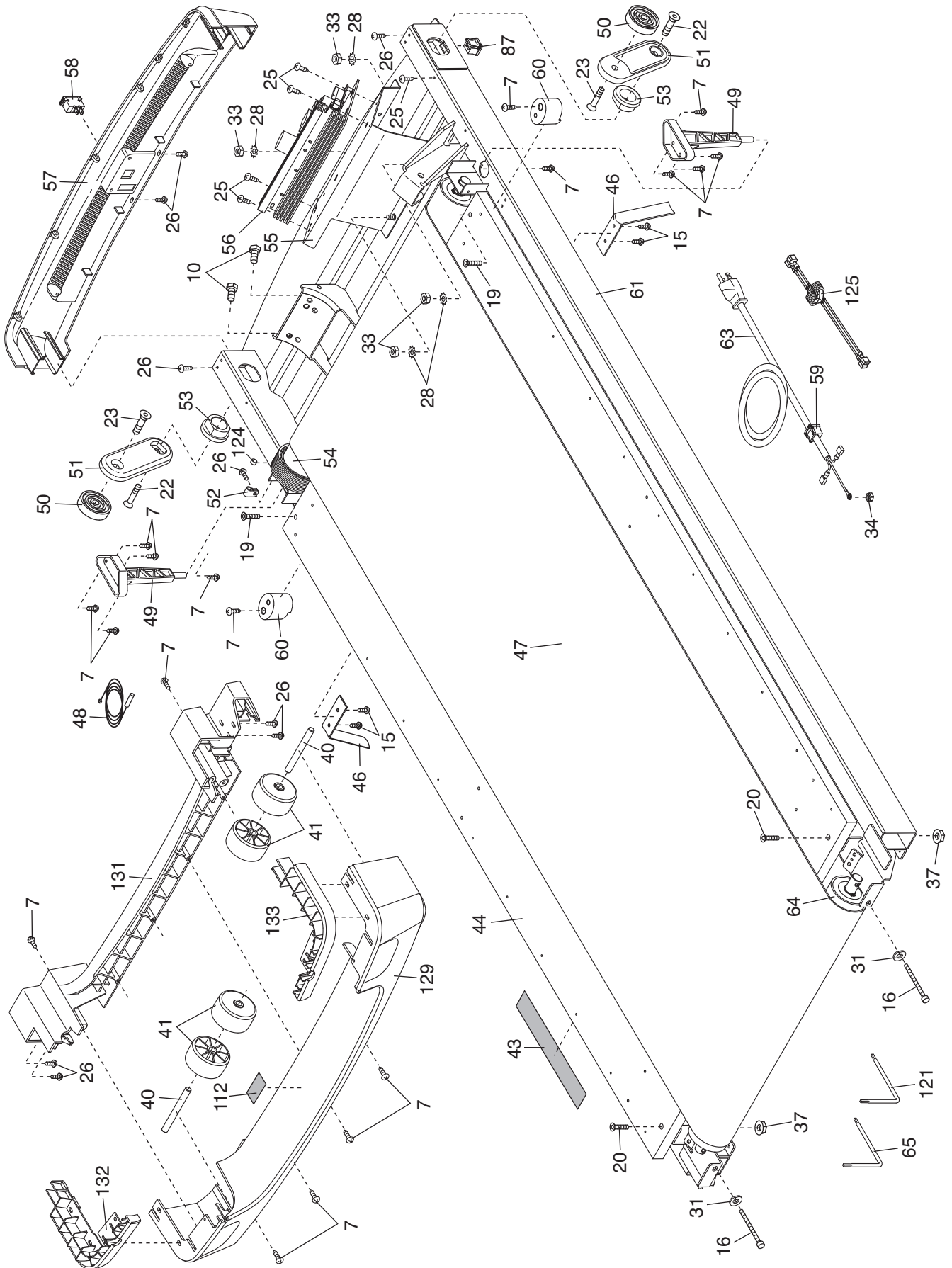


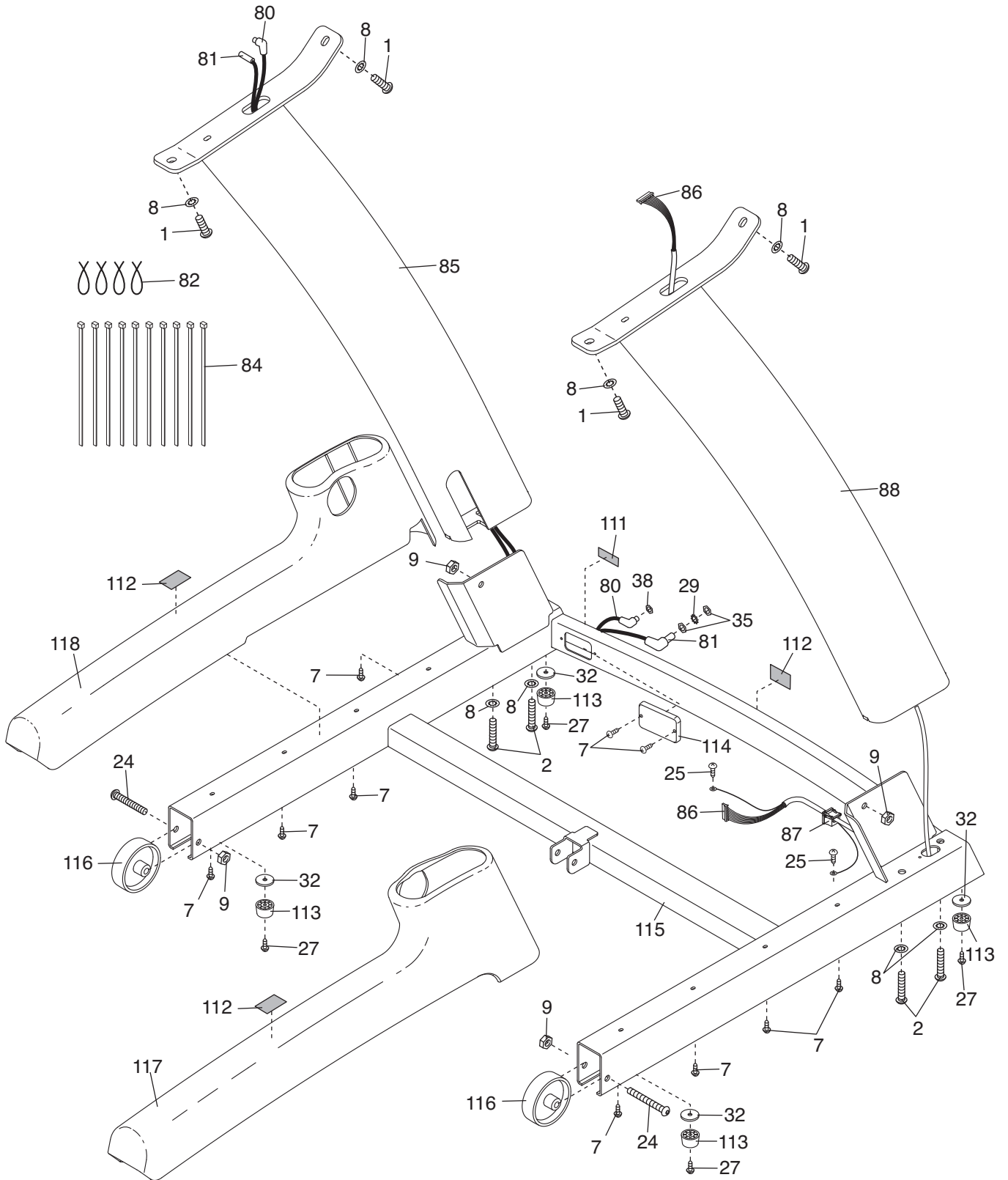
EXPLODED DRAWING A—Model No. EPTL99609.1

R0710A



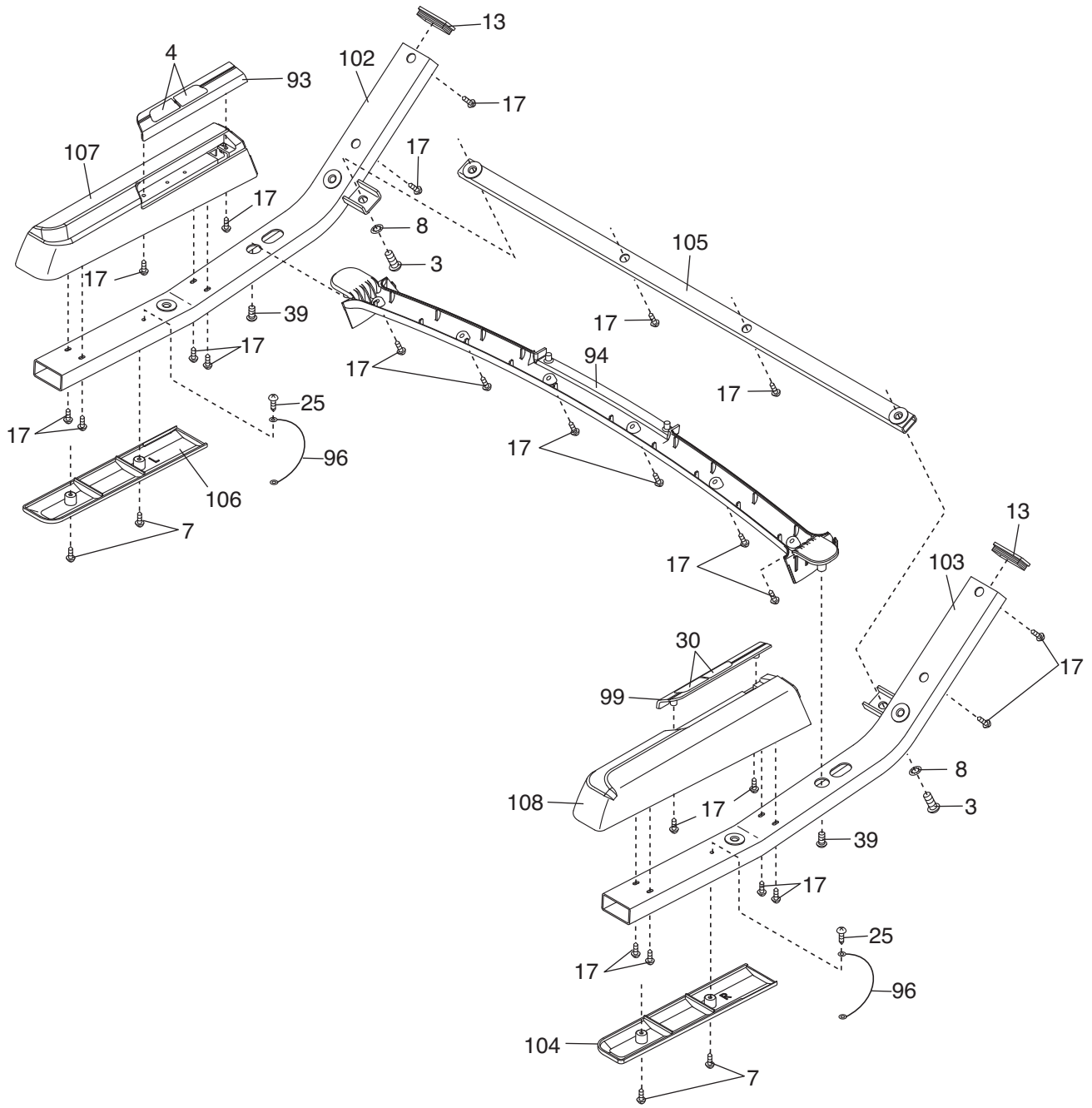
EXPLODED DRAWING C—Model No. EPTL99609.1

R0710A



EXPLODED DRAWING D—Model No. EPTL99609.1

R0710A



EXPLODED DRAWING E—Model No. EPTL99609.1

R0710A

