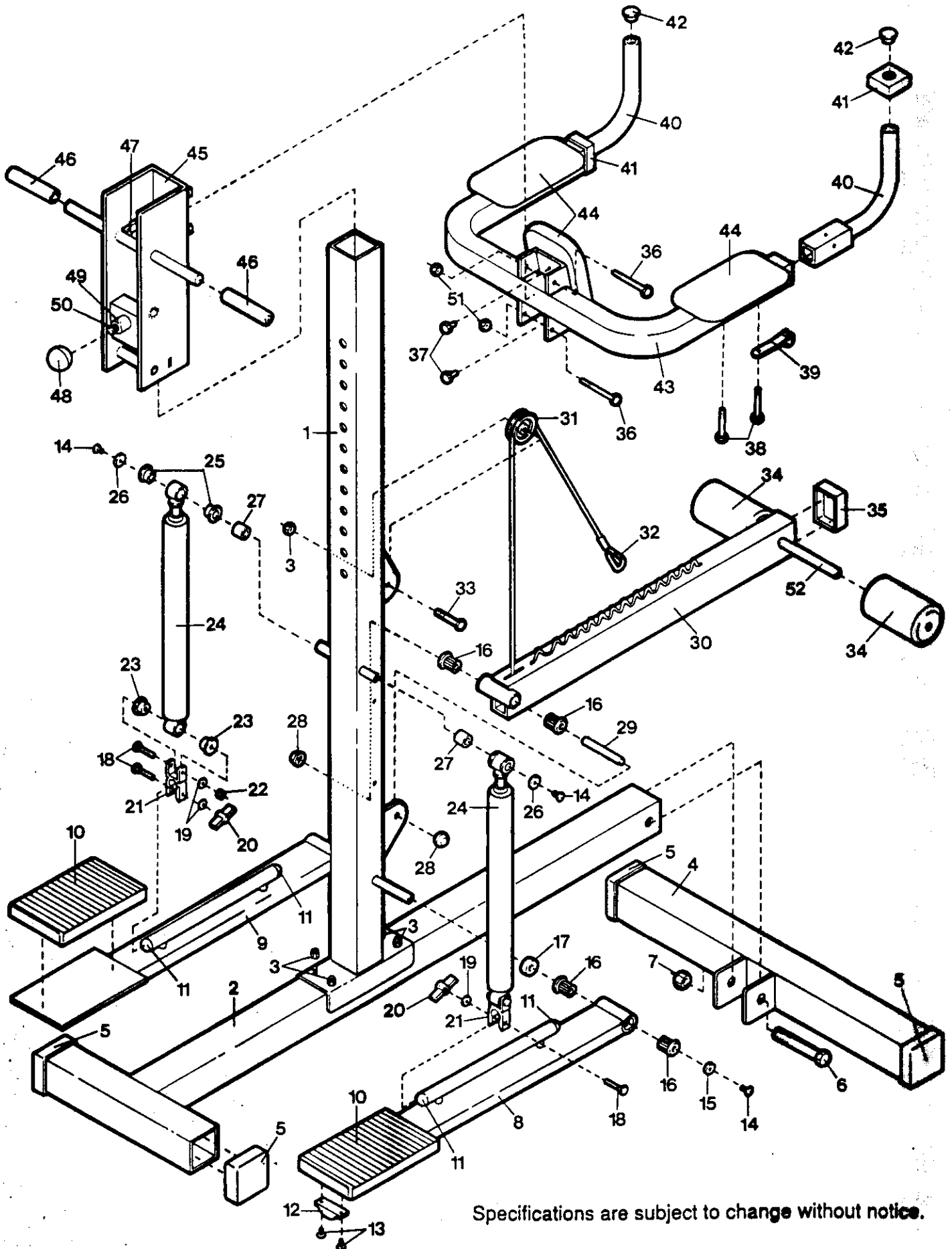


# EXPLODED DRAWING- Model No. PF202010

Rev. 10/91



Specifications are subject to change without notice.

MODEL NUMBER: PF20201  
VERSION: 00  
PRODUCT NAME: BODYLIFT CTS  
PRODUCT DESC:

MODEL/PART BOOK LISTING

PAGE 1  
INFO23P1

RUN DATE: 4/16/97  
RUN TIME: 12:57:39

KEY NUMBER	PART NUMBER	DESCRIPTION	QUANTITY
1	108070	UPRIGHT W/DECAL	1
2	106498	BASE	1
3	012108	LOCKNUT	5
4	108071	STABILIZER W/DECAL	1
5	100033	ENDCAP	4
6	013310	STABILIZER BOLT, .4"	1
7	012037	STABILIZER NUT	1
8	108072	RIGHT PEDAL ASSEMBLY	1
9	108073	LEFT PEDAL ASSEMBLY	1
10	104458	PEDAL COVER ASSEMBLY	2
11	040119	ADJUSTMENT TUBE ENDCAP	4
12	005040	BUMPER	2
13	013300	BUMPER SCREW, .75"	4
14	013244	SCREW, .60"	4
15	014164	PEDAL WASHER	2
16	100048	BUSHING	6
17	105501	PEDAL SPACER	2
18	100326	BRACKET BOLT, 1.75"	4
19	014073	BRACKET WASHER	4
20	100108	KNOB	2
21	016022	CYLINDER BRACKET	2
22	012056	BRACKET NUT	2
23	106876	LOWER CYLINDER BSHG SET	2
24	105445	RESISTANCE CYLINDER	2
25	106875	UPPER CYLINDER BSHG SET	2
26	014129	CYLINDER WASHER	2
27	100052	CYLINDER SPACER	2
28	103735	AXLECAP	2
29	107825	BODYLIFT AXLE W/AXLECAP	1
30	NLA	BODYLIFT ARM ASSEMBLY	1
31	106480	PULLEY	1
32	107081	CABLE CLIP	1
33	013564	BODYLIFT BOLT, 1.75"	1
34	106485	BODYLIFT FOAM PAD	2
35	105317	BODYLIFT ENDCAP	1
36	107488	SLEEVE BOLT, 4"	2
37	103025	SHORT VKR BOLT, .5"	2
38	013275	LONG VKR BOLT, 2.25"	4
39	104859	LOCKING SPRING	2
40	106525	VKR HANDLE	2
41	104858	COLLAR	2
42	106526	HANDLE ENDCAP	2
43	106522	VKR	1
44	106559	VKR PAD	3
45	108075	UPRIGHT SLEEVE	1
46	106515	STEPPER HANDLE	2
47	100073	SLEEVE BUSHING	2
48	100109	LOCK KNOB	1
49	100076	SPRING	1
50	100077	LOCK PIN ASSEMBLY	1
51	106541	SLEEVE NUT	2
52	106484	BODYLIFT BAR	1
53	104189	BRACKET SPACER	4
.	.	NON-ILLUSTRATED PARTS:	0

MODEL NUMBER: PF20201  
 VERSION: 00  
 PRODUCT NAME: BODYLIFT CTS  
 PRODUCT DESC:

MODEL/PART BOOK LISTING

RUN DATE: 4/16/97  
 RUN TIME: 12:57:39

KEY NUMBER	PART NUMBER	DESCRIPTION	QUANTITY
#	106339	STABILIZER DECAL	1
#	106340	UPRIGHT DECAL	1
#	106974	PEDAL DECAL	2
#	045023	ALLEN WRENCH	1
#	104838	GREASE	1
#	107498	EXERCISE MANUAL	1
#	106357	OWNERS MANUAL	1
#	106934	LITERATURE PACKET	1
.	.	106357 OWNERS MANUAL	1
.	.	107498 EXERCISE MANUAL	1
.	.	045023 ALLEN WRENCH	1
.	106528	HARDWARE KIT	1
.	.	104838 GREASE	1
.	.	106503 HWKIT, FRAME	1
.	.	012108 LOCKNUT	4
.	.	013310 SCREW, 4"	1
.	.	012037 LARGE LOCKNUT	1
.	.	106510 HWKIT, STEPPER	1
.	.	016022 CYLINDER BRACKET	2
.	.	100108 KNOB	2
.	.	100326 BRACKET BOLT	4
.	.	014073 BRACKET WASHER	4
.	.	012056 BRACKET NUT	2
.	.	104189 BRACKET SPACER	4
.	.	105501 PEDAL SPACER	2
.	.	100052 CYLINDER SPACER	2
.	.	013244 SCREW, .60"	4
.	.	014164 PEDAL WASHER	2
.	.	014129 CYLINDER WASHER	2
.	.	106516 HWKIT, BODYLIFT	1
.	.	106493 BODYLIFT AXLE	1
.	.	103735 AXLECAP	2
.	.	106480 PULLEY	1
.	.	013564 BODYLIFT BOLT	1
.	.	012108 LOCKNUT	1
.	.	107081 CABLE CLIP	1
.	.	106527 HWKIT, VKR	1
.	.	103025 VKR BOLT, .5"	2
.	.	013275 VKR BOLT, 2.25"	4
.	.	104859 LOCKING SPRING	2
.	.	104858 COLLAR	2
.	.	107488 SLEEVE BOLT, 4"	2
.	.	106541 SLEEVE NUT	2
.	.	100109 LOCK KNOB	1
.	.	106515 STEPPER HANDLE	2
.	.	106526 HANDLE ENDCAP	2
.	.	NOTE: HARDWARE KIT IS	0
.	.	SEPARATE FROM LIT PAC	0