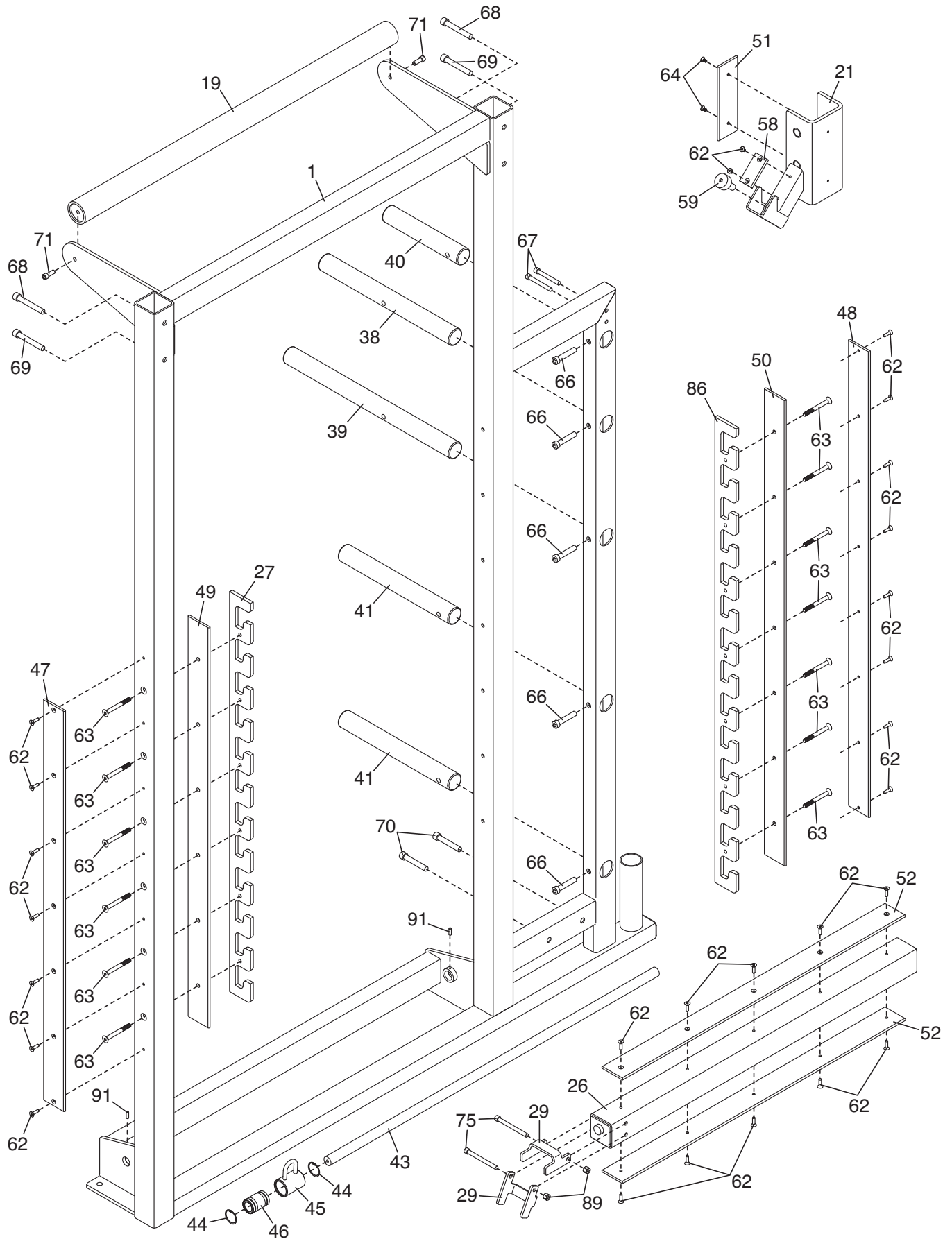


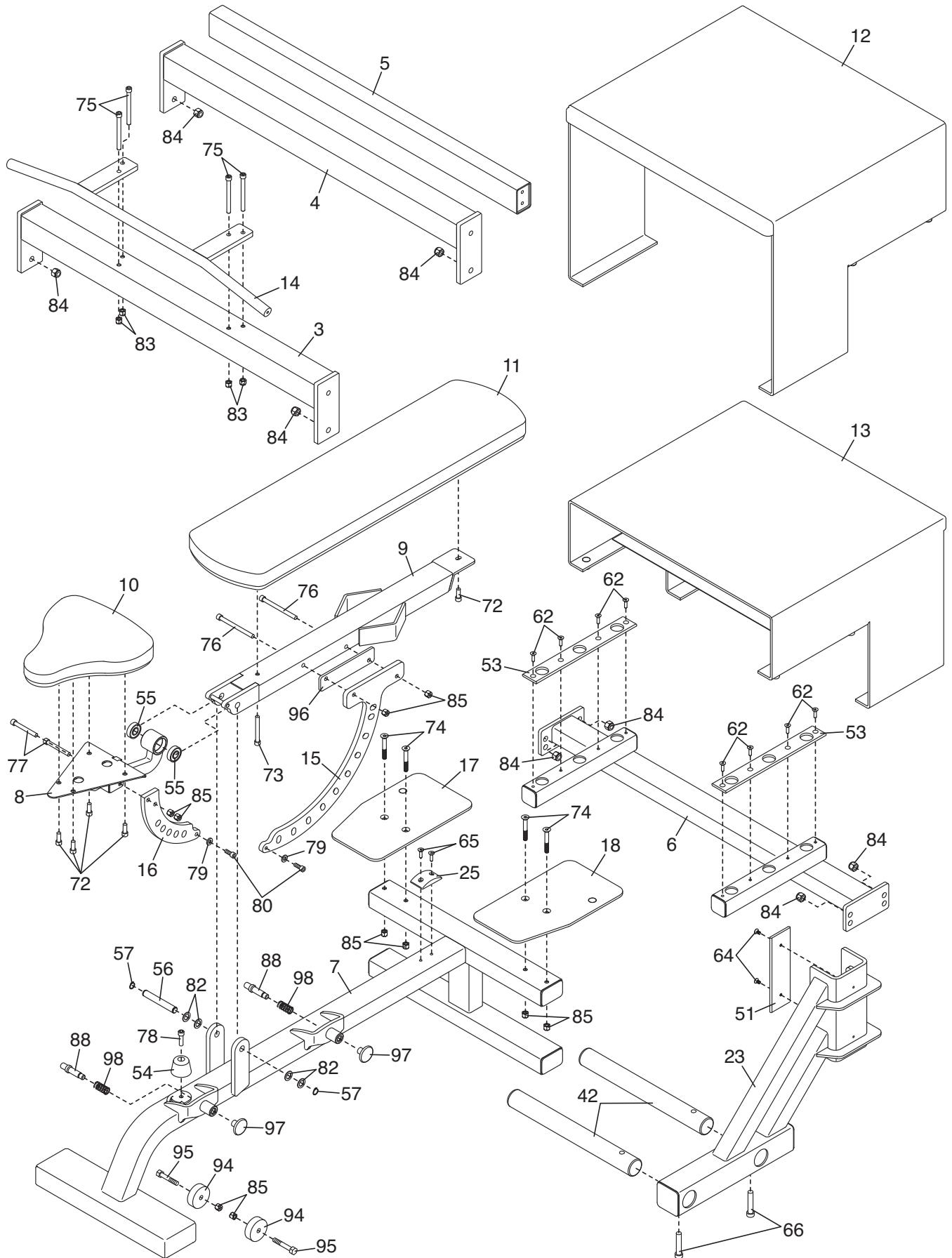
# EXPLODED DRAWING A—Model No. F400.0

R0210A



# EXPLODED DRAWING B—Model No. F400.0

R0210A



# EXPLODED DRAWING C—Model No. F400.0

R0210A

