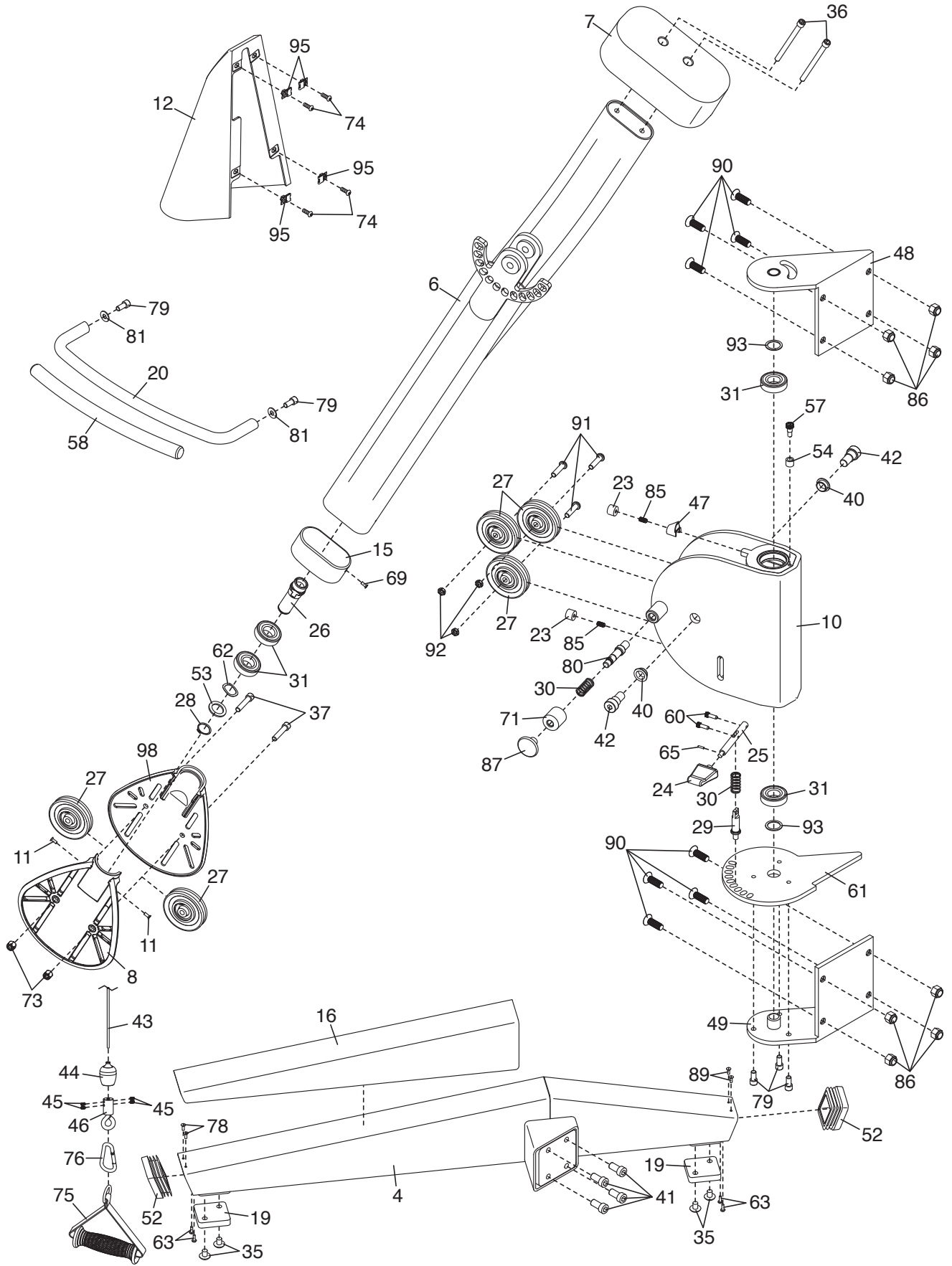


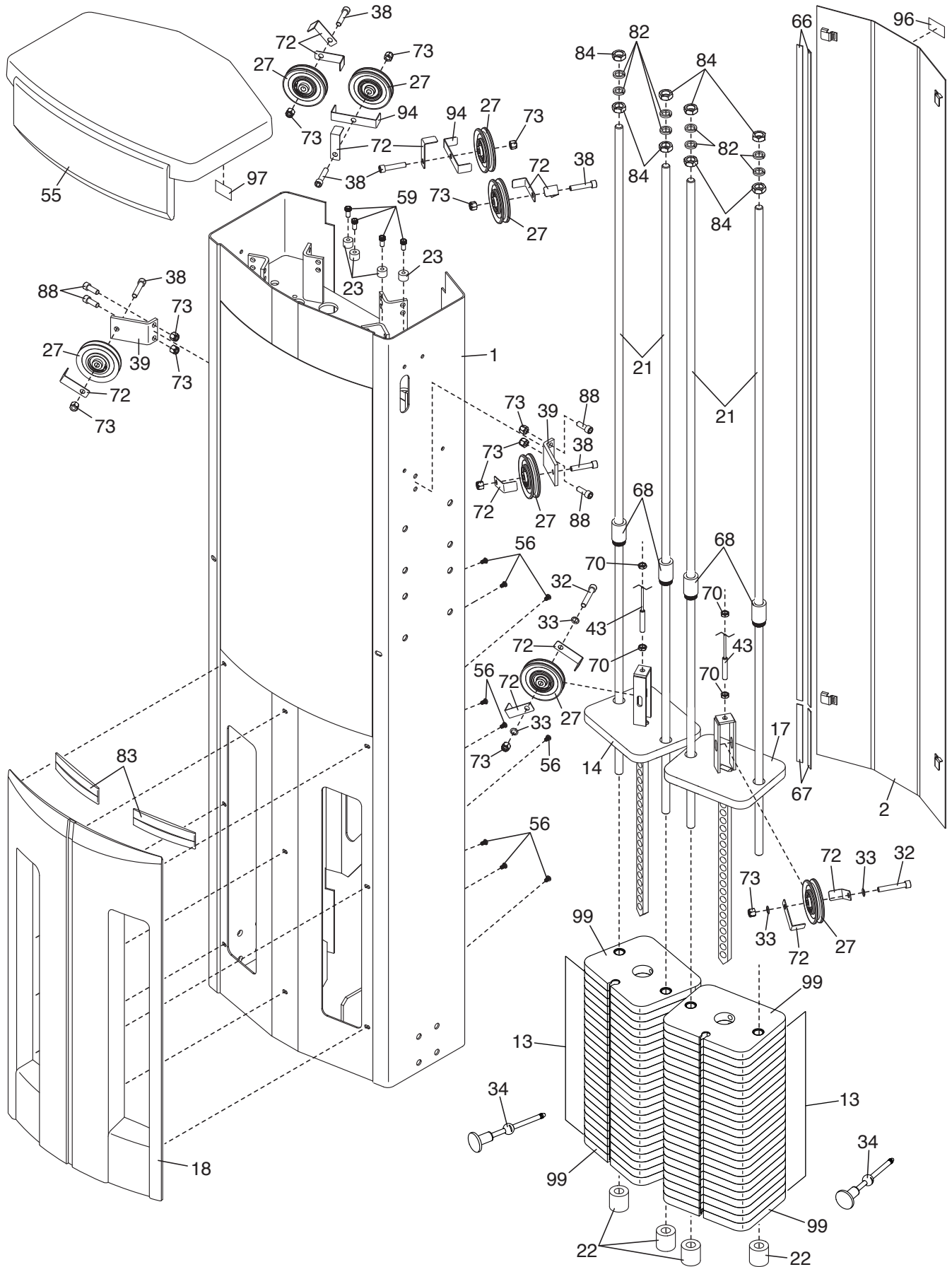
EXPLODED DRAWING A

Model No. F624.4 R0117A



EXPLODED DRAWING B

Model No. F624.4 R0117A



EXPLODED DRAWING C

Model No. F624.4 R0117A

