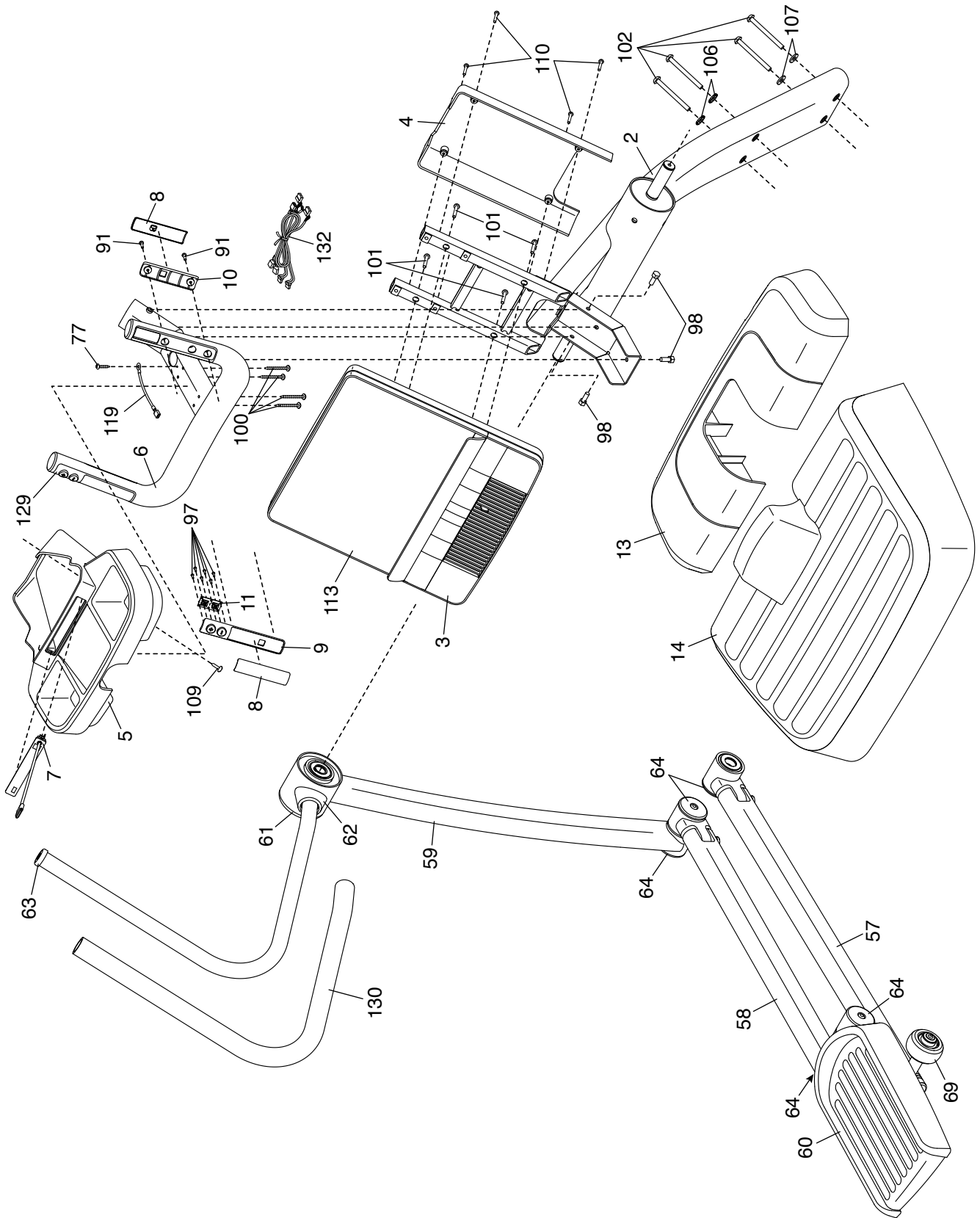


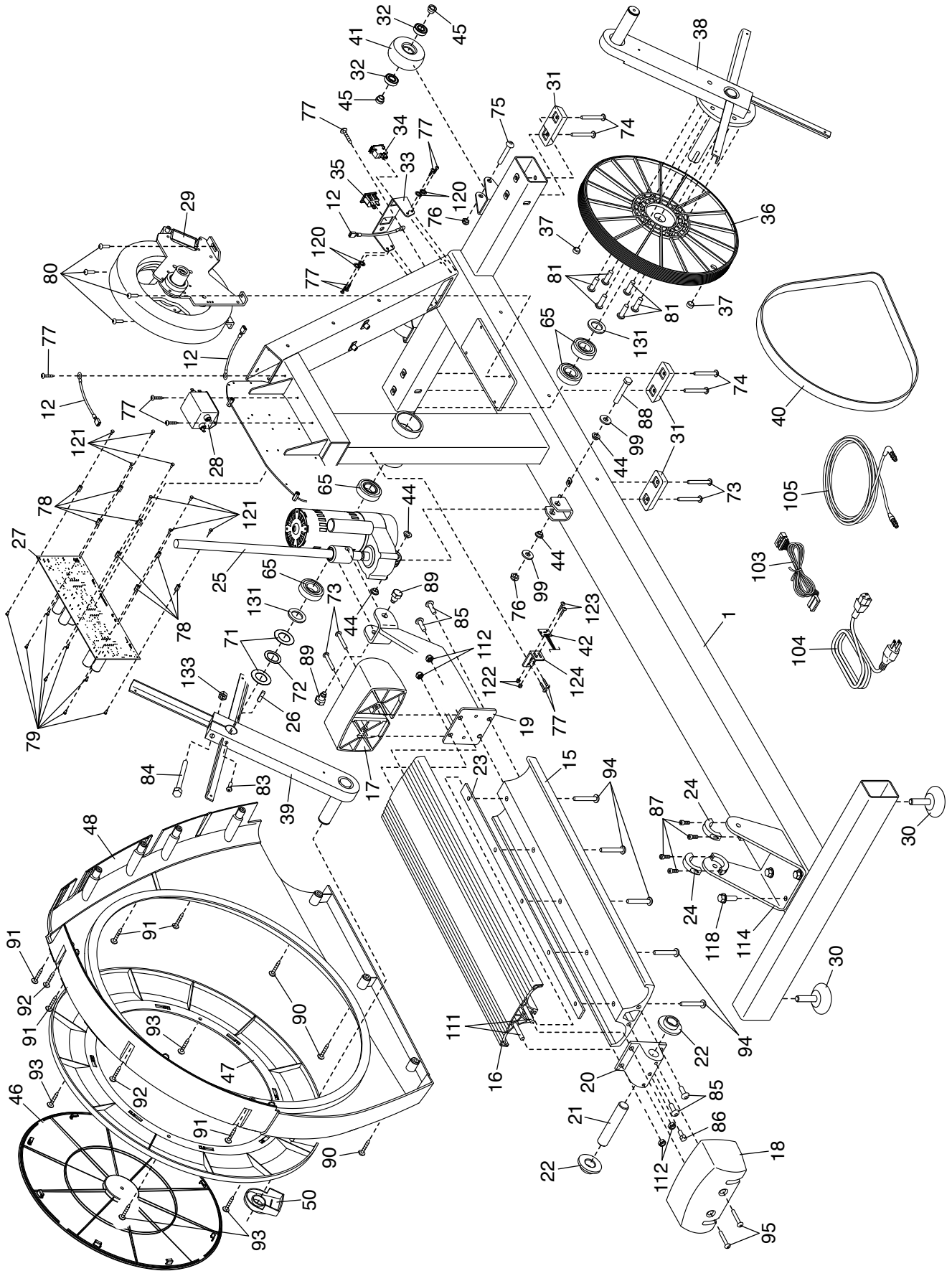
EXPLODED DRAWING A

Model No. FMEL84410.4 R1013A



EXPLODED DRAWING B

Model No. FMEL84410.4 R1013A



EXPLODED DRAWING C

Model No. FMEL84410.4 R1013A

