

To locate the parts listed below, see the EXPLODED DRAWING on pages 28 and 29.

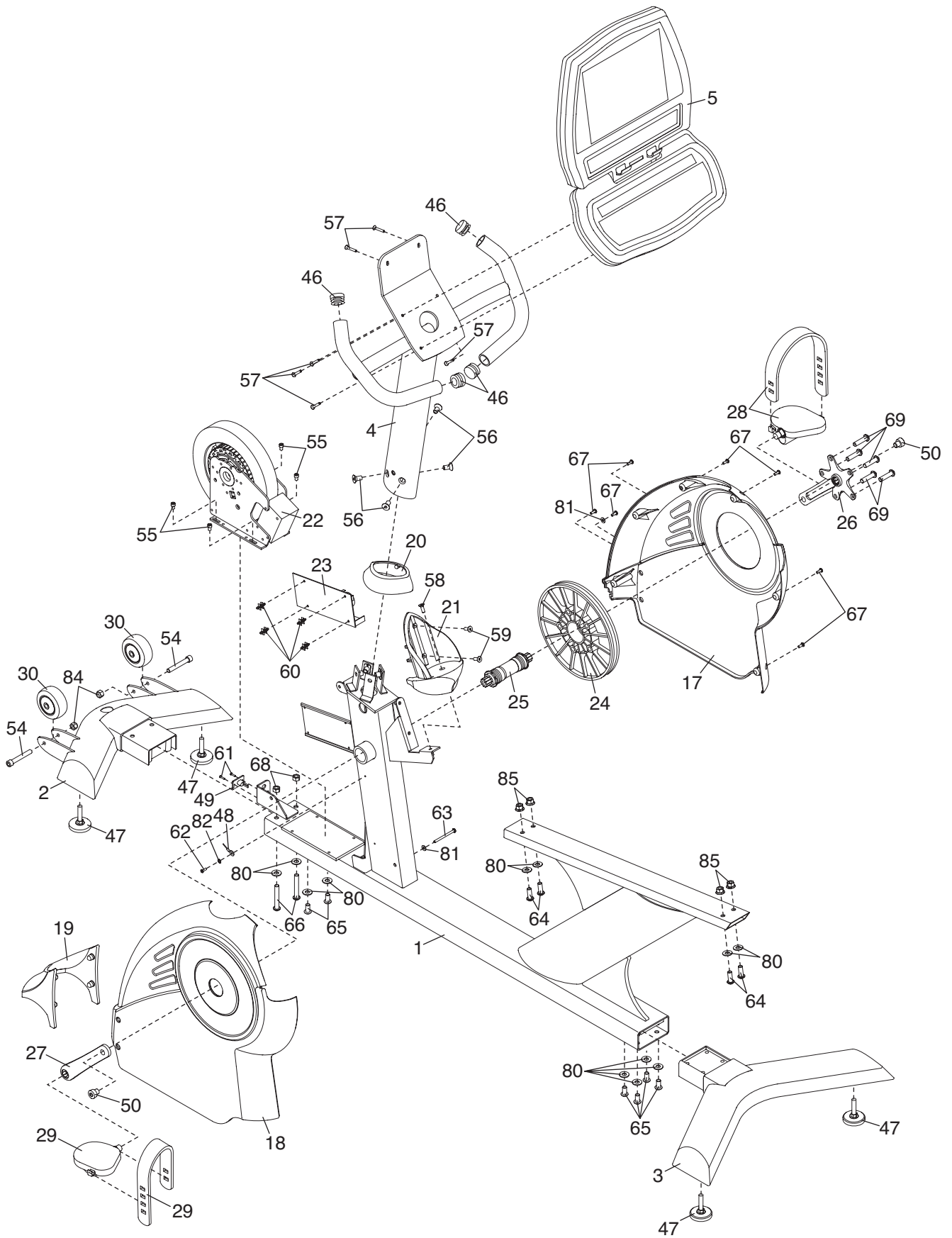
Key No.	Qty.	Description	Key No.	Qty.	Description	Key No.	Qty.	Description
1	1	Frame	31	1	Long Seat Handle	61	2	Plug Screw
2	1	Front Stabilizer	32	1	Short Seat Handle	62	1	Ground Screw
3	1	Rear Stabilizer	33	1	Seat Handle Connector	63	1	#10 Screw
4	1	Upright	34	1	Front Carriage Cap	64	4	Seat Rail Screw
5	1	Console	35	1	Rear Carriage Cap	65	6	Short Stabilizer Screw
6	1	Seat Rail	36	2	Pulse Grip	66	2	Long Stabilizer Screw
7	1	Seat Carriage	37	4	Grip Insert	67	7	Side Shield Screw
8	1	Seat Frame	38	4	Contact	68	2	Stabilizer Nut
9	1	Adjustment Plate	39	1	Power Supply	69	5	Crank Screw
10	1	Seat	40	1	8" Wire Harness	70	4	Pulse Grip Screw
11	1	Backrest Plate	41	6	Seat Roller	71	4	Seat Screw
12	1	Backrest	42	2	Seat Cam	72	2	Tray Screw
13	1	Right Accessory Tray	43	4	Carriage Stop	73	4	Seat Back Screw
14	1	Left Accessory Tray	44	2	Spring Base	74	8	Backrest Screw
15	1	Right Rail Cover	45	2	Spring	75	10	Rail Cover Screw
16	1	Left Rail Cover	46	6	Handlebar Cap	76	8	Carriage Cap Screw
17	1	Right Side Shield	47	4	Leveling Foot	77	6	Seat Assembly Screw
18	1	Left Side Shield	48	1	Ground Wire	78	6	Wheel Screw
19	1	Side Shield Cover	49	1	Plug	79	4	Carriage Stop Screw
20	1	Upright Cover	50	2	Crank Screw	80	12	3/8" Flat Washer
21	1	Bottle Holder	51	2	Cam Bumper	81	2	#10 Flat Washer
22	1	Generator Assembly	52	6	Carriage Spacer	82	1	Ground Washer
23	1	Power Board	53	2	Roll Pin	83	6	Carriage Wheel Nut
24	1	Pulley	54	2	Wheel Screw	84	2	Wheel Nut
25	1	Axle	55	4	Generator Screw	85	4	Flange Nut
26	1	Right Crank Arm	56	4	Upright Screw	86	3	Set Screw
27	1	Left Crank Arm	57	6	Console Mating Screw	#	-	User's Manual
28	1	Right Pedal	58	5	Carriage Socket Screw	#	-	Hex Key
29	1	Left Pedal	59	2	Bottle Holder Screw	#	-	ECA Audio Jack
30	2	Wheel	60	4	Standoff			Assembly

Note: “#” indicates a non-illustrated part. Specifications are subject to change without notice.

If replacement parts are needed, or if parts are missing or damaged, see HOW TO CONTACT CUSTOMER CARE on page 2.

EXPLODED DRAWING A

R1206A



EXPLODED DRAWING B

R1206A

