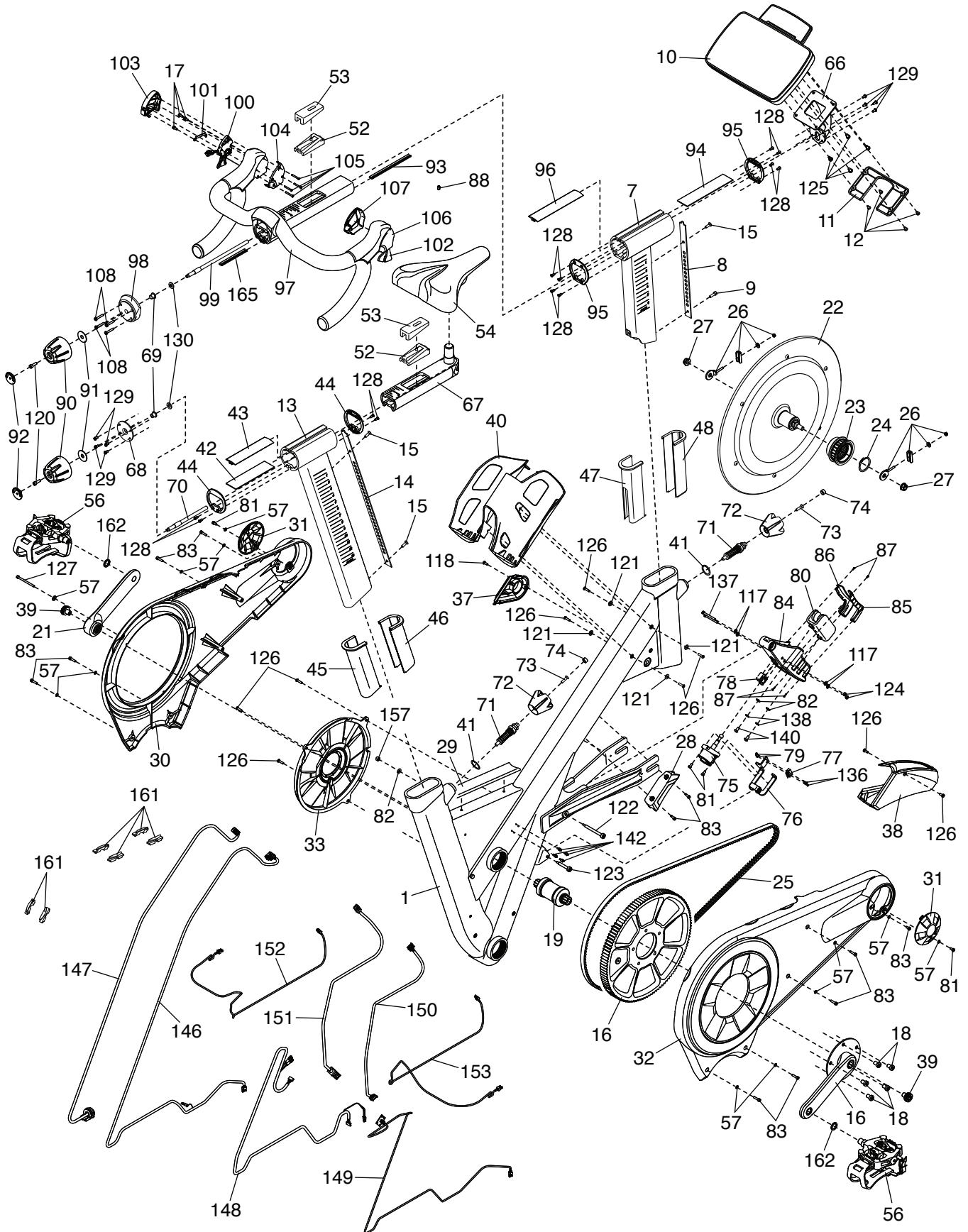


EXPLODED DRAWING A

Model No. FMEX81912.1 R0217B



EXPLODED DRAWING B

Model No. FMEX81912.1 R0217B

