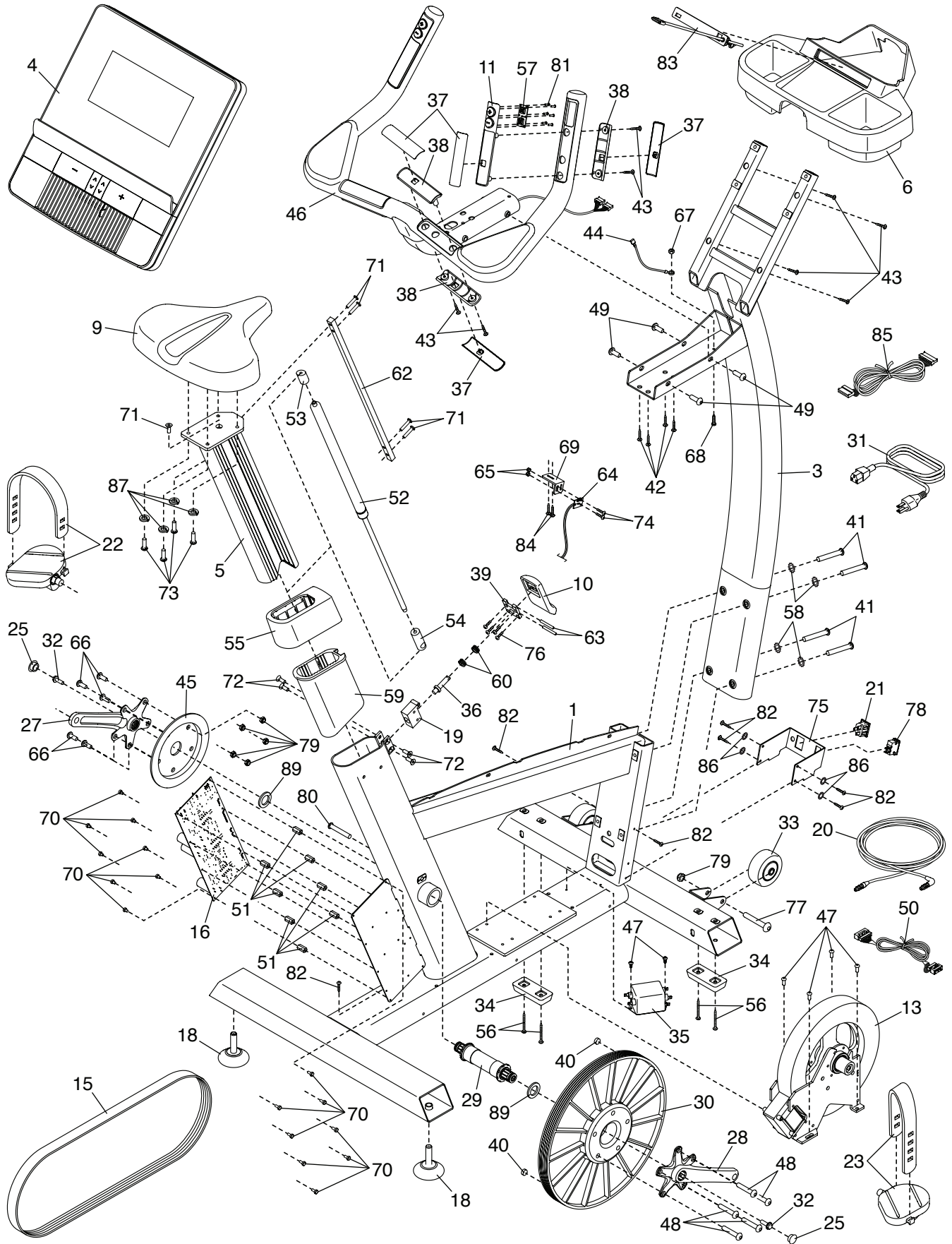


# EXPLODED DRAWING A

Model No. FMEX82410.0 R0812B



# EXPLODED DRAWING B

Model No. FMEX82410.0 R0812B

