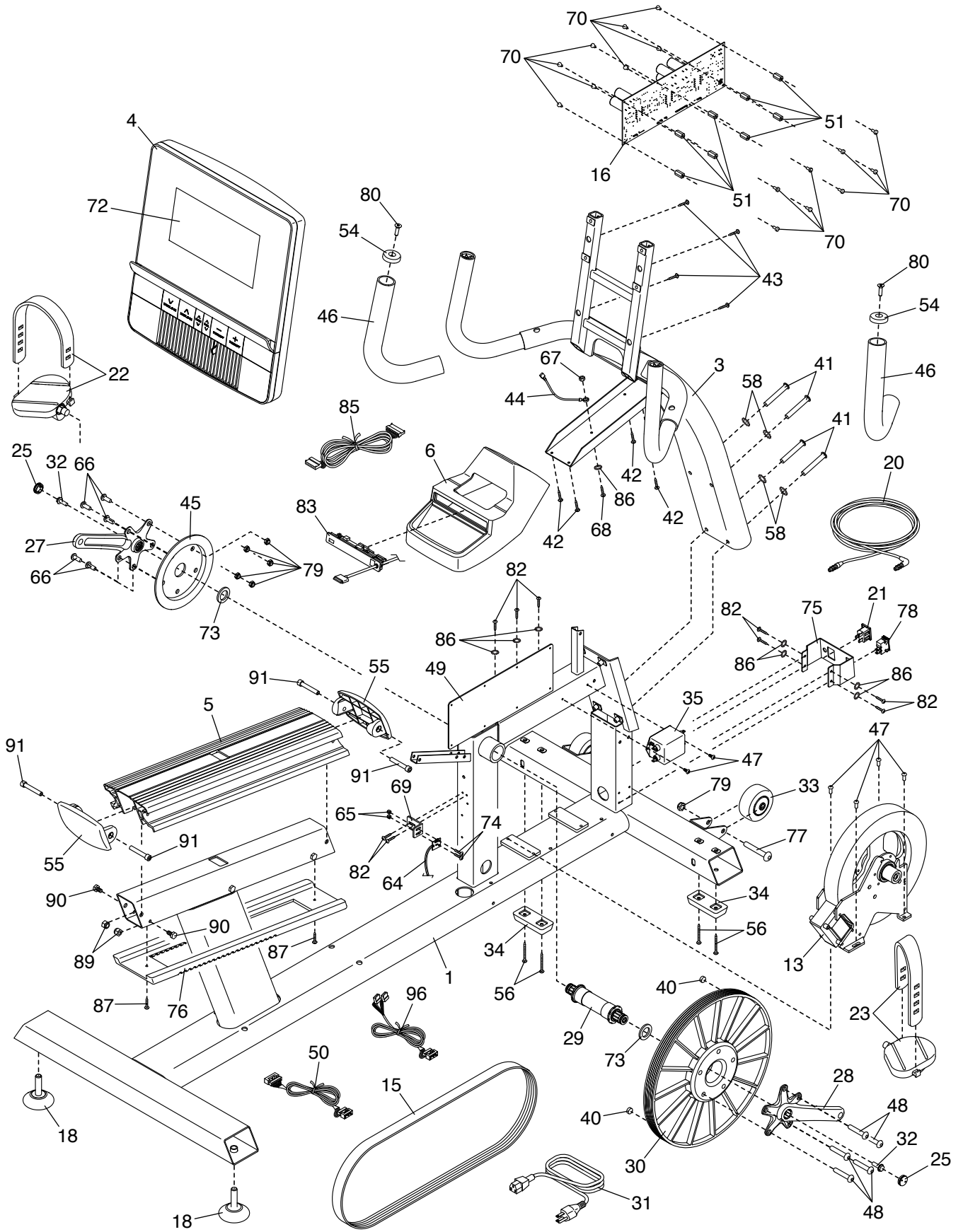


EXPLODED DRAWING A

Model No. FMEX82510-INT.3 R0813A



EXPLODED DRAWING B

Model No. FMEX82510-INT.3 R0813A

