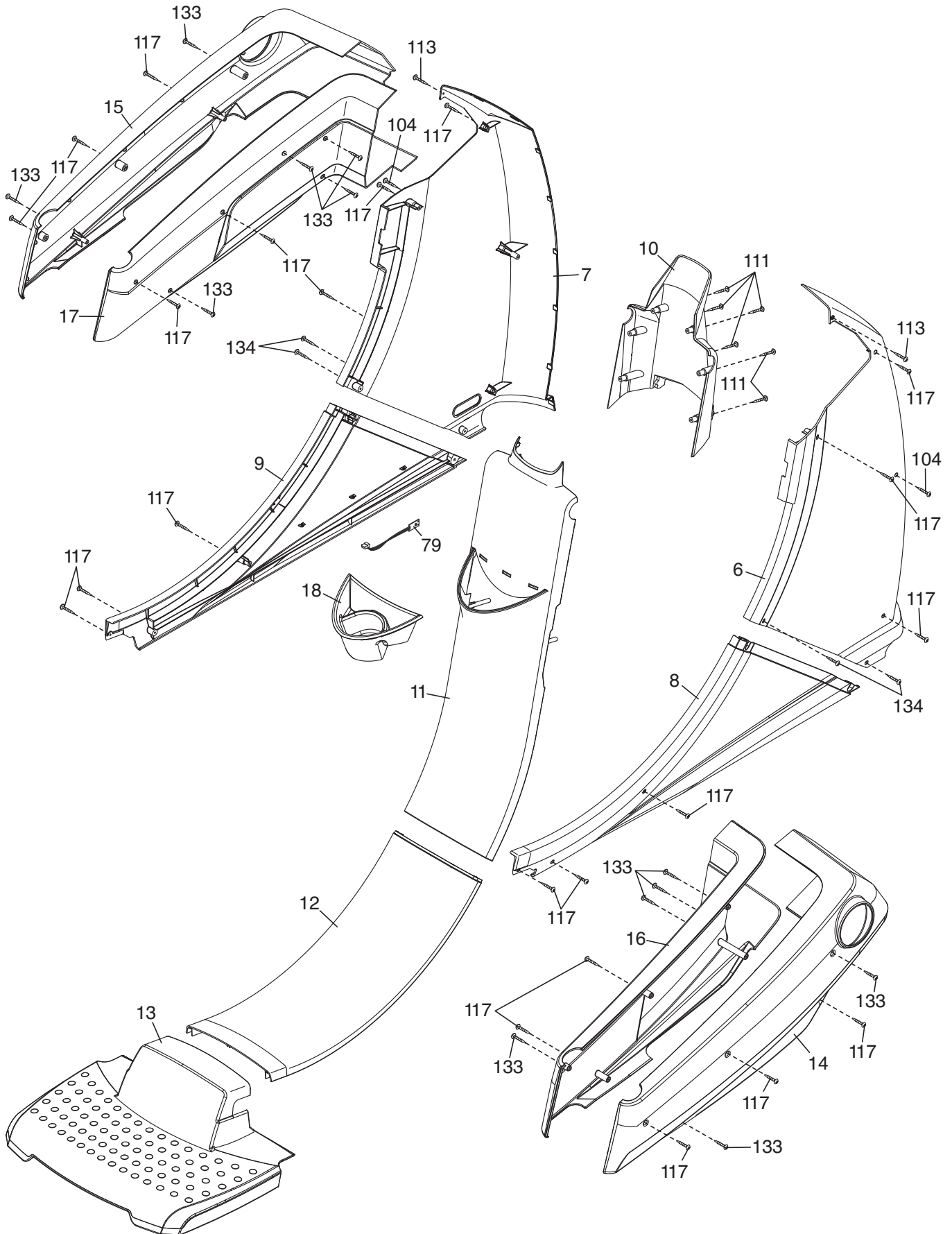


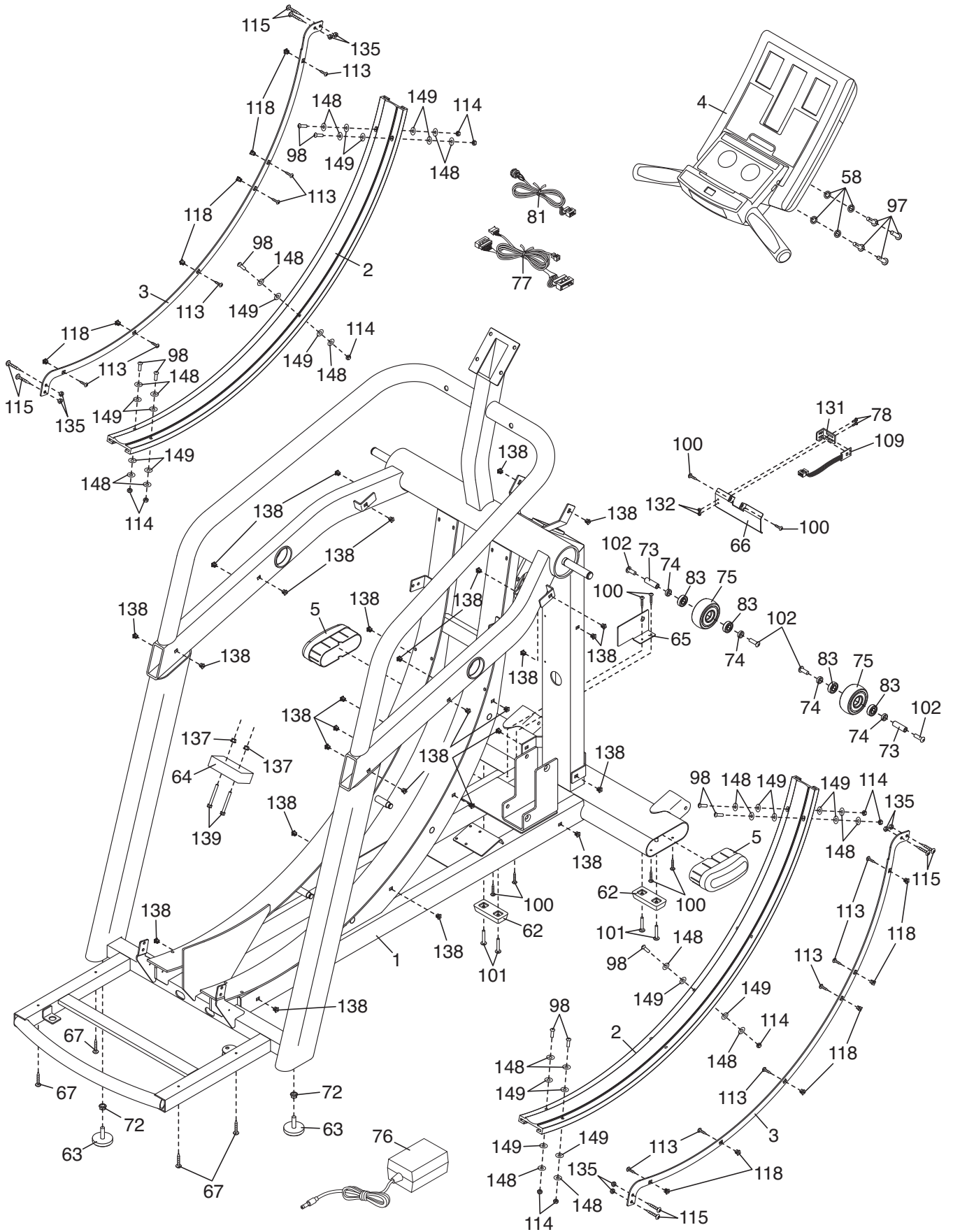
EXPLODED DRAWING A

Model No. FMSR84409-INT.1 R0211A



EXPLODED DRAWING B

Model No. FMSR84409-INT.1 R0211A



EXPLODED DRAWING C

Model No. FMSR84409-INT.1 R0211A

