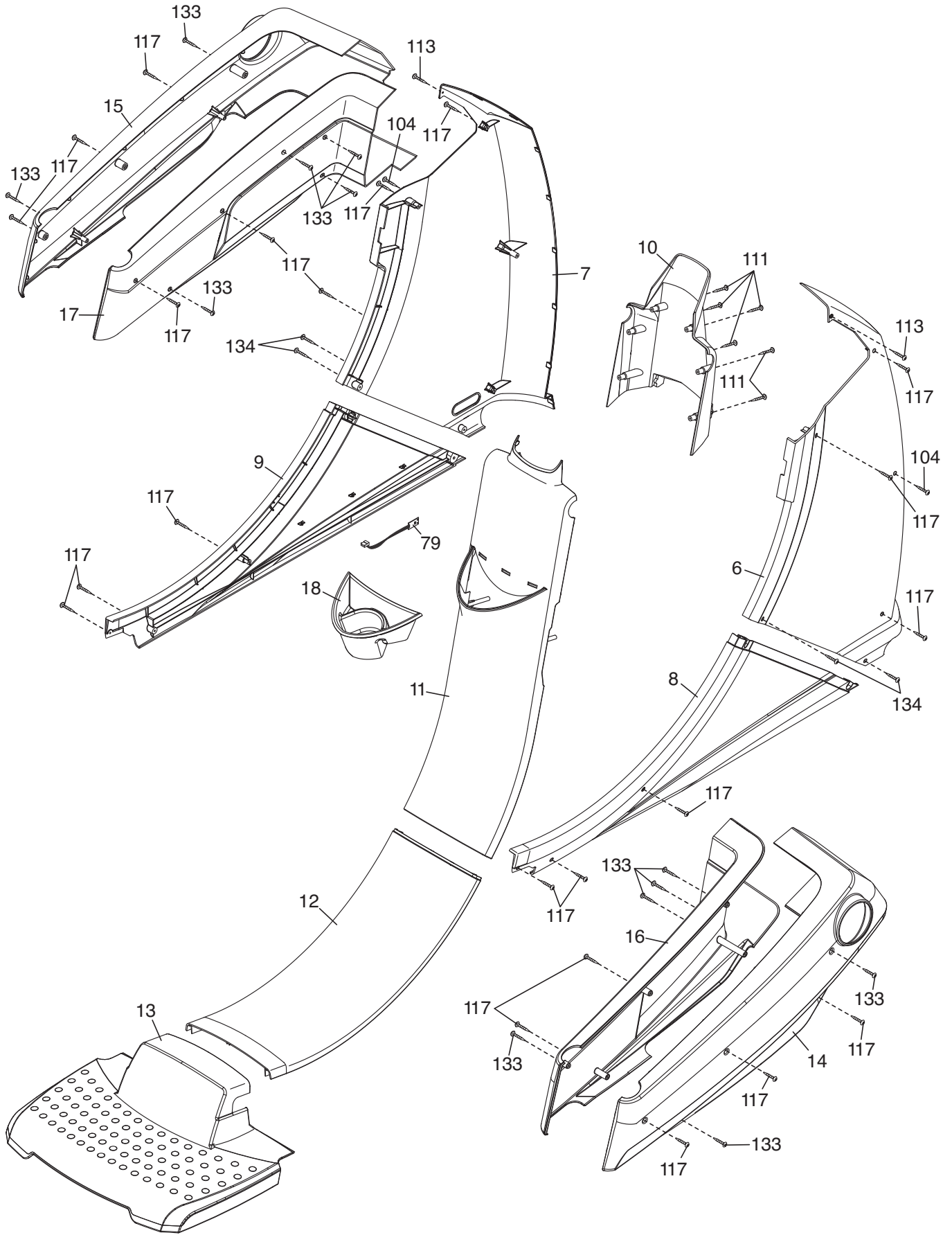


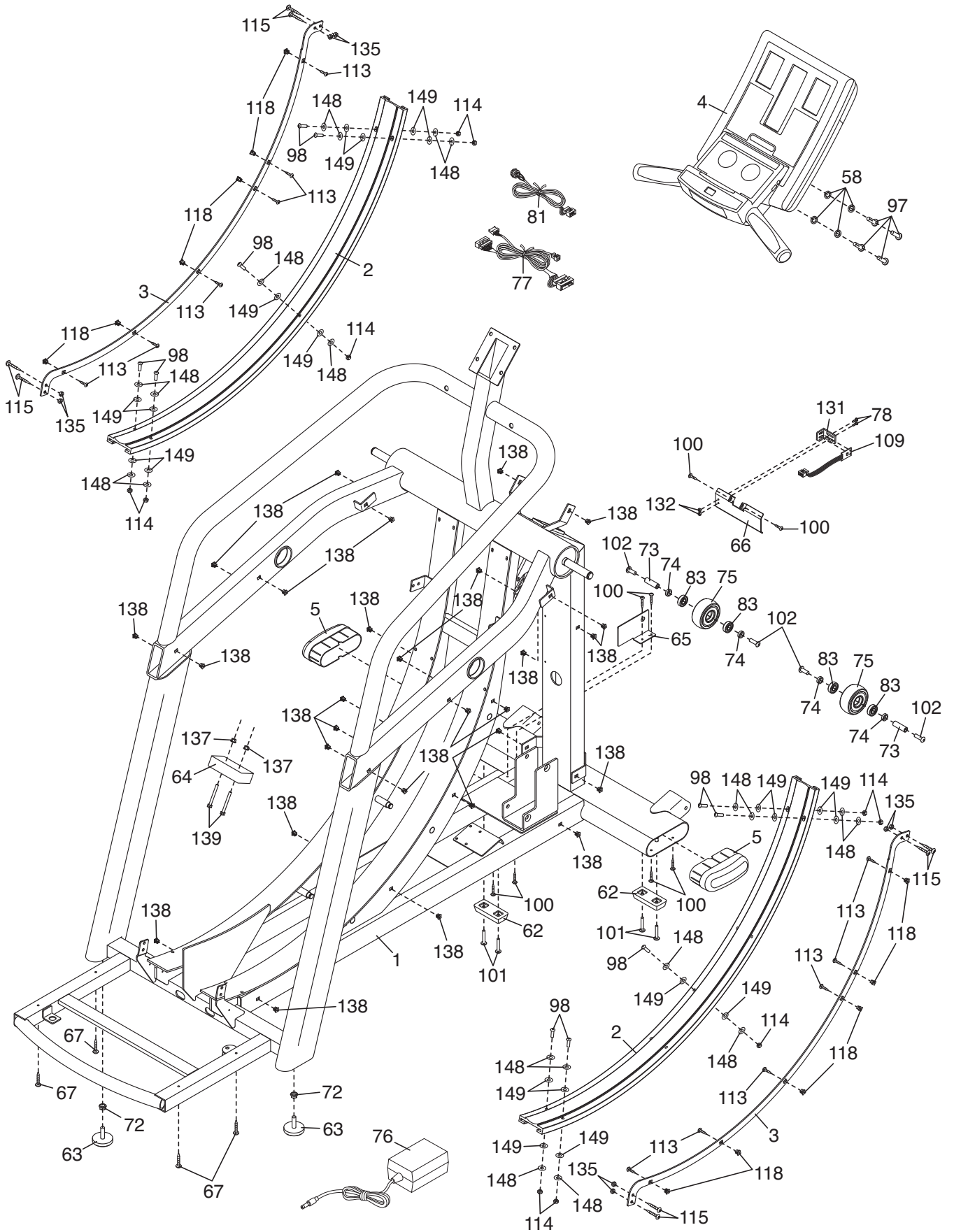
# EXPLODED DRAWING A

Model No. FMSR84409-INT.2 R0511A



# EXPLODED DRAWING B

Model No. FMSR84409-INT.2 R0511A



# EXPLODED DRAWING C

Model No. FMSR84409-INT.2 R0511A

