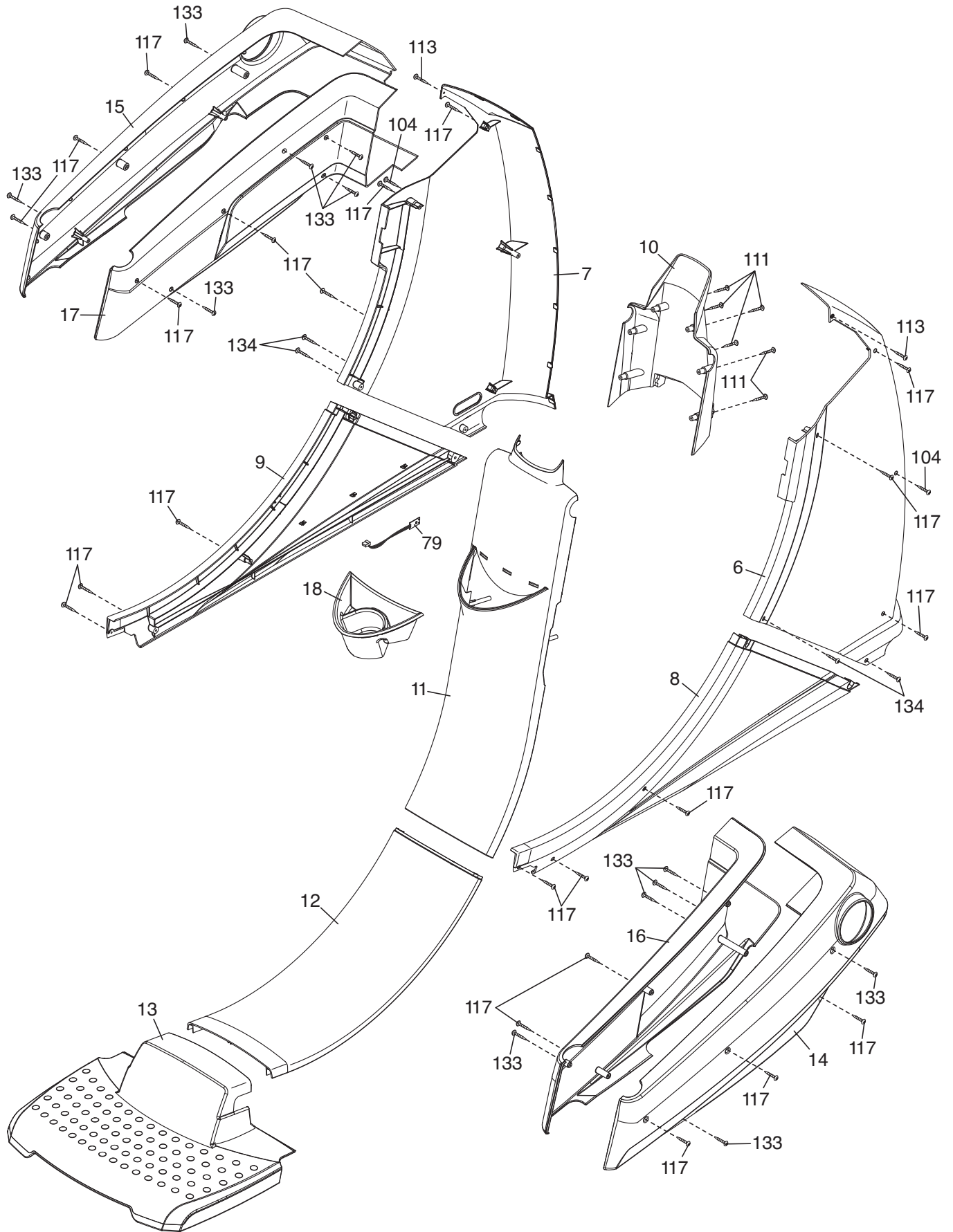


EXPLODED DRAWING A

Model No. FMSR84409.2, FMSR84509.2 R0511A



EXPLODED DRAWING C

Model No. FMSR84409.2, FMSR84509.2 R0511A

