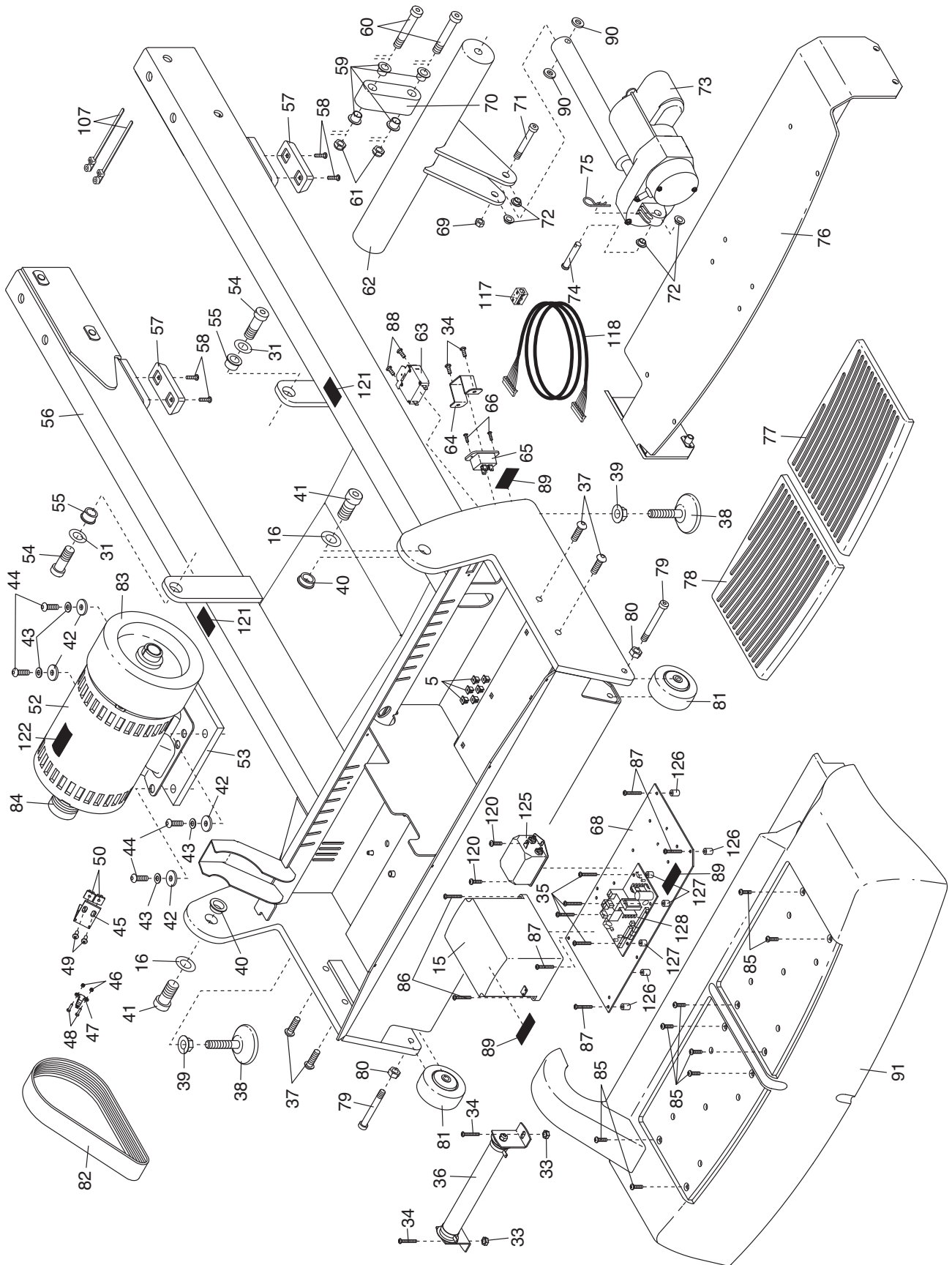
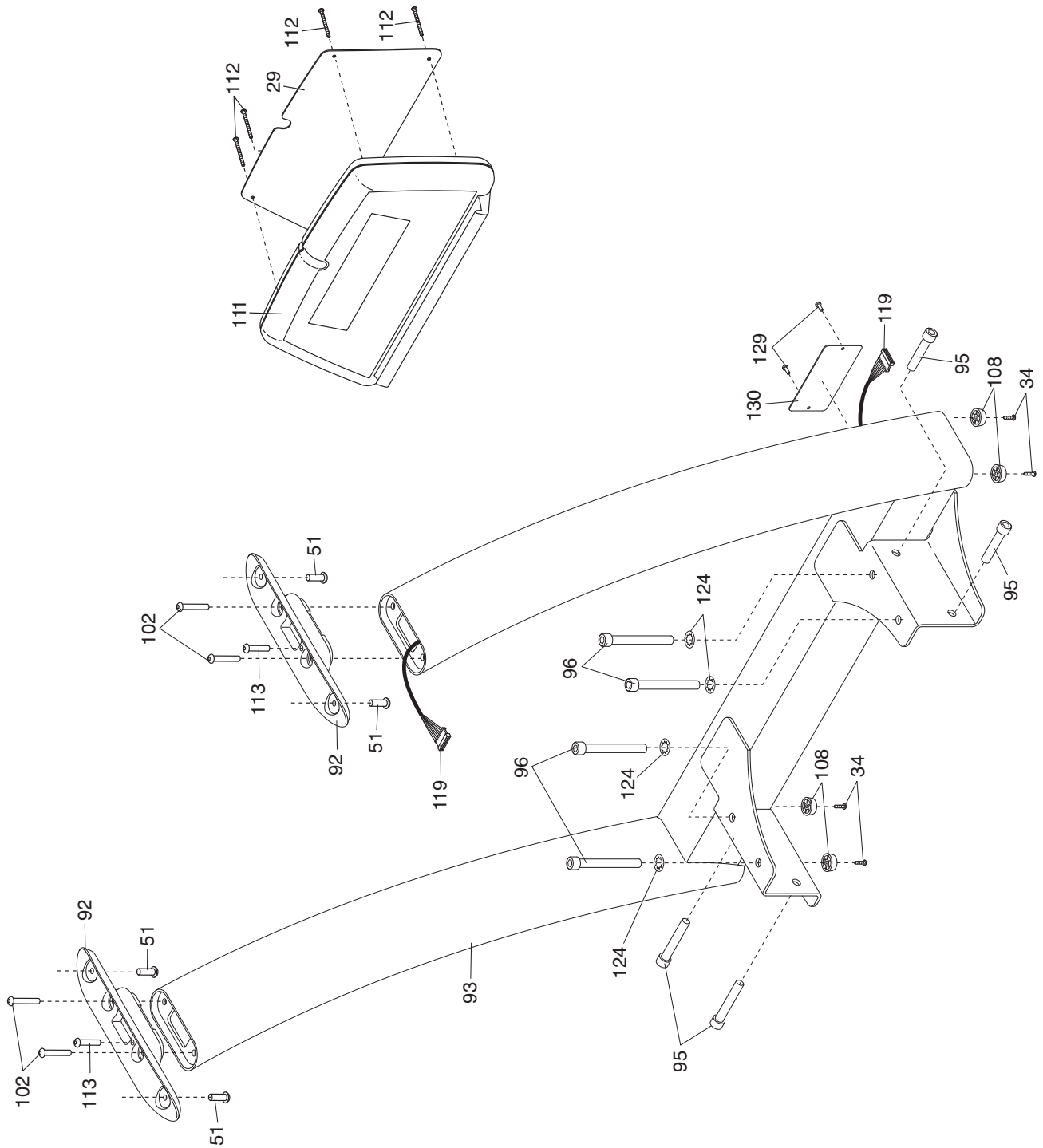




# EXPLODED DRAWING B—Model No. FMTK7256-INT.0 R0710A



# EXPLODED DRAWING C—Model No. FMTK7256-INT.0 R0710A



# EXPLODED DRAWING D—Model No. FMTK7256-INT.0 R0710A

