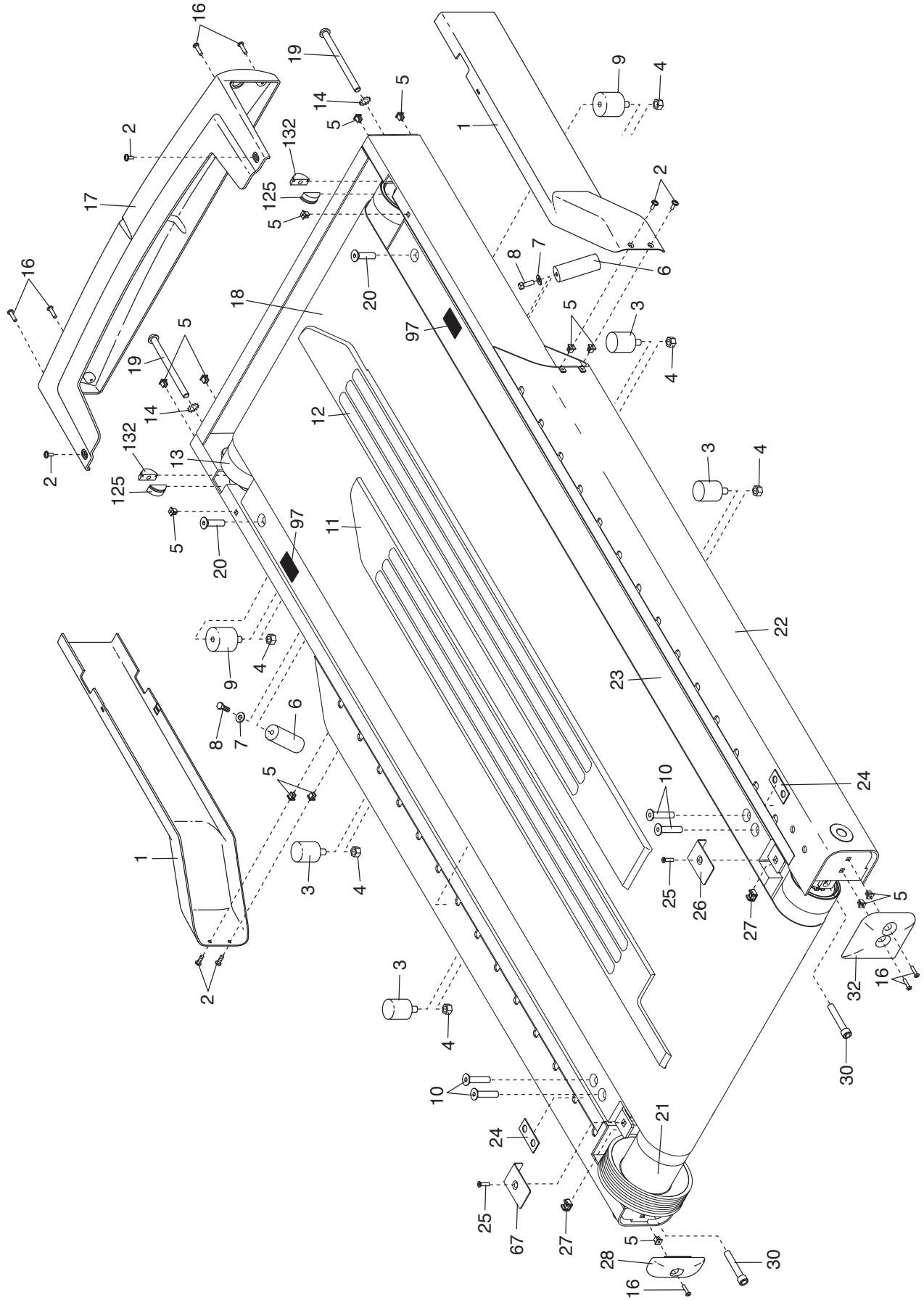


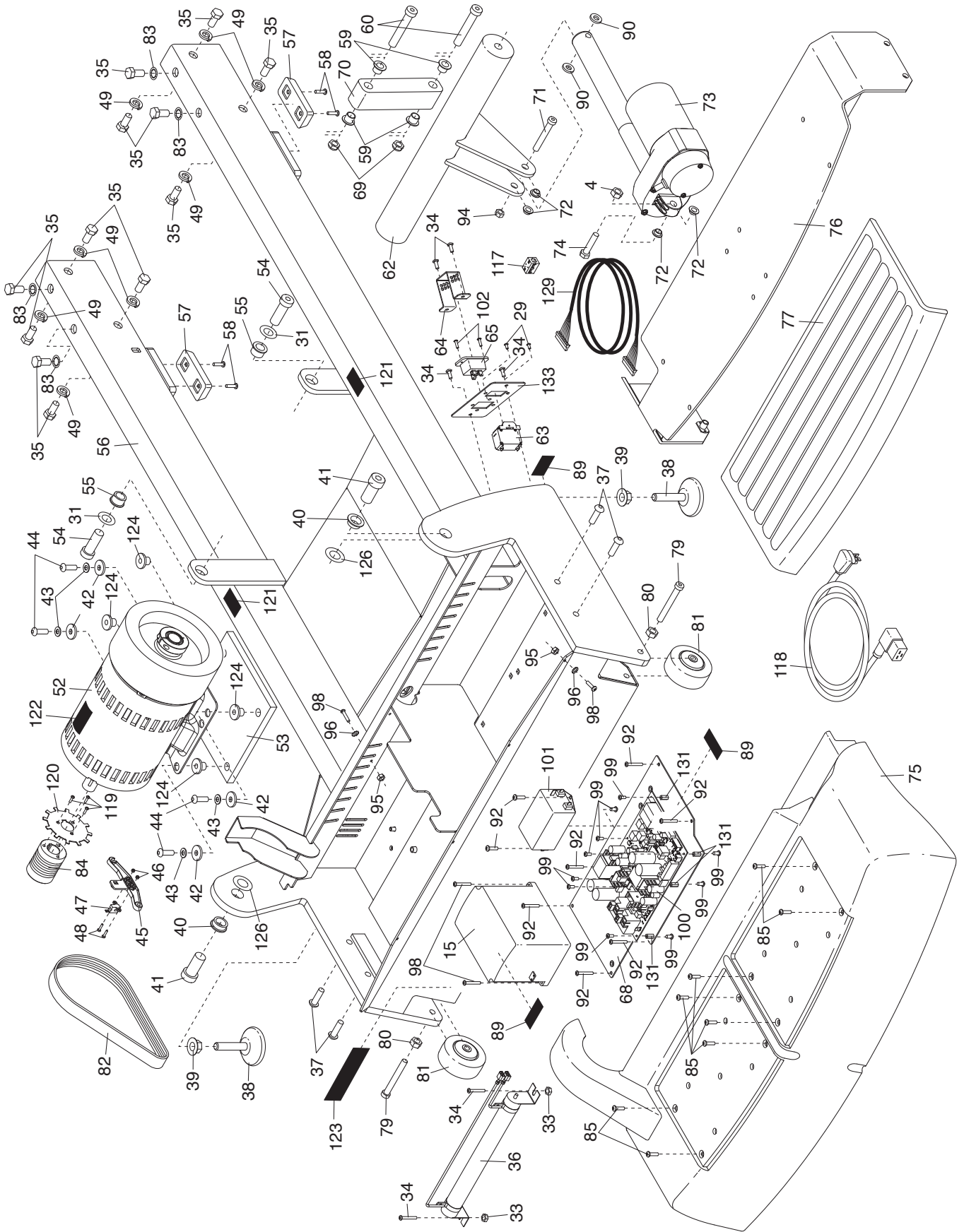
# EXPLODED DRAWING A

Model No. FMTK74810.0 R0212A



# EXPLODED DRAWING B

Model No. FMTK74810.0 R0212A



# EXPLODED DRAWING C

Model No. FMTK74810.0 R0212A

