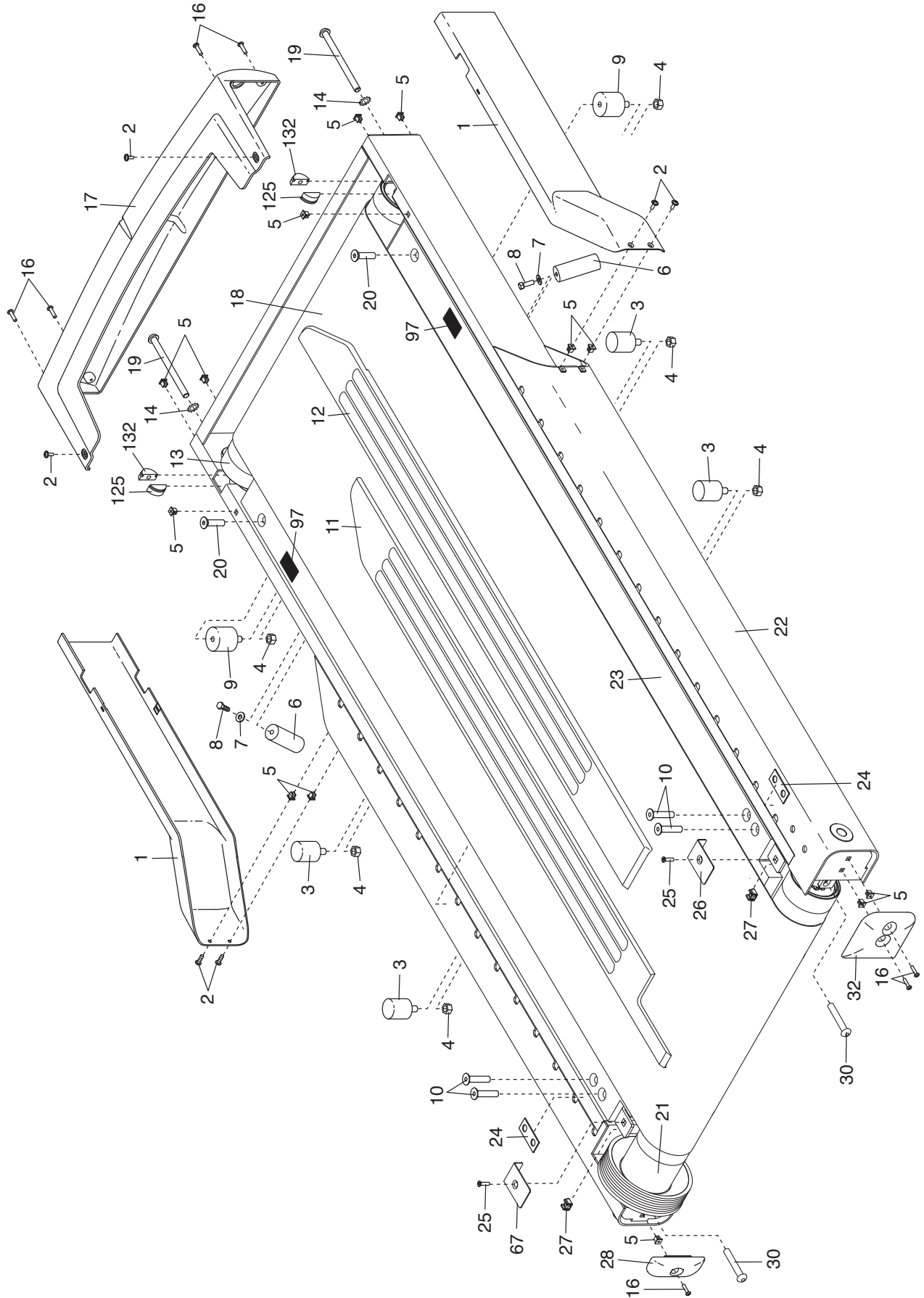


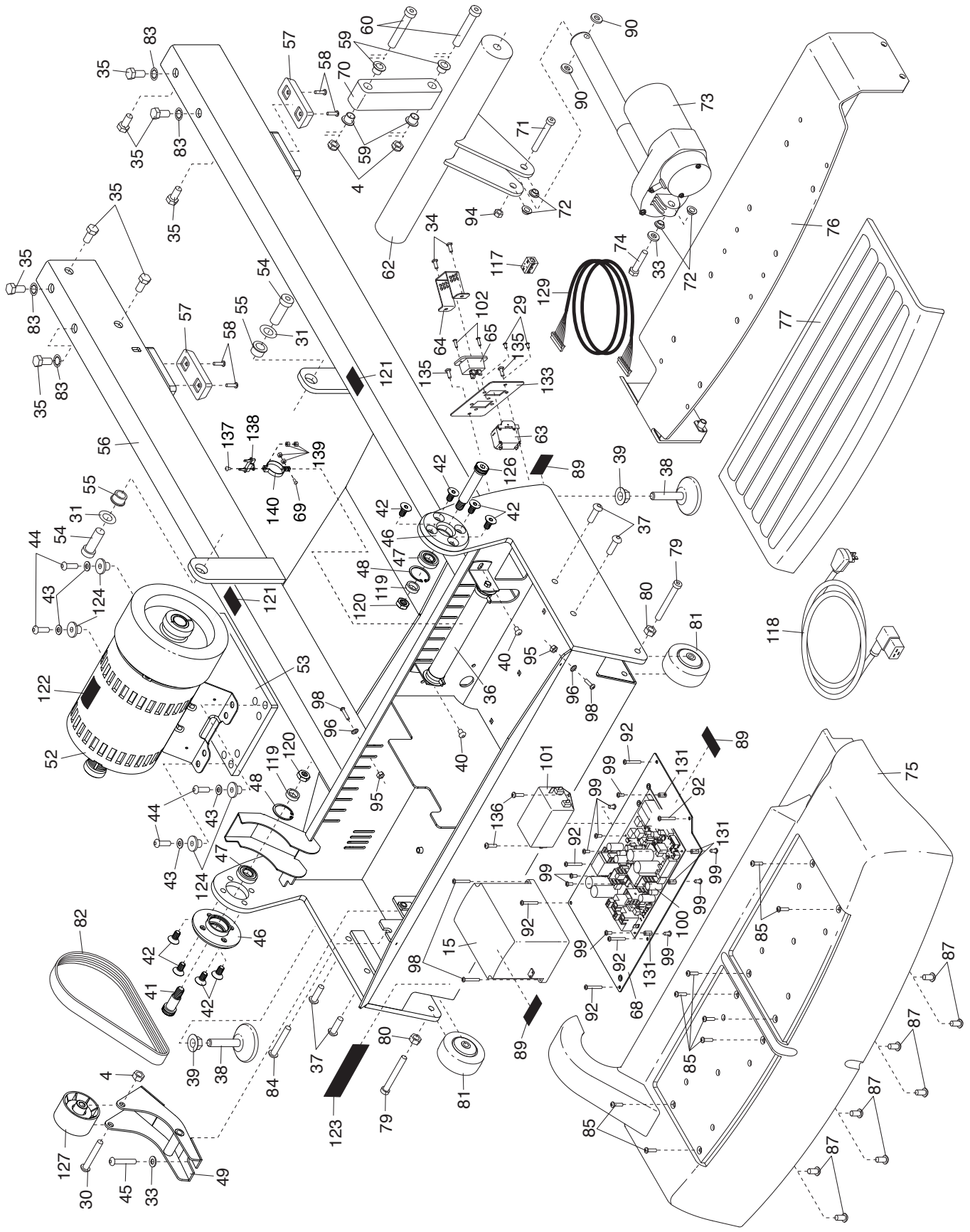
# EXPLODED DRAWING A

Model No. FMTK74810.14 R0417A



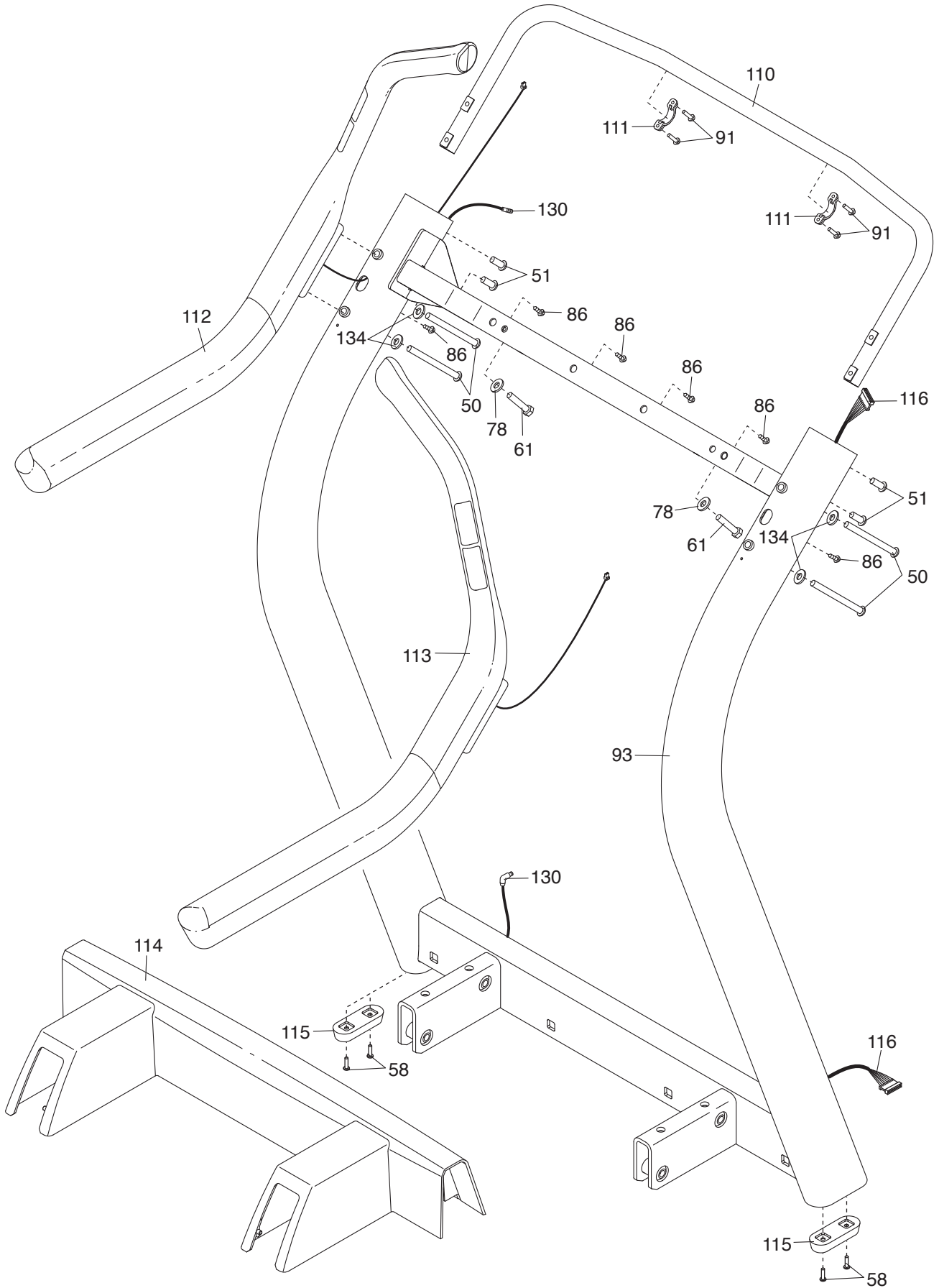
# EXPLODED DRAWING B

Model No. FMTK74810.14 R0417A



# EXPLODED DRAWING C

Model No. FMTK74810.14 R0417A



# EXPLODED DRAWING D

Model No. FMTK74810.14 R0417A

