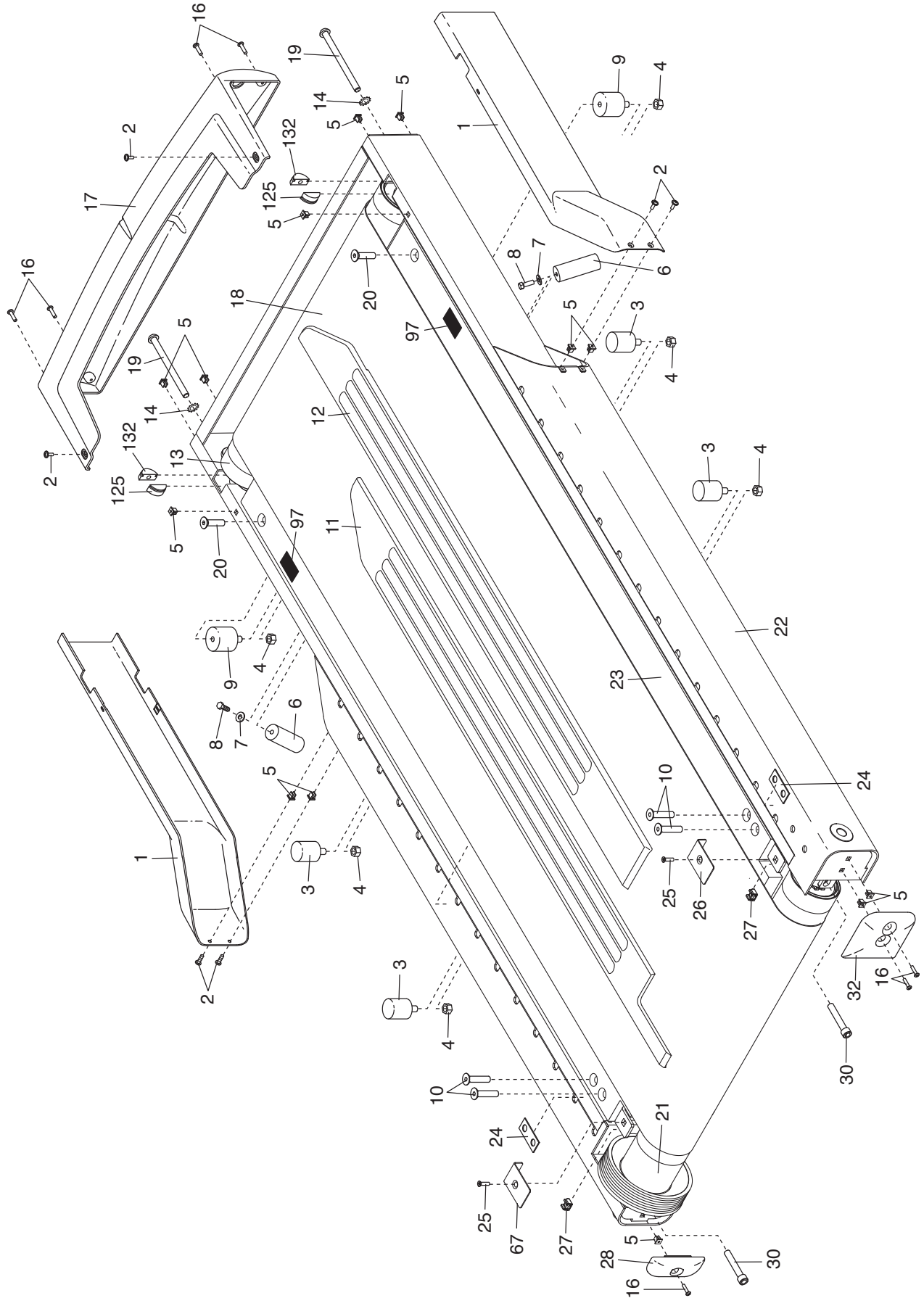


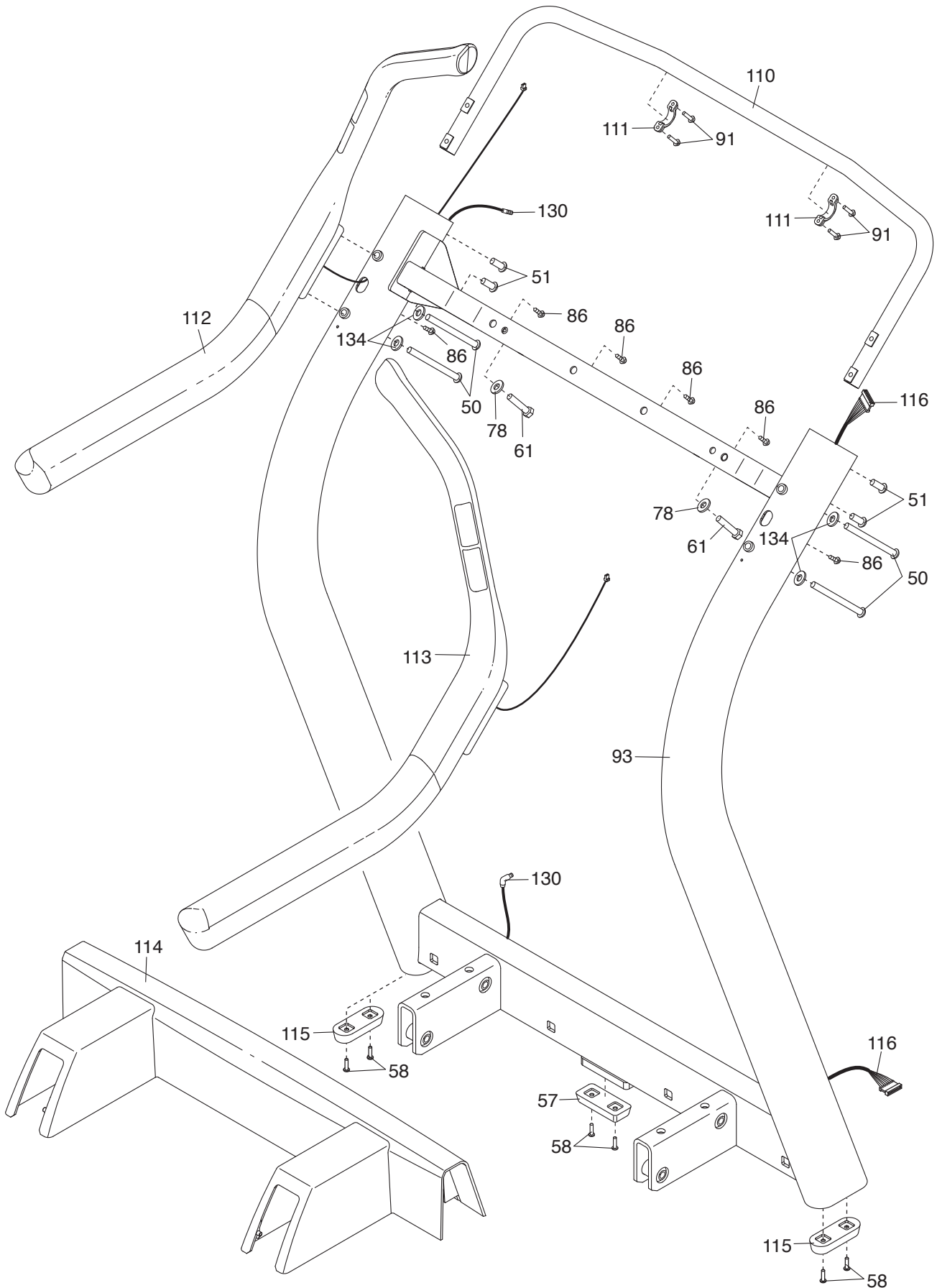
EXPLODED DRAWING A

Model No. FMTK74810.10 R0814A



EXPLODED DRAWING C

Model No. FMTK74810.10 R0814A



EXPLODED DRAWING D

Model No. FMTK74810.10 R0814A

