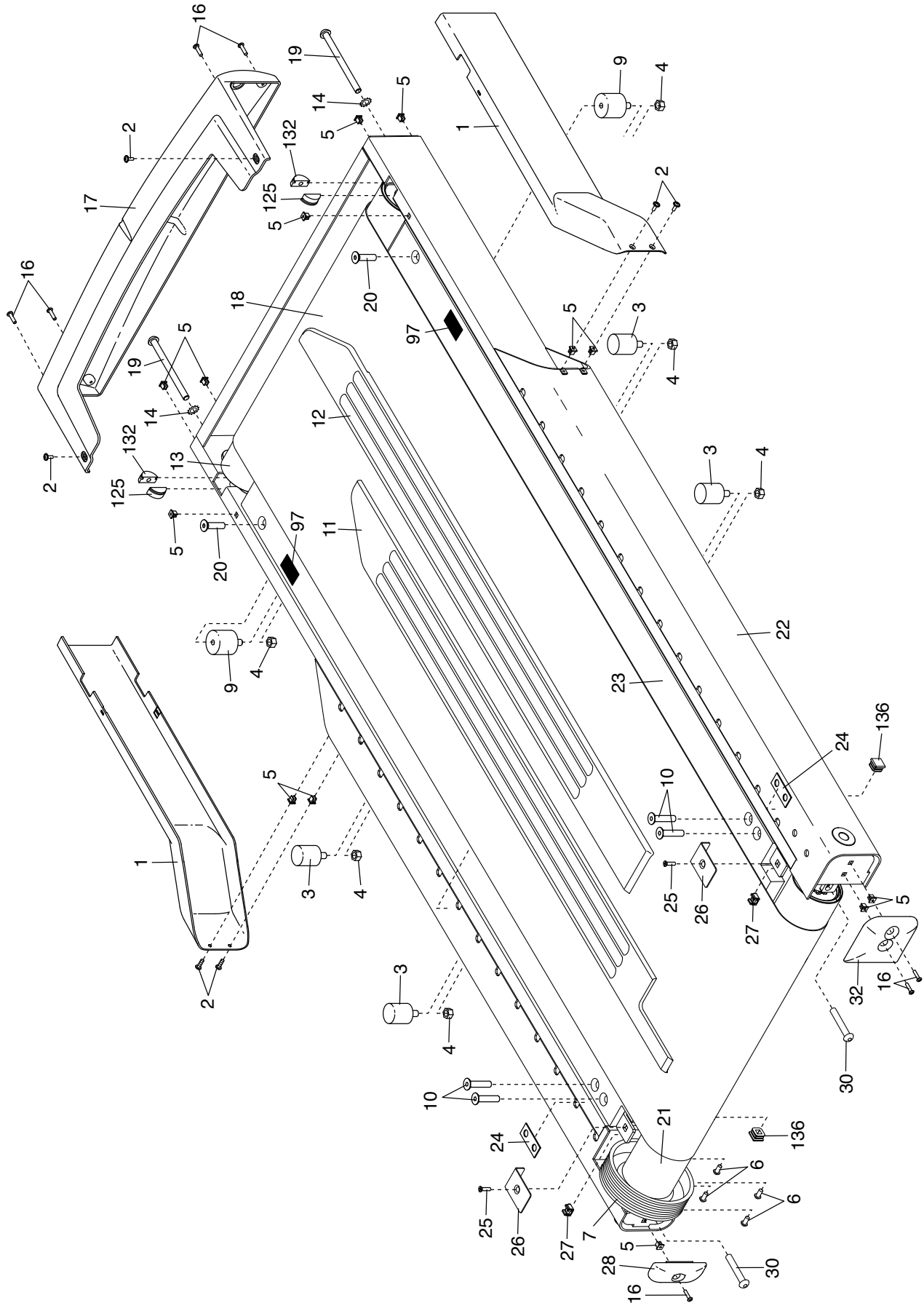


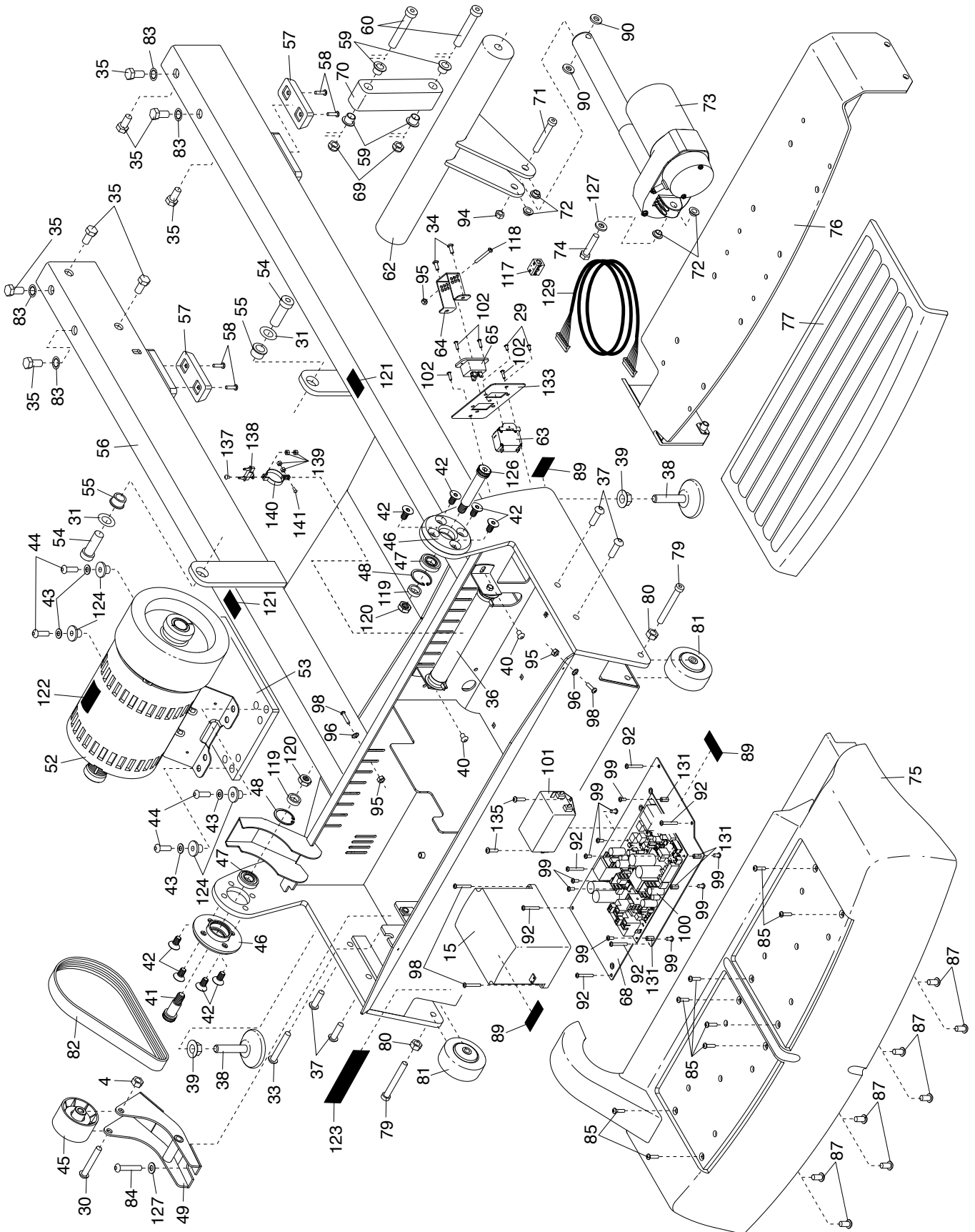
EXPLODED DRAWING A

Model No. FMTK74810.15 R0717A



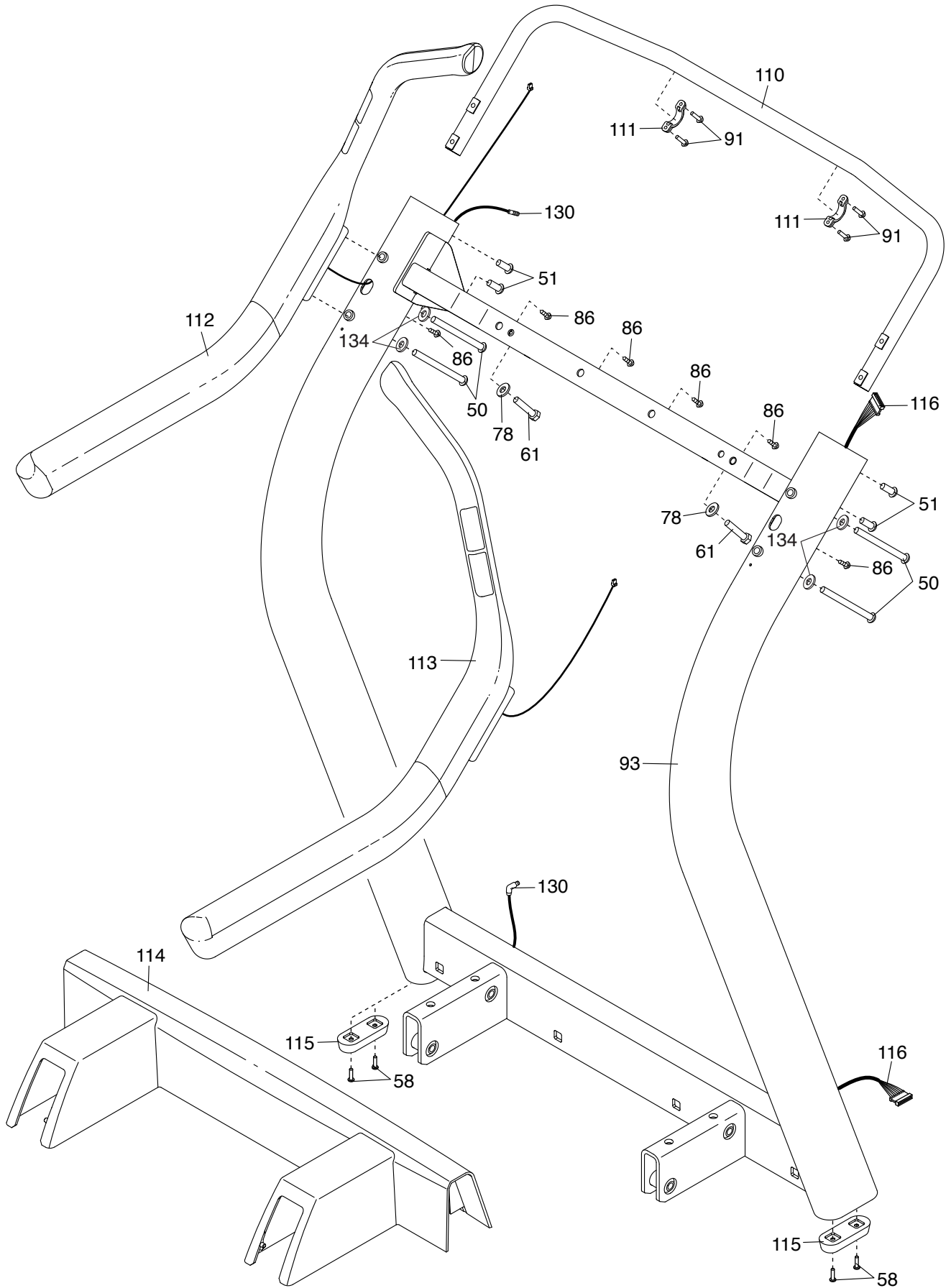
EXPLODED DRAWING B

Model No. FMTK74810.15 R0717A



EXPLODED DRAWING C

Model No. FMTK74810.15 R0717A



EXPLODED DRAWING D

Model No. FMTK74810.15 R0717A

