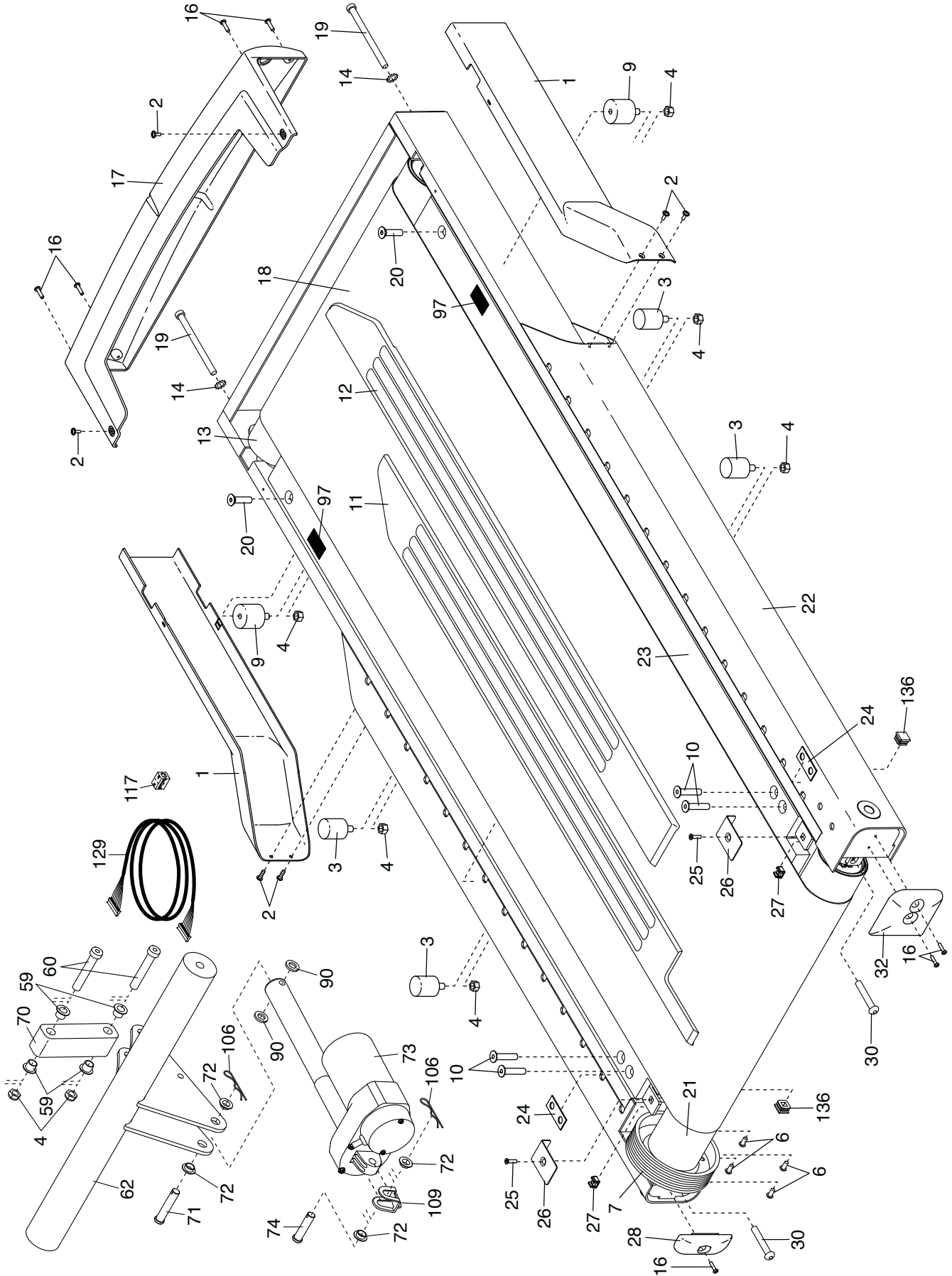


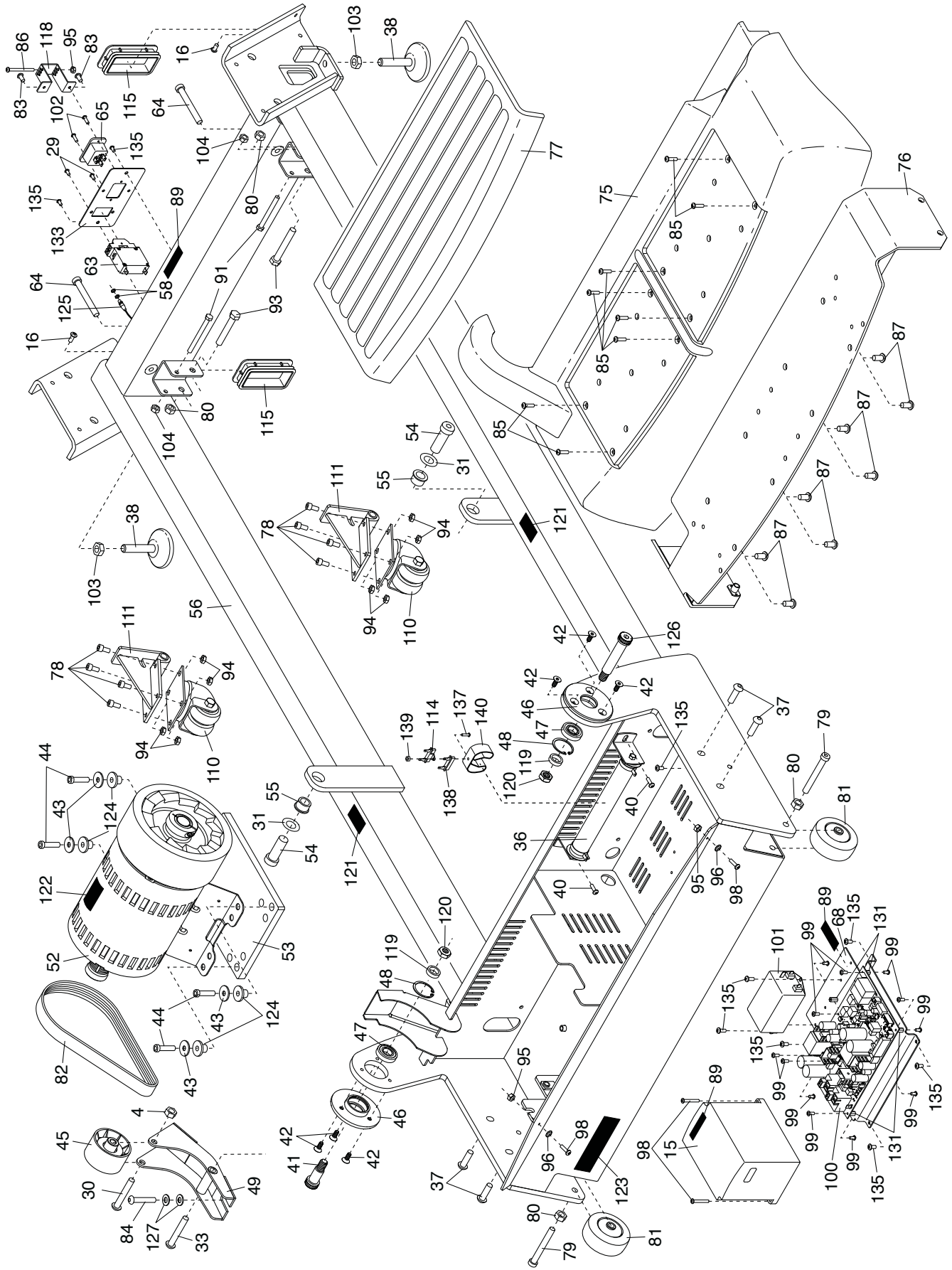
EXPLODED DRAWING A

Model No. FMTK74817-INT.0 R0218A



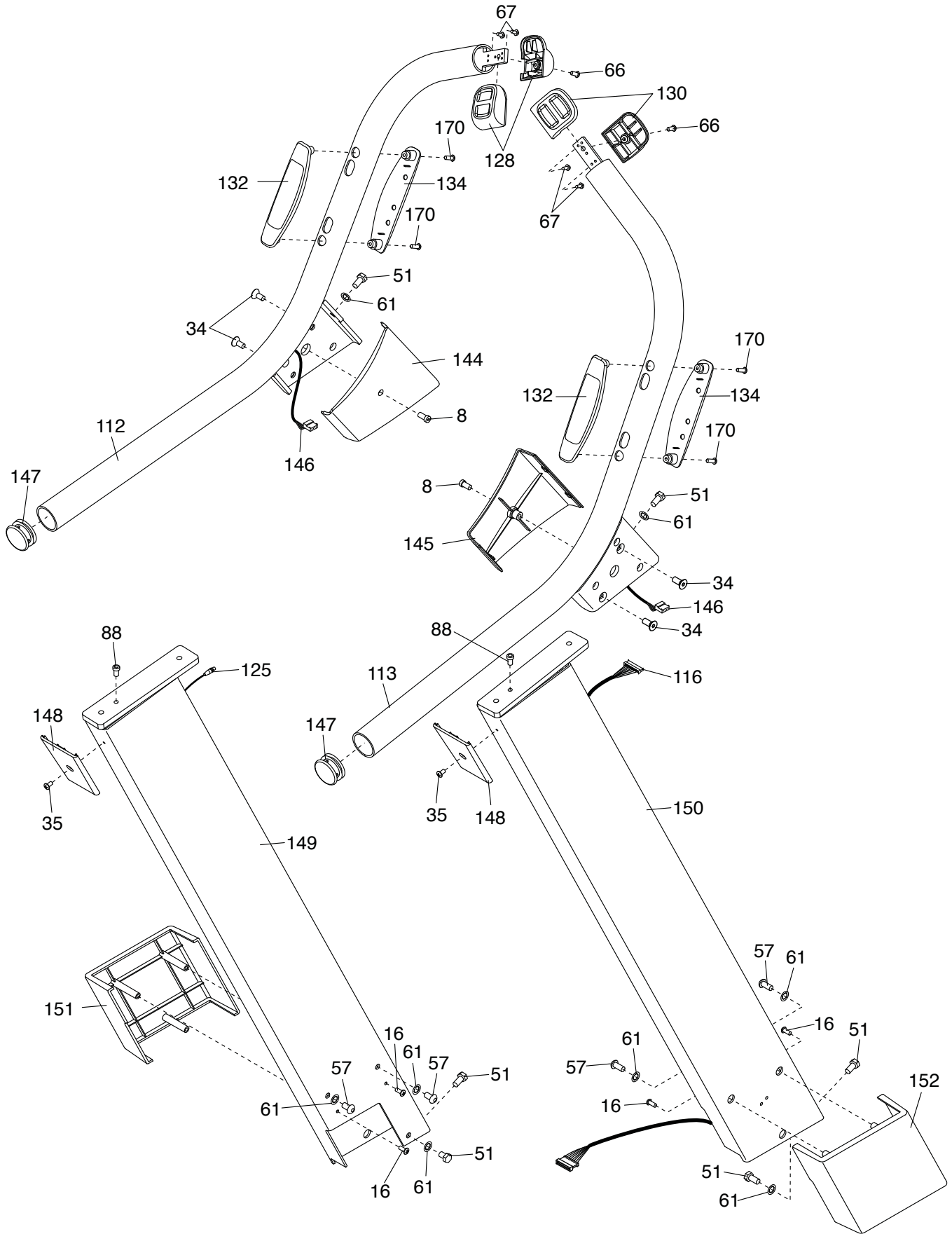
EXPLODED DRAWING B

Model No. FMTK74817-INT.0 R0218A



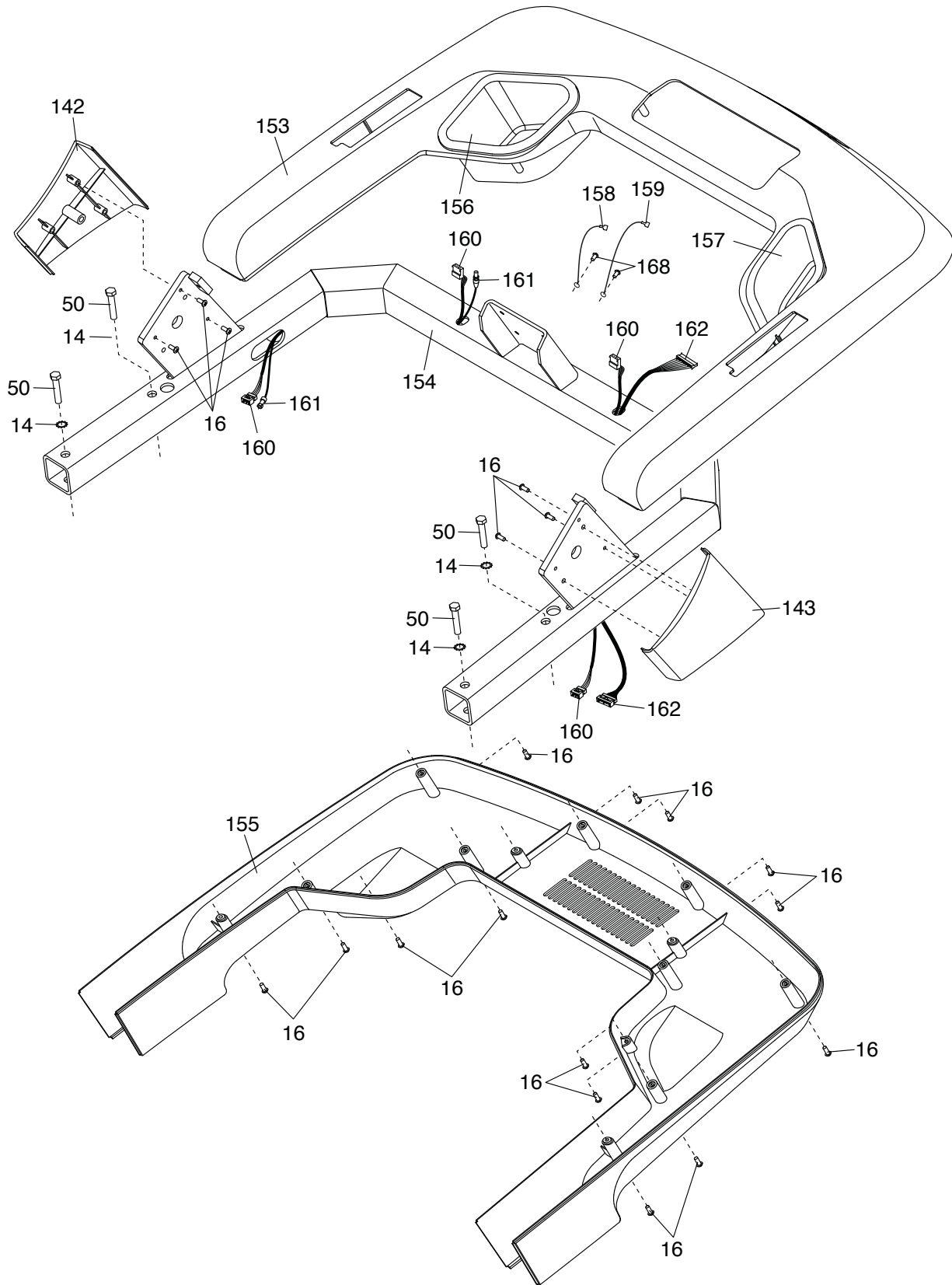
EXPLODED DRAWING C

Model No. FMTK74817-INT.0 R0218A



EXPLODED DRAWING D

Model No. FMTK74817-INT.0 R0218A



EXPLODED DRAWING E

Model No. FMTK74817-INT.0 R0218A

