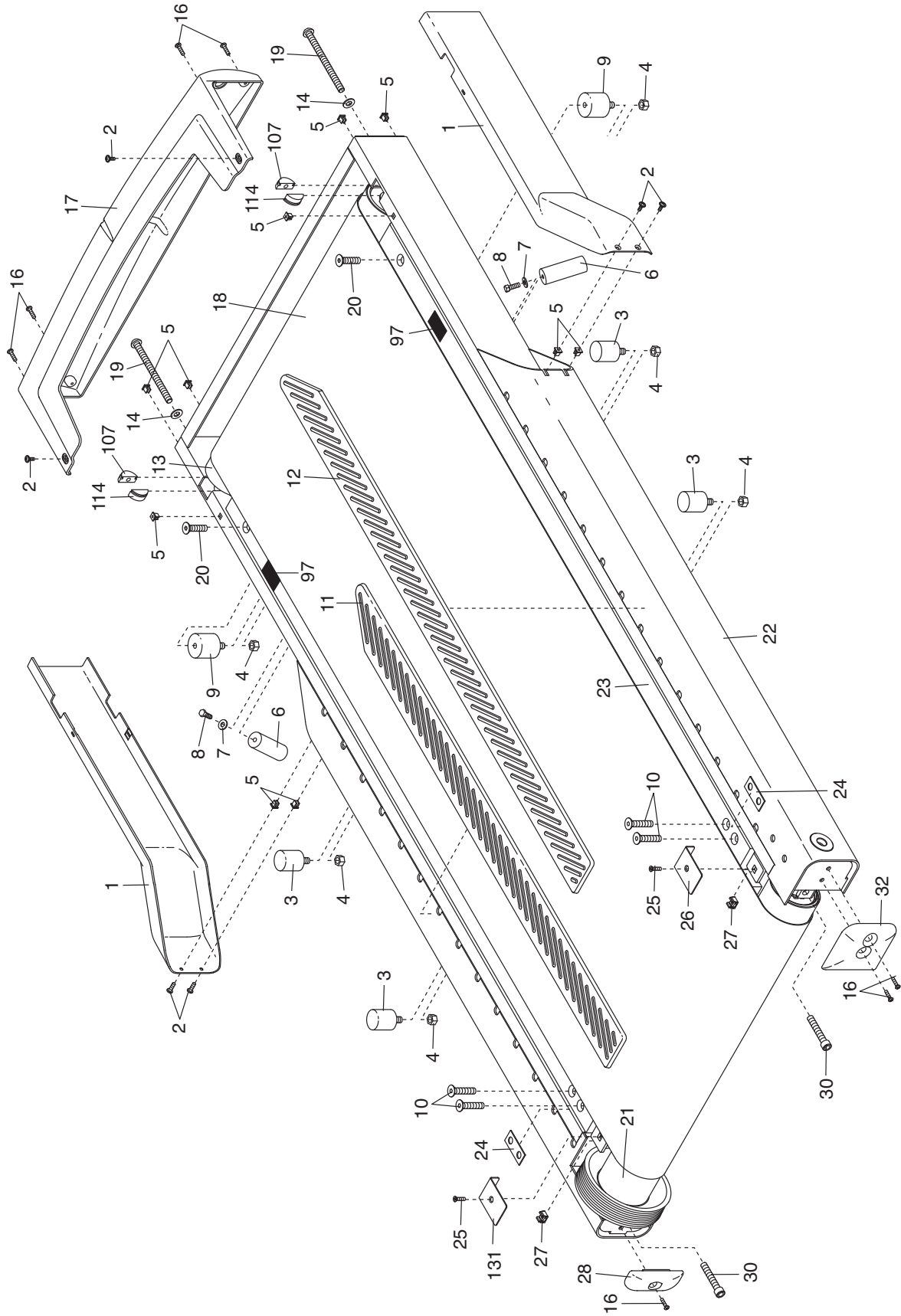


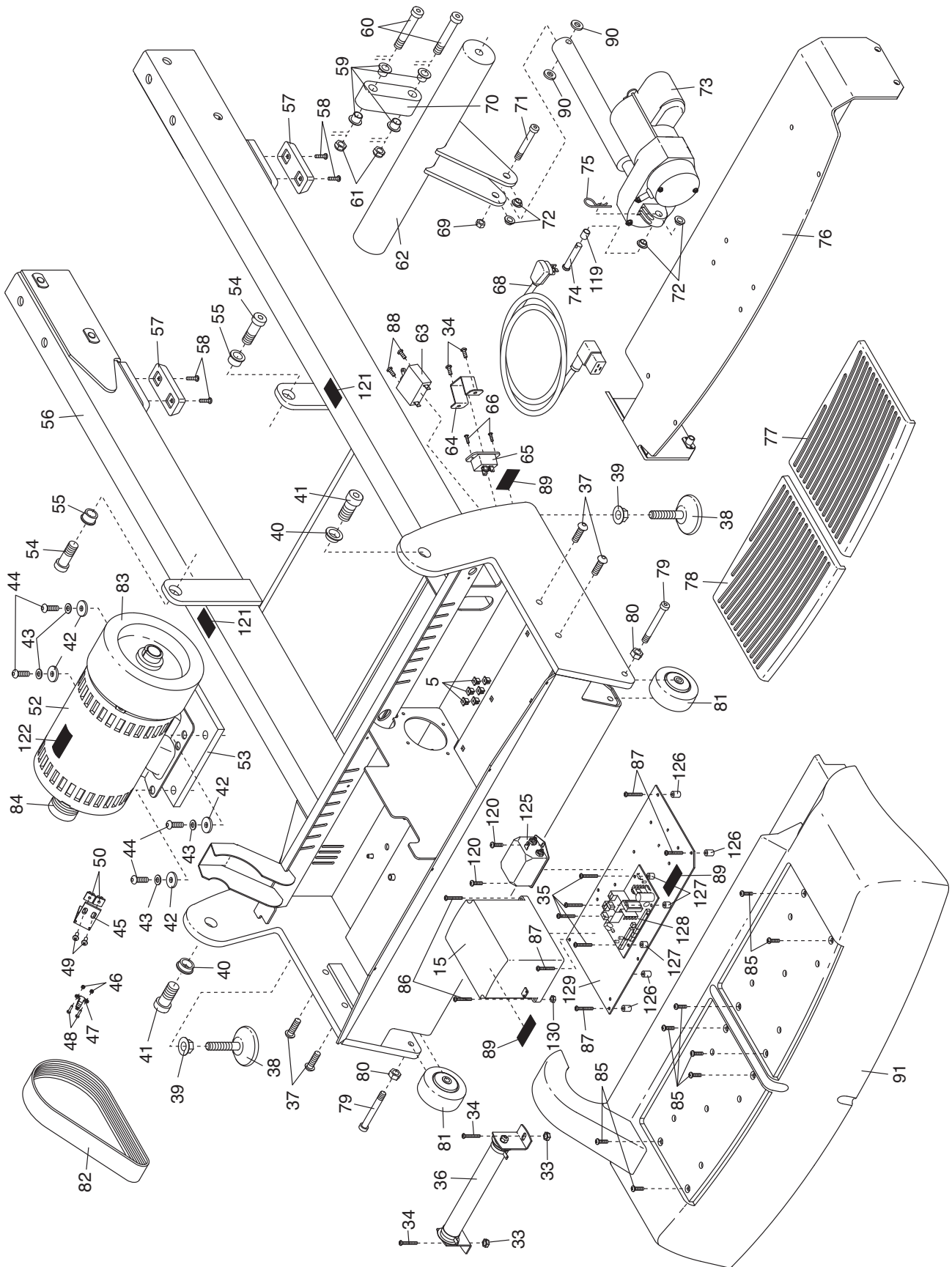
EXPLODED DRAWING A— Model No. FMTK7256P.3/FMTK7506P.3

R0909A



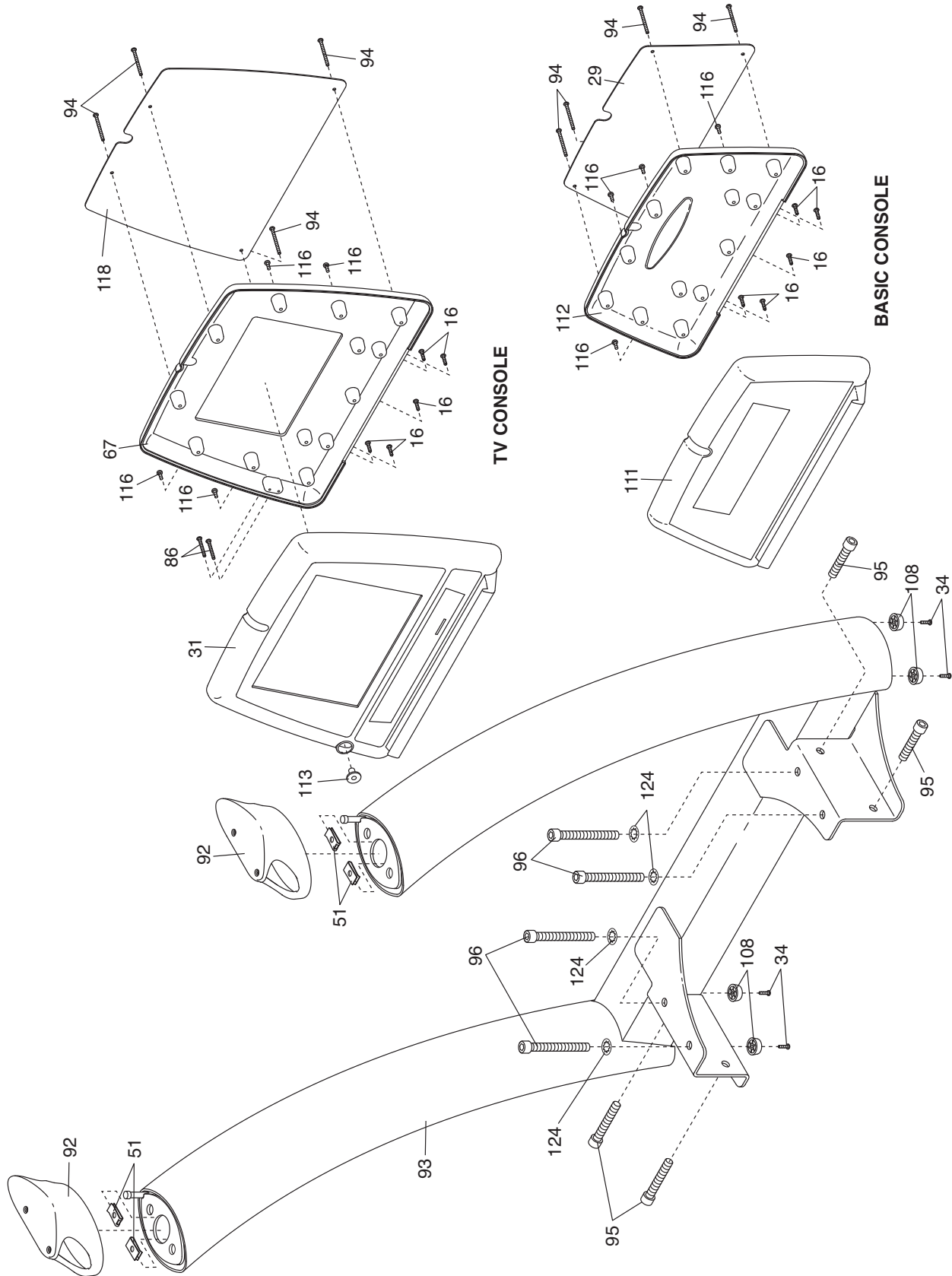
EXPLODED DRAWING B— Model No. FMTK7256P.3/FMTK7506P.3

R0909A



EXPLODED DRAWING C— Model No. FMTK7256P.3/FMTK7506P.3

R0909A



EXPLODED DRAWING D— Model No. FMTK7256P.3/FMTK7506P.3

R0909A

