

PART LIST – FMTK7256P.0/FMTK7506P.0

R1106A

To locate the parts listed below, see the EXPLODED DRAWING.

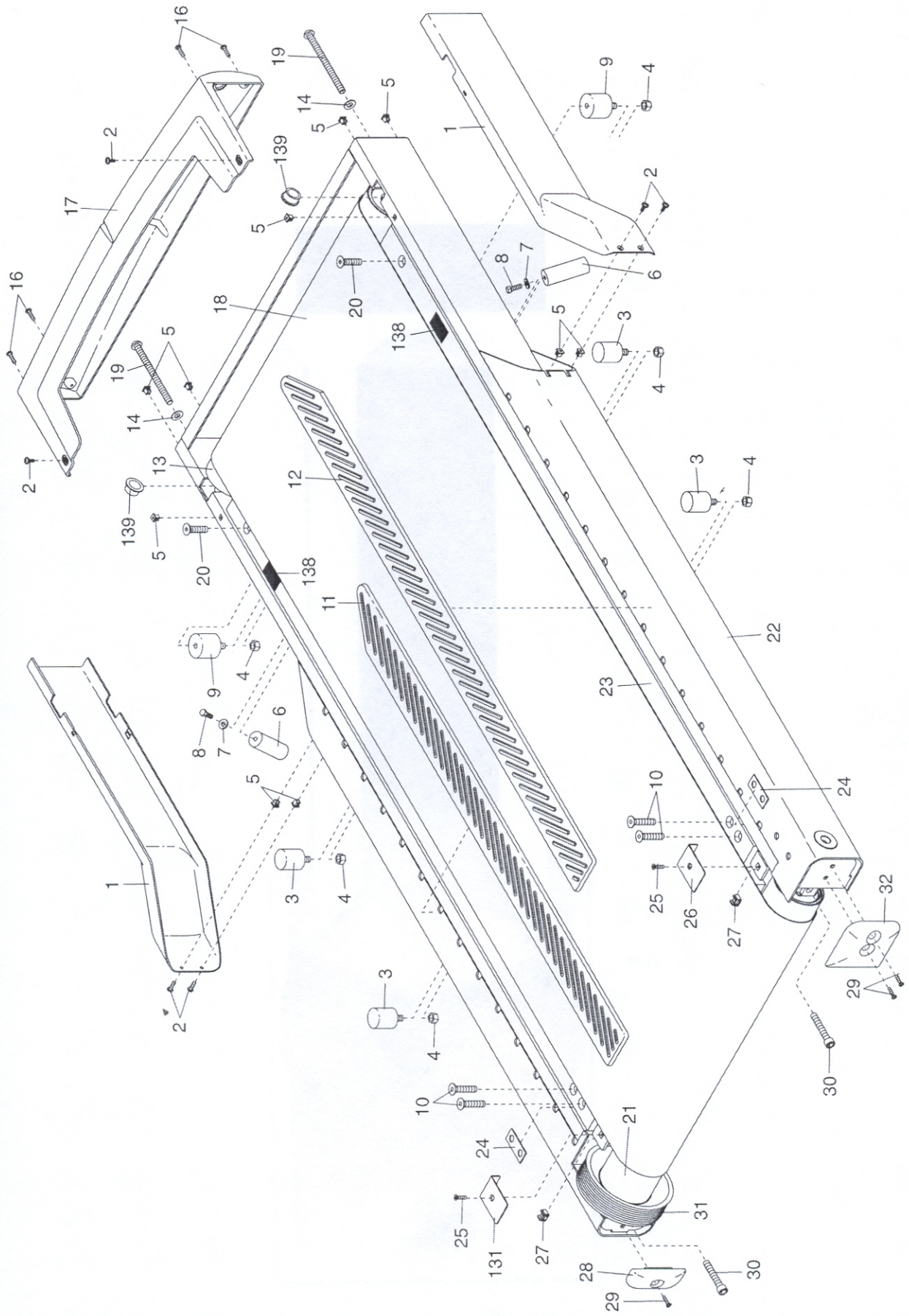
Key No.	Qty.	Description	Key No.	Qty.	Description
1	2	Side Cover	44	4	Drive Motor Bolt
2	6	Cover Screw	45	1	Sensor Bracket
3	4	Center Isolator	46	2	Speed Sensor Nut
4	6	Isolator Nut	47	1	Speed Sensor
5	18	Plastic Insert	48	2	Speed Sensor Bolt
6	2	Belt Guide	49	2	Sensor Bracket Bolt
7	2	Belt Guide Spacer	50	2	Sensor Bracket Insert
8	2	Belt Guide Bolt	51	1	Speed Disk
9	2	Front Isolator	52	1	Drive Motor
10	4	Walking Platform Bolt, Rear	53	1	Drive Motor Isolator
11	1	Left Foot Pad	54	2	Torsion Bar Bolt
12	1	Right Foot Pad	55	2	Torsion Bar Bushing
13	1	Front Roller	56	1	Base Frame
14	2	Front Roller Washer	57	2	Base Frame Pad
15	1	Controller Box	58	4	Base Frame Pad Screw
16	4	Front Cover Screw	59	4	Incline Link Bushing
17	1	Front Cover	60	2	Incline Link Bolt
18	1	Walking Belt	61	2	Incline Link Nut
19	2	Front Roller Adjustment Bolt	62	1	Torsion Bar
20	2	Walking Platform Bolt, Front	63	1	On/Off Circuit Breaker
21	1	Drive Roller Assembly	64	1	Power Cord Bracket
22	1	Frame	65	1	Power Cord Receptical
23	1	Walking Platform	66	2	Receptical Bolt
24	2	Plastic Platform Spacer	67	2	Power Cord Bracket Screw
25	2	Rear Roller Guard Screw	68	1	Power Cord
26	1	Right Rear Roller Guard	69	1	Torsion Bar Pivot Nut
27	2	Cage Nut	70	1	Incline Link Bar
28	1	Left Rear Endcap	71	1	Torsion Bar Pivot Bolt
29	3	Endcap Screw	72	2	Incline Motor Bushing
30	2	Rear Roller Adjustment Bolt	73	1	Incline Motor
31	1	Rear Roller/Pulley	74	1	Incline Motor Pin
32	1	Right Rear Endcap	75	1	Cotter Pin
33	2	1/4" Stand-off	76	1	Hood Support Bracket
34	2	#10 x 1/2" Screw	77	1	Right Hood Cover
35	10	.188" Screw	78	1	Left Hood Cover
36	1	Resistor	79	2	Wheel Bolt
37	4	Hood Support Bolt	80	2	Hex Nut
38	2	Rear Leveling Foot	81	2	Wheel
39	2	Leveling Foot Nut	82	1	Drive Motor Belt
40	2	Frame Pivot Bushing	83	1	Drive Motor Flywheel
41	2	Frame Pivot Bolt	84	1	Drive Motor Pulley
42	4	Drive Motor Spacer	85	8	Hood Screw
43	4	Drive Motor Washer	86	1	Power Box Plate

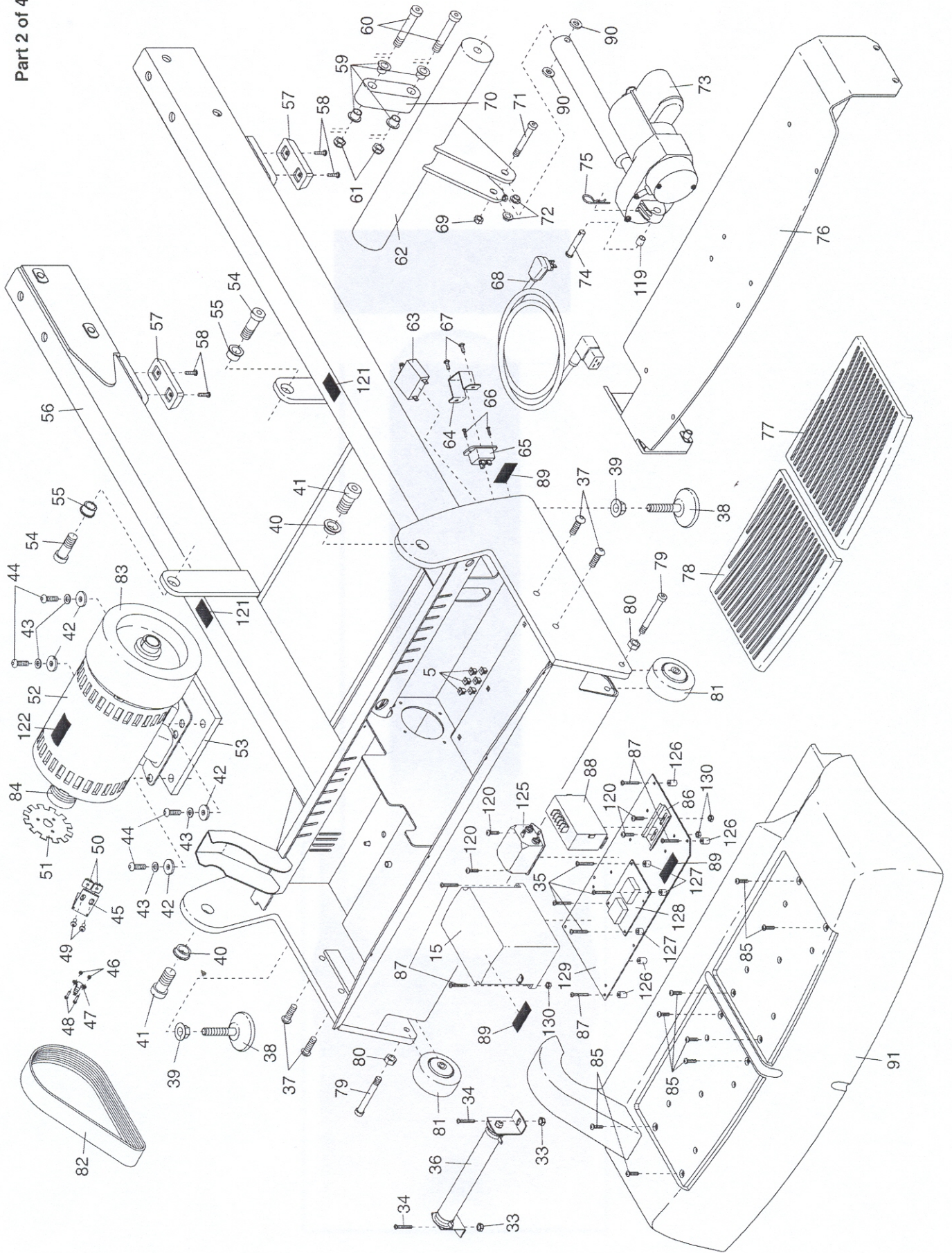
Key No.	Qty.	Description	Key No.	Qty.	Description
87	8	Electronics Screw	135	1	Basic Console Plate
88	1	Power Box	136	1	TV Console
89	3	High Voltage Decal	137	1	TV Console Back
90	2	Incline Motor Bushing	138	4	Deck Maintenance Decal
91	1	Motor Hood	139	2	Roller Bushing
92	2	Upright Cap	#	1	Console/Matrix Wire Harness
93	1	Upright	#	1	20" Wire Harness
94	4	Console Plate Screw	#	1	Pulse Grip Wire Harness
95	4	Side Base Bolt	#	1	Pulse Wire Harness
96	4	Top Base Bolt	#	1	Pulse Circuit Board
97	4	Upright Pad Screw	#	1	CSAFE Circuit Board
98	4	Pulse Sensor	#	1	Main PCB Circuit Board
99	4	Pulse Sensor Screw	#	1	Ferrite Clamp
100	4	Pulse Sensor Base	#	1	Pulse EKG Decal
101	2	Grip	#	1	45" TV Cable
102	4	Handrail Bolt	#	1	65" TV Cable
103	1	Handrail	#	3	Jack to Jack CAT5 Wire
104	2	Handrail Endcap	#	1	36" TV CAT5 Wire
105	1	Key/Clip	#	2	72" TV CAT5 Wire
106	4	Accessory Tray Mounting Screw	#	1	Console Controller Assembly
107	6	Accessory Tray Screw	#	1	10" Green/Yellow Wire
108	4	Upright Base Pad	#	1	24" Green/Yellow Wire
109	1	Left Accessory Tray	#	2	8" 14AWG Green/Yellow Wire
110	1	Right Accessory Tray	#	2	8" 12AWG Green/Yellow Wire
111	1	Basic Console	#	1	7 & 8 Pin Wire Harness
112	1	Basic Console Back	#	1	8" 12AWG Black Wire
113	1	Audio Jack	#	1	4" 12AWG White Wire
114	5	Display Mounting Screw	#	1	6" 14AWG Black Wire
115	1	Console	#	1	5" 14AWG Blue Wire
116	12	Console Screw	#	1	Lift Motor Wire
117	1	Console Back	#	1	4" 14AWG Red Wire
118	1	TV Console Plate	#	1	4" 14AWG Black Wire
119	1	Incline Motor Spacer	#	1	4" 14AWG White Wire
120	4	1/2" Electronics Screw	#	1	26" 14AWG Blue Wire
121	2	Caution Decal	#	1	16" 14AWG Blue Wire
122	1	Hazardous Warning Decal	#	1	6" 12AWG Blue Wire
123	1	Warning Decal	#	1	6" 14AWG White Wire
124	4	1/2" Star Washer	#	1	14/14 Blue Wire
125	1	Filter	#	1	14/14 White Wire
126	6	1/2" Stand-off	#	1	12/18 Blue Wire
127	5	Tall Stand-off	#	1	12/18 White Wire
128	1	Relay Board	#	1	7" Filter Wire
129	1	Electronics Board	#	1	Console Adapter
130	6	Lock Nut	#	1	14WG Wire M/R
131	1	Left Rear Roller Guard	#	1	12" Wire Harness
132	2	Audio Tack Screw	#	1	Mov Circuit Board
133	1	Console Back Star Washer	# These parts are not illustrated		
134	1	3/4" Console Back Screw	Specifications are subject to change without notice.		

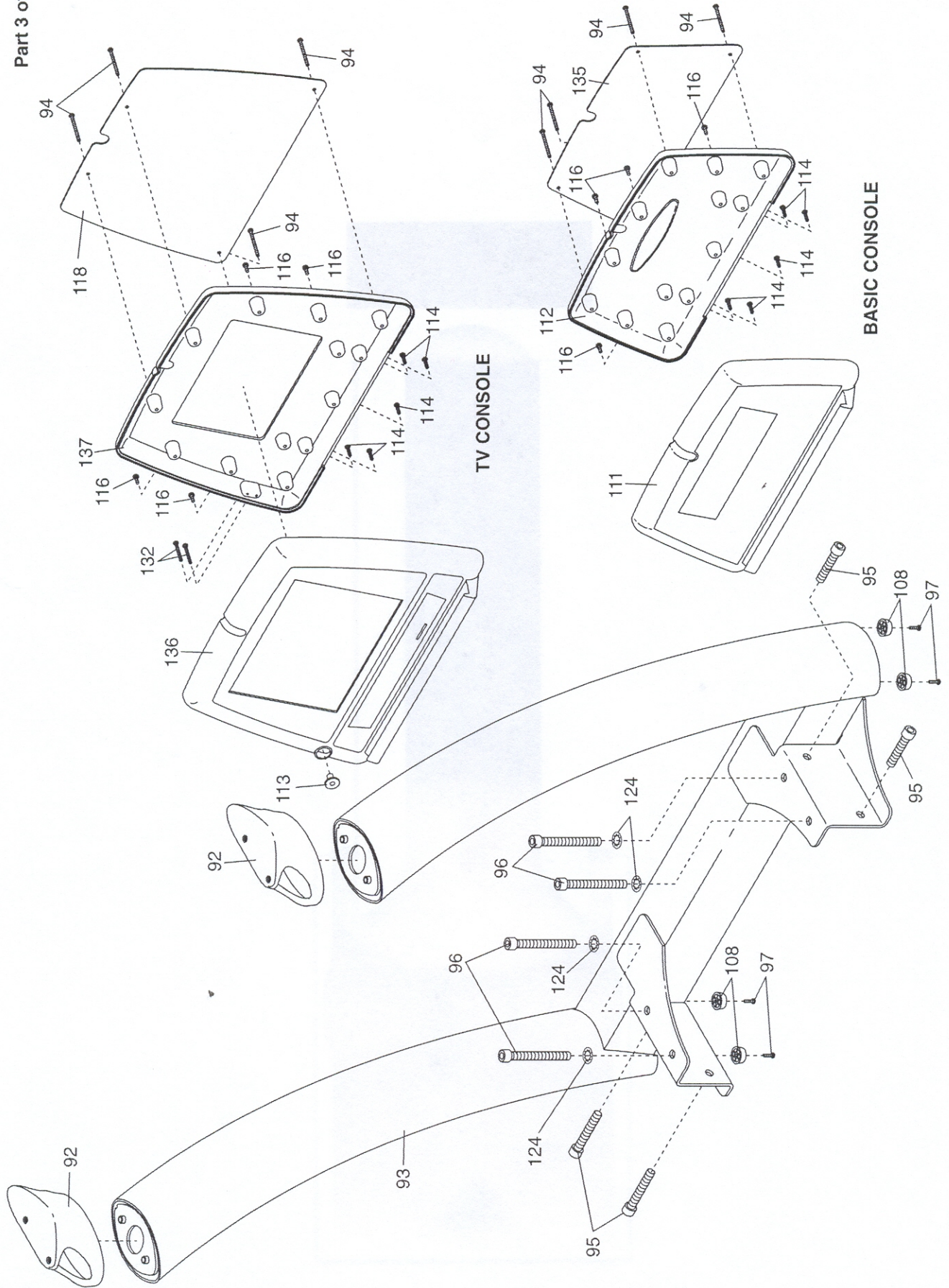
EXPLODED DRAWING- FMTK7256P.0/FMTK7506P.0

R1106A

Part 1 of 4







TV CONSOLE

BASIC CONSOLE

